

Bowers & Wilkins

PI5
Wireless
Headphones

Welcome to Bowers & Wilkins and PI5

Thank you for choosing Bowers & Wilkins. When John Bowers first established our company, he did so in the belief that imaginative design, innovative engineering and advanced technology were keys that could unlock the enjoyment of audio in the home.

PI5 is a high performance in-ear headphone designed to deliver the highest quality mobile personal audio experience combined with the convenience of wireless operation and the serenity of noise-cancellation. This manual will tell you everything you need to know to get the most from your PI5 headphones.

Your PI5 can play music streamed wirelessly from your mobile phone, tablet or computer via Bluetooth. PI5 can also be used for wireless telephony.

PI5 Real World Listening features include our latest innovations in Adaptive Noise Cancellation, Ambient Pass-Through and enhanced Wear Sensing technologies. Our latest generation noise cancellation feature was designed from the ground up with intelligent environment sensing capabilities, automatically selecting the appropriate type of noise cancellation best suited to your surrounding environment, its only goal is to deliver an uncompromised listening experience. Ambient Pass-Through enables external sounds, such as conversation or safety announcements, to be heard clearly without any need to remove the headphones. The Wear Sensing feature enables PI5 to respond naturally, pausing and resuming the music simply by lifting either earpiece on or off your ear. These features can be enabled and further customised via the Bowers & Wilkins Headphone App available for free on iOS and Android devices.

PI5 incorporates a rechargeable battery case. When fully charged, depending on the degree of Bluetooth, Adaptive Noise Cancellation and Ambient Pass-Through use, the battery case can provide up to 20 hours of continuous wireless media streaming with noise cancellation enabled at average playback volume levels.

1. PI5 Carton Contents

PI5 Headphones with Ear Tips (M)
 Charging Case
 USB-C Charging Cable
 Ear Tips (S/L)
 Literature Pack

2. Getting to know your PI5

2.1 Switching Headphones On and Off

Switching On/Off

PI5 does not have a power control, instead the power management is automatic. Your PI5 earbuds will automatically charge when placed into the charging case, and will be ready to use when they are removed from the case.

When your earbuds are removed from the charging case, and not used for 5 minutes, they will enter a power saving mode. To exit power saving mode, start using the earbuds again by connecting your paired device, streaming audio or placing the earbuds into your ears.

2.2 Headphone Controls

Each earbud has a Multi-function button located on the top cap of the earbud, see Diagram 1. The Multi-function button controls are as follows:

Media Playback:

Function	Action
Play or pause	Press the Multi-function button once.
Play to next track	Press the Multi-function button twice in quick succession.
Play previous track	Press the Multi-function button three times in quick succession.

Phone call functionality:

Function	Action
Answer call	Press the Multi-function button once with incoming call.
End call	When incoming call occurs, press the Multi-function button twice in quick succession.
Decline an incoming call	Press the Multi-function button twice in quick succession with incoming call.

3. Intelligent Features

3.1 Adaptive Noise Cancellation

Noise cancellation is a series of advanced technologies that aids in removing undesired noise from the surrounding environment.

PI5 features our latest innovations in adaptive noise cancellation, this includes intelligent sensing that adapts noise cancellation and tuning best suited to your surrounding environment. As your surroundings change, noise cancellation will auto adapt to complement your new environment.

The noise cancellation features is activated by pressing the left (L) earbud Multi-function button for 1 second, additional 1 second presses cycle through the modes: On, Auto or Off. See Diagram 2 for button location.

Mode	Application
On	Removes undesired noise from the surrounding environment.
Auto	Intelligently adapts noise cancellation best suited to your current environment.
Off	Turns off the noise cancellation feature.

3.2 Voice Assistance

Voice Assistance is activated by pressing the right (R) earbud Multi-function button for 1 second. See Diagram 2 for button location.

3.3 Ambient Pass-Through

PI5 features ambient pass-through which lets some external noise from the surrounding environment, such as safety announcements or conversations, to be heard without taking the headphones off.

Ambient pass-through can be enabled or disabled through Bowers & Wilkins headphone App. The level of ambient pass-through, High/Low/Off, can be adjusted to suite your needs through the App.

3.4 Wear Sensors

PI5 incorporate our latest enhanced wear detection sensors in both earbuds. The sensors enable intelligent battery conservation by entering power saving mode when removed from the ears. When worn again, PI5 automatically wakes and connects to the last connected Bluetooth device.

The sensors will also pause audio when the earbuds are removed from your ears. Playback will auto resume when the earbud is placed back in the ear. Auto resume has been further optimised so it is ready only when you are.

Wear sensor can be turned off from the Bowers & Wilkins Headphone App.

Note: Take special care when wearing your earphones, hair or accessories trapped between your ears and the earbuds may interfere with proximity sensing.

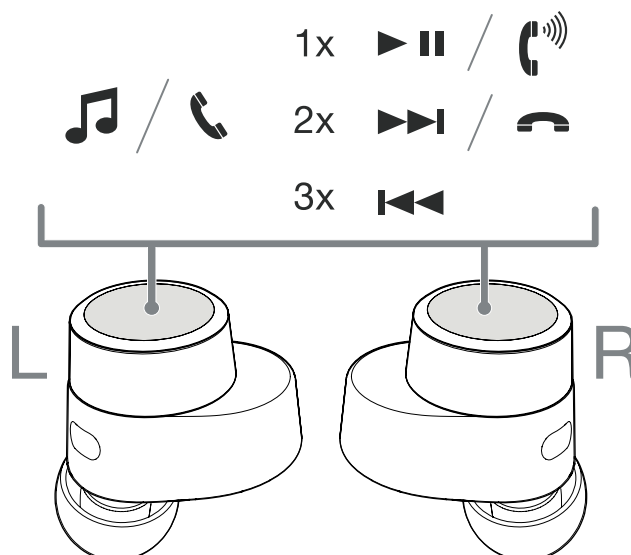


Diagram 1
Multi-function button

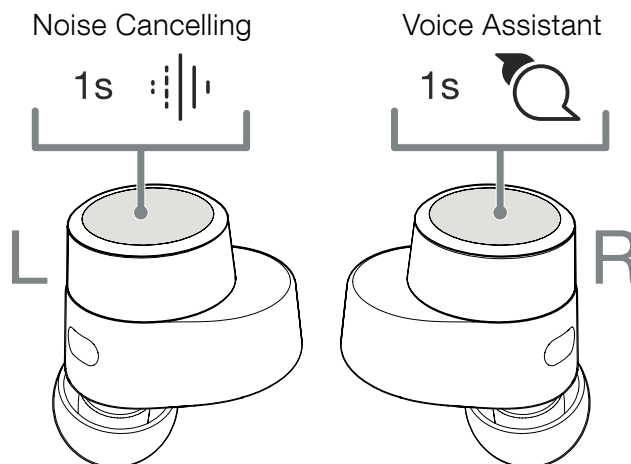


Diagram 2
Headphone controls

4. Stowing the Earbuds

When not in use, the PI5 earbuds should be stored inside the charging case where they will be recharged ready for future use.

5. Battery Charging

PI5 ships with the case and earbud batteries partially charged and may be used immediately. For best practice we recommend fully charging the earbuds before first use. Please allow up to 3 hours for full charge.

To charge the PI5 earbuds:

1. Place the PI5 earbuds in the charging case.
2. Close the charging case lid.

To charge the PI5 charging case:

1. Use the supplied USB charging cable and connect the USB plug to a USB wall charger or a powered computer USB socket.
2. Then connect the USB-C end to the charging case USB-C socket.

Note: During charging, the case indicator will blink green. When fully charged, the indicator will remain illuminated. The case can be charged with or without the earbuds being housed inside the case.

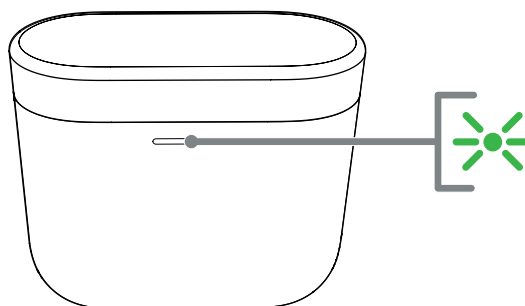
To charge the PI5 case with a wireless charging station:

1. Place the charging case onto a wireless charging station.
2. Ensure that the rear of the charging case is on the charging station (with the case indicator facing up).

Note: During charging, the case indicator will blink green. When fully charged, the indicator will remain illuminated.

5.1 Status Indicator

The status indicator is located on the front of the case. When the earbuds are placed in the case the LED provides information about the earbuds. When the earbuds are removed from the case the LED provides information on the charging case. See Diagram 3 for LED states.



With the earbuds in the charging case

Illumination		Operational state
Green (case lid open)		Earbud battery charge > 40%
Yellow (after power on)		Earbud battery charge >20%, <40%
Red (after power on)		Earbud battery charge <20%
Red (blinking)		Earbud factory reset
Red (solid)		Hardware reset / system crash
Blue (blinking)		Pairing mode enabled
Blue (3 sec solid)		Pairing successful

With the earbuds removed from the charging case

Illumination		Operational state
Green (case lid open)		Battery charging > 40%
Yellow (after power on)		Battery charging >20%, <40%
Red (after power on)		Battery charging <20%
Red (blinking)		Factory reset
Red (solid)		Hardware reset / system crash

Diagram 3
Status indicator illuminations

6. Bluetooth Connectivity

6.1 Pairing

Your PI5 earphones are designed to stream music wirelessly from Bluetooth audio devices, such as smartphones, tablets, or computers. To do so, the earphones and device must first be paired.

When you receive your PI5 earphones they will be ready to pair to any Bluetooth audio device.

6.1.1 iOS System / Android System without Google FastPair.

1. Download the Bowers & Wilkins Headphone App.
2. Open the case lid, the case indicator will flash blue.
3. Go to the Bluetooth pairing menu of your device and select the "Bowers & Wilkins PI5" from the device list.
4. The case indicator will change to solid blue to indicate pairing is successful.
5. Open the Bowers & Wilkins app and add the headphones.

Note: Your earphones will automatically exit Bluetooth pairing mode if no device is paired within 5 minutes. If pairing fails, the indicator will rapid flash blue, please try pairing again.

To pair to a subsequent device. See Diagram 4:

1. Open the case lid with the earbuds placed inside the case.
2. Press and hold the button inside the case for between 1 and 5 seconds, the case indicator will flash blue.
3. Go to the Bluetooth pairing menu of your new device and select the "Bowers & Wilkins PI5" from the device list.
4. The case indicator will change to solid blue to indicate pairing is successful.

PI5 can remember up to 4 paired Bluetooth Devices. Repeat the above steps to pair more devices.

Note: Your earbuds will automatically exit Bluetooth pairing mode if no device is paired within 5 minutes. If pairing fails, the indicator will rapid flash blue, please try pairing again.

6.1.2 Google FastPair (For Android System integrated with GFP Feature)

To add your headphones:

1. Place the case no further than 10cm (4 inches) away from Android device (BT enabled) and open the PI5 case lid.
2. A GFP (Google FastPair) notification window will pop up showing "Bowers & Wilkins PI5 detected" and request to start the pairing process.
3. Press "Notification" button on the window to enable the pairing, successful connection will be shown in GFP window.
4. Once paired:
 - o GFP window will direct you to the Google Play store to download and Install the Bowers & Wilkins App.
 - o L/R Earbud and case Battery Level can be seen on the GFP window

6.2 Disconnect from a Device

You can quickly disconnect PI5 from a device by putting the earbuds back to the case. Alternatively, you can manage connection in further detail using the Bowers & Wilkins Headphones app under Connections.

6.3 App features

The Bowers & Wilkins Headphones app provides extended setup and adjustments to features such as Adaptive Noise Cancellation, Ambient Pass-Through, and Wear Sensors. The app also provides further customisations such as voice prompt, level of ambient pass-through, connection management, and headphone software updates. The app is available as a free download on iOS and Android devices.

To add your headphones:

1. From your mobile device, download and install the Bowers & Wilkins Headphones app.
2. Launch the app, then read and follow the instructions pertaining app notification and permissions.
3. After reaching the main screen, simply tap + and following the in-app instructions.

6.4 Headphone Software Update

Bowers & Wilkins will occasionally make available software updates that refine and optimise the performance of your headphones or add new features.

The Bowers & Wilkins Headphones app will notify you when a software update is available, tap on the notification and follow the in-app instructions.

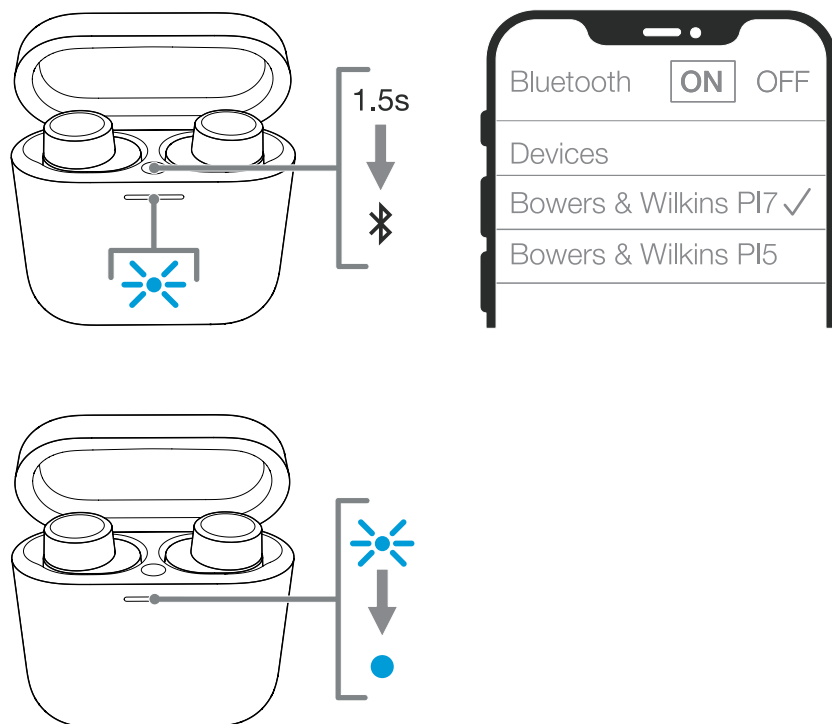


Diagram 4
Bluetooth pairing - subsequent device

7. Wearing Your Headphones

Wearing your headphones correctly will help ensure you get the best possible experience, see Diagram 5. Like many in-ear earphones, P15 earbuds are designed to seal the ear canal in order to perform optimally. Ear tips come in three sizes (small, medium and large). Finding the proper size for your ear is critical to obtaining a good seal and ensure P15, and the advanced features such as Adaptive Noise Cancellation, perform optimally.

1. Identify the left and right earbud by finding the L and R identification located on the inner side on each earbud.
2. Place the earbuds in your ear and twist the ear bud backwards slightly so that the tips engages comfortably with the opening of the ear canal.
3. If the earbud tip feels to large or small try another size ear tip to ensure the best possible fit.

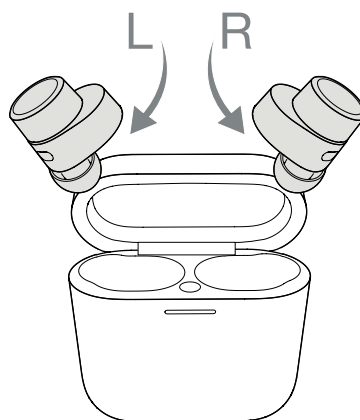
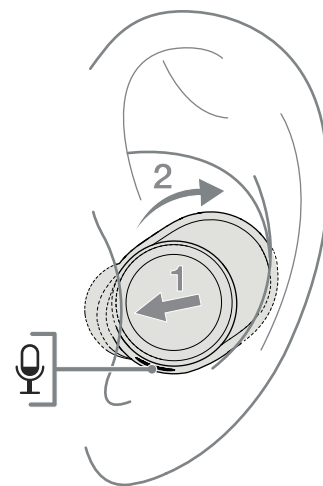


Diagram 5
Wearing your headphones



Note: To optimise call quality, please ensure the microphone located underneath the earbud is facing outward, see Diagram 5.

8. Reset/Troubleshooting

8.1 Factory Reset

You can clear the paired device history and restore all settings to their defaults.

To factory reset the earbuds, open the charging case with the earbuds placed inside. Press and hold the button on the inside of the case for 5 seconds and release. The indicator on the case will turn red to indicate the reset.

NOTE: In the case of earbuds are not functioning properly, please perform a factory reset to resolve the issue.

8.2 Hard Reset

To hard reset the earbuds, open the case with the earbuds placed inside. Press and hold the button inside the case for 15 seconds until LED indicator goes off and illuminates in green to indicate completion of hard reset process.

NOTE: For a serious system crash (solid red LED light), please perform a hard reset.

9. Caring For Your Earphones

Your earbuds can be cleaned by a damp cloth and gently dabbing until clean. Do not use cleaning detergents, rubbing alcohol, or chemical cleaners/polish, doing so may damage your earbuds

10. Service / Support

If you need help troubleshooting a specific problem, or simply have a question you would like answered, please initially consult the Headphone support section of the Bowers & Wilkins website: www.bowerswilkins.com.

Specifications

Technical Features	True Wireless technology Bluetooth 5.0 with AptX technology Auto ANC Wireless and USB-C charging Fast charging support
Bluetooth Codecs	AptX AAC SBC
Bluetooth Profiles	A2DP v1.3.1 AVRCP v1.6.1 HFP v1.7.1 HSP v1.2 BLE GATT (Generic Attribute Profile)
Frequency Band	Tx mode: 2402MHz to 2480MHZ, ISM Band, Rx mode: 2402MHz to 2480MHz, ISM Band
RF output power	<10.0 dBm
Drive Units	9.2mm Dynamic Drive
Frequency Range	10Hz to 20kHz
Distortion (THD)	<0.3% (1kHz/10mW)
Battery Life	Up to 4 hours Bluetooth
Charging	15 minute charging = 2 hrs Bluetooth
Inputs	Bluetooth
Weight	7g for earbuds, 47g for chargingcase

Bienvenue chez Bowers & Wilkins et au PI5

Merci d'avoir choisi Bowers & Wilkins. Quand John Bowers a créé notre entreprise, il l'a fait avec la conviction qu'un design imaginatif et innovant, ainsi que l'ingénierie et les technologies de pointe étaient les clés qui pourraient libérer le plaisir de l'audio à domicile.

Le PI5 est un casque intra-auriculaire haute performance conçu pour offrir la meilleure expérience audio personnelle mobile, combinée à la praticité du fonctionnement sans fil et à la sérénité offerte par la suppression du bruit ambiant. Ce manuel vous détaillera tout ce que vous devez savoir pour tirer le meilleur parti de votre casque PI5.

Votre PI5 peut diffuser de la musique sans fil à partir de votre téléphone mobile, tablette ou ordinateur via Bluetooth. Le PI5 peut également être utilisé pour la téléphonie sans fil.

Les fonctionnalités Real World Listening du PI5 intègrent nos dernières innovations en matière de réduction de bruit adaptative, de mode Ambient pass-through et de technologies améliorées de détection de port des écouteurs. Notre fonction d'annulation du bruit de dernière génération est entièrement nouvelle. Elle dispose de capacités de détection de l'environnement extérieur intelligentes, en sélectionnant automatiquement le type de suppression de bruit la plus appropriée et la mieux adaptée à ce qui est autour de vous. Son unique objectif étant de vous offrir une expérience d'écoute sans compromis. Le mode Ambient Pass-Through permet d'activer certains sons externes, tels que les conversations ou les annonces de sécurité, pour qu'ils puissent être entendus clairement sans qu'il soit nécessaire de retirer les écouteurs. La fonction de détection de port des écouteurs confère au PI5 une utilisation naturelle, en se mettant en pause et reprenant la musique juste en soulevant un écouteur ou en le retirant de votre oreille. Ces fonctionnalités peuvent être activées et personnalisées via l'application Bowers & Wilkins pour casques, disponible gratuitement sur les appareils iOS et Android.

Le PI5 dispose d'un boîtier de batteries rechargeables. Lorsqu'il est complètement rechargé, selon le degré d'utilisation du Bluetooth, de l'annulation adaptative de bruit et du mode Ambient, le boîtier peut offrir jusqu'à 20 heures d'autonomie d'utilisation en streaming sans fil en continu, avec la suppression de bruit active en fonction et à des niveaux de volume d'écoute moyens.

1. Contenu du carton PI5

Casque PI5 avec embouts auriculaires (M)
Boîtier de recharge
Câbles de chargement USB-C
Embouts auriculaires (S/L)
Ensemble de documentation

2. Familiarisation avec votre PI5

2.1 Allumer et éteindre le casque

Allumer/éteindre

Le PI5 n'a pas de commande de mise sous tension, celle-ci est automatique. Vos écouteurs PI5 se mettent en charge dès qu'ils sont placés dans le boîtier de recharge, et sont prêts à être utilisés lorsqu'ils sont retirés du boîtier.

Lorsque vos écouteurs sont ôtés du boîtier de charge et non utilisés pendant 5 minutes, ils passent en mode économie d'énergie. Pour les sortir de ce mode d'économie d'énergie, il suffit d'utiliser les écouteurs à nouveau en les connectant à votre appareil jumelé, ou en leur envoyant un flux audio en streaming, ou enfin en les insérant dans vos oreilles.

2.2 Contrôle des écouteurs

Chaque écouteur dispose d'un bouton multifonctions situé sur le capot supérieur de l'écouteur, voir Schéma 1. Les commandes de ce bouton multifonctions sont les suivantes :

Lecture multimédia :

Fonction	Action
Lecture ou pause	Appuyez une fois sur le bouton multifonctions.
Passer à la piste suivante	Appuyez sur le bouton multifonctions deux fois en succession rapide.
Lire la piste précédente	Appuyez sur le bouton multifonctions trois fois en succession rapide.

Communications téléphoniques :

Fonction	Action
Répondre à un appel	Appuyez sur le bouton multifonctions une fois pour prendre un appel entrant.
Fin d'appel	Lors d'un appel entrant, appuyez sur le bouton multifonctions deux fois de suite en succession rapide.
Refuser un appel entrant	Appuyez sur le bouton multifonctions deux fois de suite rapidement pour refuser un appel entrant.

3. Fonctionnalités intelligentes

3.1 Annulation adaptative du bruit

L'annulation du bruit ambiant consiste en une série de technologies qui aident à éliminer les bruits indésirables du milieu environnant.

Le PI5 dispose de nos dernières innovations en matière de réduction de bruit adaptatif, notamment la détection intelligente qui adapte la réduction du bruit et utilise le réglage le mieux adapté à l'espace qui vous entoure. Lorsque celui-ci change, le système de suppression de bruit s'adapte automatiquement à votre nouvel environnement.

Les fonctions d'annulation du bruit sont activées en appuyant sur le bouton multifonctions de l'écouteur gauche (L) pendant 1 seconde. En appuyant pendant 1 seconde supplémentaire, on bascule entre les modes On, Auto ou Off. Voir le Schéma 2 pour visualiser l'emplacement du bouton.

Mode	Application
On	Supprime les bruits indésirables du milieu environnant.
Auto	Adapte intelligemment la fonction de suppression du bruit pour qu'elle soit la mieux adaptée à votre environnement courant
Off	Désactive la fonction d'annulation du bruit.

3.2 Assistant vocal

L'assistant vocal est activé en appuyant sur le bouton multifonctions de l'écouteur droit (R) pendant 1 seconde. Voir Schéma 2 pour visualiser l'emplacement du bouton.

3.3 Mode Ambient Pass-Through

Le PI5 dispose d'un mode Ambient Pass-Through, qui permet à certains bruits extérieurs du milieu environnant, comme des annonces de sécurité ou les conversations, de pouvoir être entendus sans qu'il soit nécessaire de retirer les écouteurs

Le mode Ambient Pass-Through peut être activé ou désactivé via l'application casque Bowers & Wilkins. Le niveau du mode Ambient Pass-Through Haut/Bas/Arrêt, peut être ajusté via l'application. pour répondre à vos besoins.

3.4 Capteurs de port des écouteurs

Le PI5 intègre dans les deux écouteurs notre dernière génération de détection de port. Les capteurs permettent de conserver intelligemment l'autonomie de la batterie en faisant basculer les écouteurs en mode d'économie d'énergie lorsqu'ils sont ôtés des oreilles. Lorsque qu'il est porté à nouveau, le PI5 se réveille et se connecte automatiquement au dernier appareil Bluetooth connecté.

Les capteurs mettront également en pause le flux audio dès que les écouteurs sont ôtés de vos oreilles. La lecture sera automatiquement reprise lorsque les écouteurs seront remis en place dans les oreilles. La reprise automatique a été encore optimisée, pour ne reprendre la lecture que quand vous êtes prêts à le faire.

Le capteur de port peut être désactivé via l'application casque de Bowers & Wilkins.

Remarque : faites particulièrement attention lorsque vous portez vos écouteurs à ce que des cheveux ou accessoires ne viennent pas coincer entre vos oreilles et les écouteurs, ce qui pourrait interférer avec la détection de proximité.

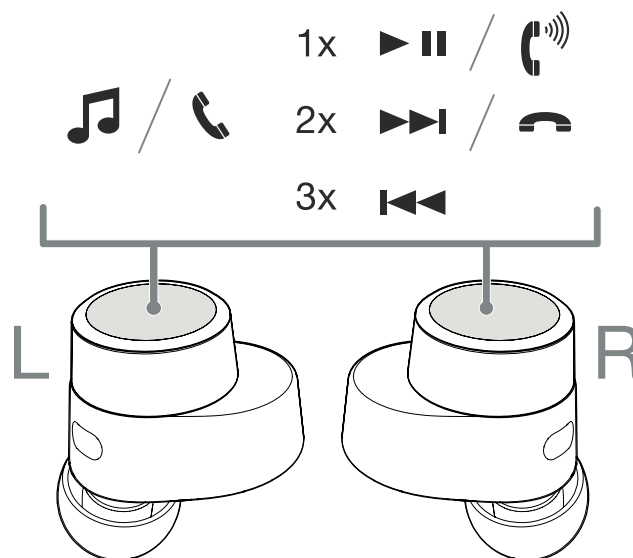


Schéma 1
Bouton multifonctions

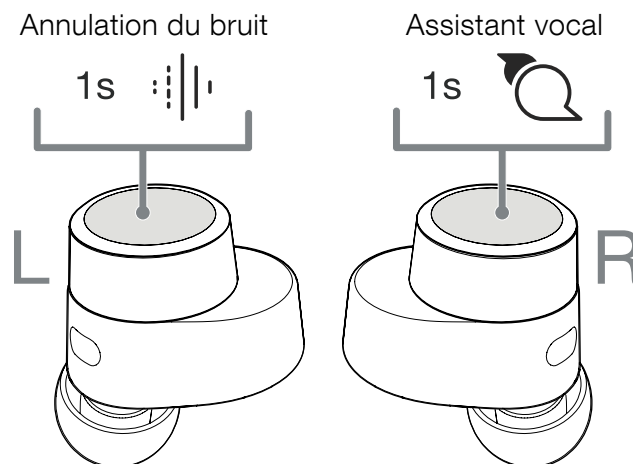


Schéma 2
Contrôles des écouteurs

4. Rangement des écouteurs

Lorsqu'ils ne sont pas utilisés, les écouteurs PI5 doivent être stockés à l'intérieur du boîtier de recharge où ils seront rechargés et ainsi prêts pour une utilisation future.

5. Chargement de la batterie

Le PI5 est livré avec le boîtier de charge et les batteries des écouteurs partiellement rechargées. Il peut être utilisé immédiatement. Nous vous recommandons toutefois de recharger complètement vos écouteurs avant la première utilisation. Prévoyez environ 3 heures pour une recharge complète.

Pour recharger les écouteurs PI5 :

1. Placez les écouteurs PI5 dans le boîtier de charge.
2. Fermez le couvercle du boîtier de charge.

Pour charger le boîtier de charge du PI5 :

1. Utilisez le câble de chargement USB fourni et connectez la prise USB à un chargeur mural USB, ou une prise USB alimentée d'un ordinateur.
2. Connectez ensuite l'autre extrémité du câble USB-C à la prise USB-C du boîtier de recharge.

Remarque : pendant la charge, l'indicateur lumineux du boîtier de recharge clignote en vert. Lorsqu'il est complètement chargé, l'indicateur reste allumé en continu. Le boîtier peut être chargé avec ou sans les écouteurs à l'intérieur.

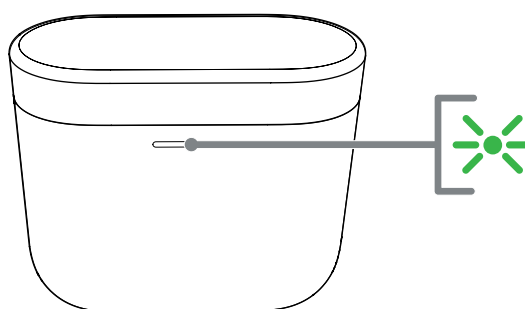
Pour recharger le boîtier de charge du PI5 avec un chargeur sans fil :

1. Placez l'étui de transport sur le chargeur sans fil
2. Assurez-vous que l'arrière du boîtier de charge est bien positionné sur le chargeur sans fil (avec l'indicateur lumineux du boîtier vers le haut).

Remarque : pendant la charge, l'indicateur lumineux du boîtier clignote en vert. Lorsqu'il est complètement chargé, l'indicateur reste allumé en continu.

5.1 Indicateur d'état à LED

L'indicateur d'état à LED est situé à l'avant du boîtier de charge. Lorsque les écouteurs sont placés dans le boîtier de charge, la LED fournit des informations sur les écouteurs. Lorsque les écouteurs sont retirés du boîtier, la LED fournit des informations sur le boîtier de charge. Le Schéma 3 détaille les différents états de la LED.



Avec les écouteurs insérés dans le boîtier de recharge

Indicateur LED		État de fonctionnement
Vert (couvercle du boîtier ouvert)		Charge batteries des écouteurs > 40%
Jaune (après mise sous tension)		Charge batteries des écouteurs > 20%, <40%
Rouge (après mise sous tension)		Charge de la batterie des écouteurs <20%
Rouge (clignotant)		Réinitialisation d'usine des écouteurs
Rouge (fixe)		Réinitialisation matérielle/panne système
Bleu (clignotant)		Mode de jumelage activé
Bleu (3 secondes fixe)		Jumelage réussi

Avec les écouteurs retirés du boîtier de recharge

Indicateur LED		État de fonctionnement
Vert (couvercle du boîtier ouvert)		Charge de la batterie > 40%
Jaune (après mise sous tension)		Charge de la batterie > 20%, <40%
Rouge (après mise sous tension)		Charge de la batterie <20%
Rouge (clignotant)		Réinitialisation usine
Rouge (fixe)		Réinitialisation matérielle/panne système

Schéma 3
Indicateur d'état lumineux

6. Connectivité Bluetooth

6.1 Jumelage

Vos écouteurs PI5 sont conçus pour diffuser de la musique sans fil à partir d'appareils audio Bluetooth, tels que les smartphones, tablettes ou ordinateurs. Pour cela, les écouteurs et l'appareil source doivent d'abord être jumelés.

Lorsque vous recevez vos écouteurs PI5, ils seront prêts à être jumelés à n'importe quel appareil audio Bluetooth.

6.1.1 Système iOS/Système Android sans Google FastPair.

1. Téléchargez l'application Bowers & Wilkins pour casque.
2. Ouvrez le couvercle du boîtier, l'indicateur du boîtier clignote en bleu.
3. Accédez au menu de jumelage Bluetooth de votre appareil et sélectionnez « Bowers & Wilkins PI5 » dans la liste des appareils à portée.
4. L'indicateur lumineux passera alors au bleu continu pour indiquer que le jumelage a réussi.
5. Ouvrez l'application Bowers & Wilkins et ajoutez les écouteurs.

Remarque : vos écouteurs quitteront automatiquement le mode de jumelage Bluetooth si aucun appareil n'est jumelé dans les 5 minutes. Si le jumelage échoue, l'indicateur clignote rapidement en bleu, dans ce cas, réessayez le jumelage.

Pour jumeler à un autre appareil. Voir le Schéma 4 :

1. Ouvrez le couvercle du boîtier avec les écouteurs à l'intérieur du boîtier.
2. Maintenez appuyé le bouton à l'intérieur du boîtier pendant 1 à 5 secondes, l'indicateur lumineux clignotera en bleu.
3. Accédez au menu de jumelage Bluetooth de votre nouvel appareil et sélectionnez « Bowers & Wilkins PI5 » dans la liste des appareils à portée.
4. L'indicateur passera au bleu continu pour indiquer que le jumelage a réussi.

Le PI5 peut ainsi mémoriser jusqu'à 4 appareils Bluetooth jumelés. Répétez les étapes ci-dessus pour jumeler plus d'appareils.

Remarque : vos écouteurs quitteront automatiquement le mode de jumelage Bluetooth si aucun appareil n'est jumelé dans les 5 minutes. Si le jumelage échoue, l'indicateur lumineux clignote rapidement en bleu. Dans ce cas, réessayez le jumelage.

6.1.2 Google FastPair (pour appareils avec système Android avec fonctionnalité GFP)

Pour jumeler les écouteurs :

1. Ne placez pas le boîtier à plus de 10 cm (4 pouces) de l'appareil Android (BT activé) et ouvrez le couvercle du boîtier du PI5.
2. Une fenêtre de notification GFP (Google FastPair) apparaîtra, affichant « Bowers & Wilkins PI5 détecté » et demandant de démarrer le processus de jumelage.
3. Appuyez sur le bouton « Notification » de la fenêtre pour activer le jumelage, un message indiquant que la connexion est réussie sera affiché dans la fenêtre GFP.
4. Une fois jumelés :
 - o La fenêtre GFP vous dirigera vers le Google Play Store pour télécharger et installer l'application Bowers & Wilkins App.
 - o Le niveau de batterie des écouteurs et du boîtier sera affiché dans la fenêtre GFP.

6.2 Déconnexion d'un appareil

Vous pouvez déconnecter rapidement le PI5 d'un appareil source en remettant les écouteurs dans leur boîtier. Alternativement, vous pouvez gérer la connexion plus en détail en utilisant l'application casque Bowers & Wilkins Headphones dans le sous menu « Connexions ».

6.3 Fonctionnalités de l'application

L'application Bowers & Wilkins Headphones permet de réaliser la configuration et des ajustements étendus pour certaines fonctionnalités telles que l'annulation adaptative du bruit, l'Ambient Pass-Through et les capteurs de port de vos écouteurs. L'application propose également d'autres personnalisations telles que le prompt vocal, le niveau de l'Ambient Pass-through, la gestion des connexions, et les mises à jour logicielles de votre casque. L'application est disponible en téléchargement gratuit pour les appareils iOS et Android.

Pour ajouter vos écouteurs à l'application :

1. Depuis votre appareil mobile, téléchargez et installez l'application Bowers & Wilkins Headphones.
2. Lancez l'application, puis lisez et suivez les instructions relatives aux notifications et aux autorisations attribuées à l'application.
3. Après avoir atteint l'écran principal, appuyez simplement sur + et suivez les instructions intégrées à l'application.

6.4 Mise à jour du logiciel du casque

Bowers & Wilkins mettra occasionnellement à disposition des mises à jour logicielles qui affinent et optimisent les performances de vos écouteurs ou ajoutent de nouvelles fonctionnalités.

L'application casque Bowers & Wilkins vous enverra une notification lorsqu'une mise à jour logicielle est disponible, appuyez sur la notification et suivez les instructions dans l'application.

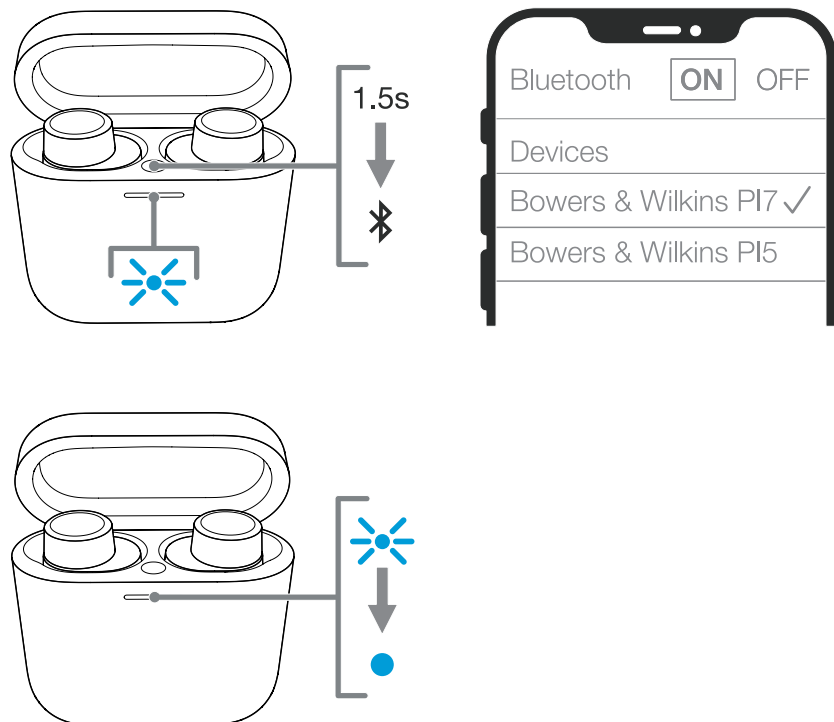


Schéma 4
Jumelage Bluetooth - appareil source

7. Comment porter vos écouteurs

Un port correct de vos écouteurs vous permettra de profiter de la meilleure expérience possible, voir le Schéma 5. Comme de nombreux écouteurs intra-auriculaires, les écouteurs PI5 sont conçus pour venir sceller le conduit auditif pour un fonctionnement optimal. Les embouts auriculaires sont disponibles en trois tailles (petit, moyen et grand). Trouver la taille qui soit parfaitement adaptée à votre oreille est essentiel pour obtenir une bonne étanchéité et assurer à votre PI5, ainsi qu'à ses fonctionnalités avancées comme la suppression de bruit adaptative un fonctionnement optimal.

1. Identifiez les écouteurs gauche et droit à l'aide des indications L et R situées sur le côté intérieur de chaque écouteur.
2. Placez les écouteurs dans vos oreilles et tournez chaque écouteur légèrement vers l'arrière pour que l'embout s'engage confortablement dans l'ouverture du conduit auditif.
3. Si l'embout de l'écouteur est trop grand ou trop petit, essayez un embout d'oreille d'une autre taille pour réaliser le meilleur ajustement possible.

Remarque : pour optimiser la qualité des appels, veuillez vous assurer que le microphone situé sous l'écouteur est bien tourné vers l'extérieur, voir Schéma 5.

8. Réinitialisation/Dépannage

8.1 Réinitialisation usine

Vous pouvez effacer l'historique des appareils jumelés et restaurer tous les réglages à leurs valeurs par défaut.

Pour réinitialiser les écouteurs en mode usine, ouvrez le boîtier de charge avec les écouteurs placés à l'intérieur. Appuyez et maintenez le bouton à l'intérieur du boîtier pendant 5 secondes puis libérez-le. L'indicateur lumineux situé sur le boîtier deviendra rouge pour indiquer que la réinitialisation usine a bien été effectuée.

REMARQUE : au cas où les écouteurs ne fonctionneraient pas correctement, effectuez une seconde réinitialisation usine pour résoudre le problème.

8.2 Réinitialisation matérielle

Pour effectuer une réinitialisation matérielle de vos écouteurs, ouvrez le boîtier avec les écouteurs placés à l'intérieur. Appuyez sur le bouton à l'intérieur du boîtier et maintenez-le enfoncé pendant 15 secondes jusqu'à ce que l'indicateur LED s'éteigne et se rallume en vert, ce qui indique que la réinitialisation matérielle a bien été effectuée.

REMARQUE : En cas de panne grave du système (LED allumée en rouge fixe), effectuez une réinitialisation matérielle.

9. Entretien de vos écouteurs

Vos écouteurs peuvent être nettoyés avec un chiffon humide en les tamponnant doucement jusqu'à ce qu'ils soient propres. N'utilisez pas de produits de nettoyage, de détergents, de l'alcool, des nettoyants chimiques/du polish, cela pourrait endommager vos écouteurs.

10. Service/Assistance

Si vous avez besoin d'aide pour résoudre un problème spécifique, ou avez simplement une question à laquelle vous aimeriez une réponse, veuillez d'abord consulter le support de la section sur le site web de Bowers & Wilkins : www.bowerswilkins.com.

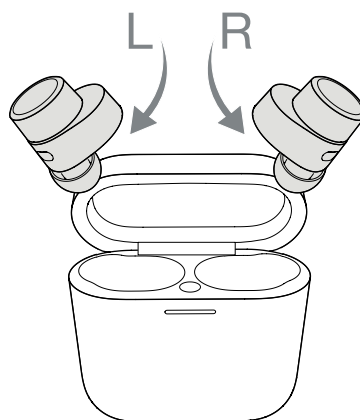
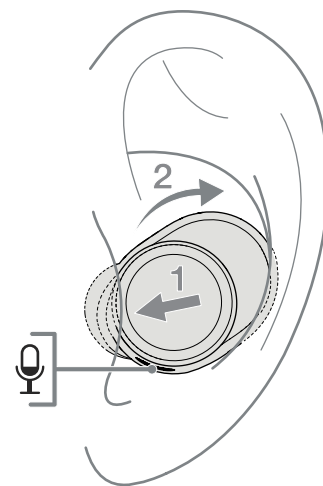


Schéma 5
Comment porter votre casque



Spécifications

Caractéristiques techniques	Technologie True Wireless Bluetooth 5.0 avec aptX Adaptive Réduction de Bruit Active (ANC) Streaming audio depuis le boîtier de recharge Rechargement USB-C et sans fil Compatible Charge Rapide
Formats Numériques Bluetooth	AptX AAC SBC
Profils Bluetooth	A2DP v1.3.1 AVRCP v1.6.1 HFP v1.7.1 HSP v1.2 BLE GATT (Generic Attribute Profile)
Bande de fréquence	Mode TX : 2402 Mhz à 2480 Mhz, Bande ISM Mode RX : 2402 Mhz à 2480 Mhz, Bande ISM
Puissance de sortie RF	< 10.0 dBm
Haut-parleurs	Dynamic Drive 9.2 mm
Gamme de fréquence	10 Hz – 20 kHz
Distorsion	< 0.3 % (1 kHz/10 mW)
Autonomie	Jusqu'à 4 heures en Bluetooth
Charge	15 minutes de charge pour deux heures en Bluetooth
Entrées	Bluetooth
Poids	Ecouteurs 7 g, boîtier de recharge 47 g

Willkommen bei Bowers & Wilkins und PI5

Vielen Dank, dass Sie sich für Bowers & Wilkins entschieden haben. Als John Bowers unser Unternehmen gründete, war er überzeugt, dass ein innovatives Design sowie beste Ingenieurskunst und zukunftsweisende Technologien der Schlüssel für ein einzigartiges Klangerlebnis in Ihrem Zuhause sind.

Der Bowers & Wilkins PI5 ist ein hochwertiger In-Ear-Kopfhörer, der den Hörer mit bester Klangqualität, kabelloser Freiheit und dank adaptiver Geräuschunterdrückung mit einem erstklassigen Nutzererlebnis verwöhnt. In dieser Bedienungsanleitung erfahren Sie alles, was Sie wissen müssen, um Ihren PI5-Kopfhörer optimal nutzen zu können.

Die Musik kann via Bluetooth kabellos von Ihrem Handy, Tablet oder Computer zum PI5 gestreamt werden. Der PI5 kann aber auch zum kabellosen Telefonieren genutzt werden.

Zu den Real-World-Listening-Funktionen des PI5 gehören unsere jüngsten Innovationen in den Bereichen Geräuschunterdrückung (Adaptive Noise Cancellation), Umgebungfilter (Ambient Pass-Through) sowie verbesserte Näherungssensor-Technologien. Unsere Geräuschunterdrückung der neuesten Generation wurde von Grund auf mit intelligenten Umgebungserkennungsfunktionen entwickelt und wählt automatisch die für Ihre Umgebung am besten geeignete Geräuschunterdrückungsart aus. Einziges Ziel ist es, ein kompromissloses Hörerlebnis zu bieten. Dank der Umgebungfilter-Funktion sind externe Geräusche, wie Gespräche oder Sicherheitsansagen, deutlich hörbar, sodass Sie den Kopfhörer nicht abnehmen müssen. Die Näherungssensor-Funktion sorgt dafür, dass der PI5 Ihre Musik automatisch pausiert, wenn Sie einen Ohrhörer aus dem Ohr nehmen. Die Musikwiedergabe wird fortgesetzt, sobald Sie den Ohrhörer wieder einsetzen. Diese Funktionen können über die Bowers & Wilkins Headphones App, die kostenlos auf iOS- und Android-Geräten verfügbar ist, aktiviert und weiter angepasst werden.

Der PI5 wird mit einem wiederaufladbaren Lade Case geliefert. Abhängig von der Bluetooth-Nutzung, dem Einsatz der Geräuschunterdrückung und des Umgebungfilters sind bei aktivierter Geräuschunterdrückung und durchschnittlichen Lautstärkepegeln bis zu 20 Stunden Musikwiedergabe möglich.

1. PI5 Kartoninhalt

PI5 Kopfhörer mit Ohrstöpseln (M)
Ladecase
USB-C-Ladekabel
Ohrstöpsel (S/L)
Beiliegende Literatur

2. Lernen Sie Ihren PI5 kennen

2.1 Kopfhörer ein- und ausschalten

Ein-/Ausschalten

Der PI5 hat keinen Ein-/Ausschalter, stattdessen erfolgt das Powermanagement automatisch. Ihre PI5-Ohrhörer werden automatisch geladen, wenn sie in das Ladecase gelegt werden, und sind einsatzbereit, wenn sie aus dem Case entnommen werden.

Wenn die Ohrhörer aus dem Ladecase genommen und 5 Minuten lang nicht benutzt werden, wechseln sie in einen Energiesparmodus. Um den Energiesparmodus zu beenden, verwenden Sie die Ohrhörer erneut, indem Sie sie mit einem gepaarten Gerät koppeln, Audio streamen oder die Ohrhörer in Ihre Ohren einsetzen.

2.2 Kopfhörer-Steuerung

Jeder Ohrhörer verfügt über eine Multifunktions-taste an der oberen Kappe des Ohrhörers (siehe Abbildung 1). Folgende Bedienfunktionen sind möglich:

Medienwiedergabe:

Funktion	Bedienung
Wiedergabe oder Pause	Multifunktions-taste einmal drücken.
Nächsten Titel abspielen	Multifunktions-taste zweimal kurz hintereinander drücken.
Vorherigen Titel abspielen	Multifunktions-taste dreimal kurz hintereinander drücken.

Telefonanruf-funktion:

Funktion	Bedienung
Anruf beantworten	Wenn ein Anruf eingeht, einmal die Multifunktions-taste drücken.
Anruf beenden	Wenn ein Anruf eingeht, zweimal die Multifunktions-taste kurz hintereinander drücken.
Eingehenden Anruf ablehnen	Wenn ein Anruf eingeht, zweimal die Multifunktions-taste kurz hintereinander drücken.

3. Intelligente Funktionen

3.1 Adaptive Geräuschunterdrückung

Mit Hilfe der Geräuschunterdrückung können unerwünschte Geräusche aus der Umgebung entfernt werden.

Der PI5 ist mit unseren jüngsten Innovationen in der adaptiven Geräuschunterdrückung ausgestattet, einschließlich intelligenter Sensorik, die die Geräuschunterdrückung und -abstimmung an Ihre Umgebung anpasst. Wenn sich Ihre Umgebung ändert, passt sich die Geräuschunterdrückung automatisch an Ihre neue Umgebung an.

Die Geräuschunterdrückungsfunktion wird aktiviert, indem Sie die Multifunktions-taste des linken Ohrhörers (L) 1 Sekunde lang drücken. Wenn Sie die Taste weiter jeweils 1 Sekunde drücken, werden folgende Modi nacheinander aktiviert: Ein, Auto oder Aus. Abbildung 2 zeigt die Position der Taste.

Modus	Anwendung
Ein	Entfernt unerwünschte Umgebungsgeräusche.
Auto	Passt die Geräuschunterdrückung auf intelligente Weise an Ihre aktuelle Umgebung an.
Aus	Deaktiviert die Geräuschunterdrückungsfunktion.

3.2 Sprachassistent

Der Sprachassistent wird aktiviert, indem Sie die Multifunktions-taste am rechten (R) Ohrhörer 1 Sekunde lang drücken. Abbildung 2 zeigt die Position der Taste.

3.3 Umgebungsfilter

Dank des Umgebungsfilters des PI5 kann der Nutzer bestimmte Geräusche (z. B. Gespräche oder Sicherheitsansagen) hören, ohne die Ohrhörer herausnehmen zu müssen.

Der Umgebungsfilter kann über die Bowers & Wilkins-Kopfhörer-App aktiviert oder deaktiviert werden. Die Durchlässigkeit für Umgebungsgeräusche (Hoch/Niedrig/Aus) kann über die App an Ihre Bedürfnisse angepasst werden.

3.4 Näherungssensoren

Der PI5 verfügt über unsere jüngste, optimierte Bewegungssensorik in beiden Ohrhörern. Mit Hilfe der Sensoren kann der Akku geschont werden, indem der Kopfhörer in den Energiesparmodus wechselt, wenn die Ohrhörer herausgenommen werden. Beim erneuten Einsetzen aktiviert sich der PI5 automatisch und verbindet sich mit dem zuletzt verwendeten Bluetooth-Gerät.

Die Sensoren unterbrechen zudem die Musikwiedergabe, wenn die Ohrhörer aus den Ohren genommen werden. Die Wiedergabe wird fortgesetzt, sobald Sie die Ohrhörer wieder einsetzen. Das automatische Fortsetzen der Wiedergabe wurde weiter auf Benutzerfreundlichkeit optimiert.

Der Näherungssensor kann über die Bowers & Wilkins Kopfhörer-App deaktiviert werden.

Hinweis: Achten Sie beim Einsetzen der Ohrhörer besonders darauf, dass keine Haare oder Accessoires zwischen Ihren Ohren und den Ohrhörern eingeklemmt werden. Diese können die Näherungssensorik stören.

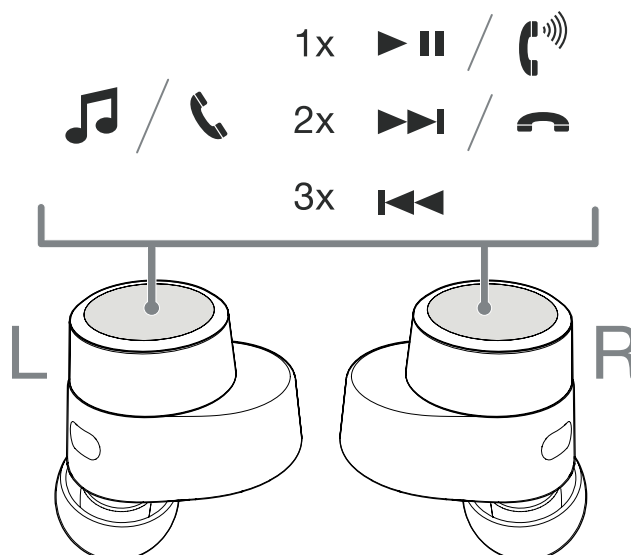


Abbildung 1
Multifunktions-taste

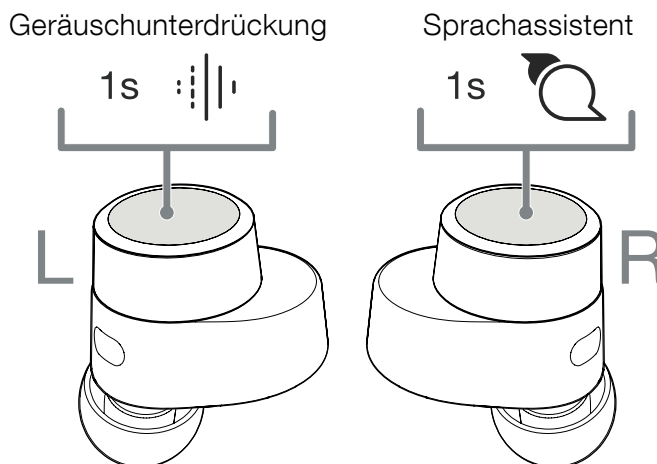


Abbildung 2
Kopfhörer-Bedienelemente

4. Aufbewahren der Ohrhörer

Wenn Sie die PI5 Ohrhörer nicht benutzen, sollten Sie sie im Ladecase aufbewahren, wo sie für den nächsten Einsatz wieder aufgeladen werden.

5. Aufladen des Akkus

Der PI5 wird mit teilweise aufgeladenen Akkus geliefert und kann sofort verwendet werden. Es hat sich jedoch bewährt, den Akku der Ohrhörer vor dem ersten Gebrauch vollständig aufzuladen. Das vollständige Aufladen kann bis zu 3 Stunden dauern.

So laden Sie die PI5-Ohrhörer auf:

1. Legen Sie die PI5-Ohrhörer in das Ladecase.
2. Schließen Sie den Ladecase-Deckel.

So laden Sie das PI5-Ladecase auf:

1. Bitte verwenden Sie das mitgelieferte Ladekabel und verbinden Sie den USB-Stecker mit einem USB-Ladegerät oder der USB-Buchse eines Computers.
2. Schließen Sie dann das USB-C-Ende an die USB-C-Buchse des Ladecase an.

Hinweis: Während des Ladens blinkt die LED grün. Ist der Akku vollständig geladen, leuchtet die LED dauerhaft. Das Ladecase kann mit oder ohne die eingelegten Ohrhörer geladen werden.

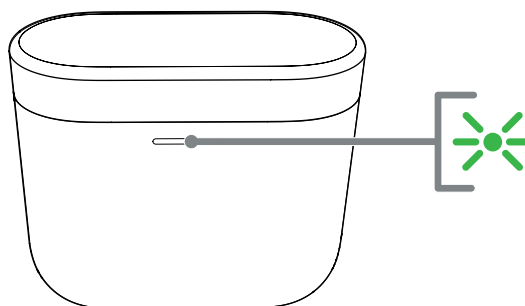
So laden Sie das PI5-Ladecase an einer kabellosen Ladestation auf:

1. Platzieren Sie das Ladecase auf einer kabellosen Ladestation.
2. Achten Sie darauf, dass der Ladecase mit der Rückseite auf der Ladestation aufliegt (Ladecase-LED weist nach oben).

Hinweis: Während des Ladens blinkt die LED grün. Ist der Akku vollständig geladen, leuchtet die LED dauerhaft.

5.1 Statusanzeige

Die Statusanzeige befindet sich auf der Vorderseite am Ladecase. Wenn die Ohrhörer in das Ladecase gelegt werden, zeigt die LED Informationen über die Ohrhörer an. Wenn die Ohrhörer aus dem Ladecase entnommen werden, zeigt die LED Informationen zum Ladecase an. Siehe Abbildung 3 für LED-Zustände.



Mit Ohrhörern im Ladecase

Anzeige	Betriebszustand
Grün (Ladecase-Deckel offen)	Ohrhörer-Akkuladung >40 %
Gelb (nach dem Einschalten)	Ohrhörer-Akkuladung >20%, <40%
Rot (nach dem Einschalten)	Ohrhörer-Akkuladung <20 %
Rot (blinkend)	Ohrhörer auf Werkseinstellungen zurückgesetzt
Rot (konstant)	Hardware-Reset / Systemabsturz
Blau (blinkend)	Pairing-Modus aktiviert
Blau (3 Sek. konstant)	Pairing erfolgreich

Ohne Ohrhörer im Ladecase

Anzeige	Betriebszustand
Grün (Ladecase-Deckel offen)	Akkuladung >40 %
Gelb (nach dem Einschalten)	Akkuladung >20%, <40%
Rot (nach dem Einschalten)	Akkuladung <20 %
Rot (blinkend)	Auf Werkseinstellungen zurückgesetzt
Rot (konstant)	Hardware-Reset / Systemabsturz

Abbildung 3
Statusanzeige

6. Bluetooth-Verbindung

6.1 Bluetooth-Kopplung

Der PI5 dient zum kabellosen Musik-Streamen von Bluetooth-Audiogeräten wie Smartphones, Tablets oder PCs. Dazu müssen Kopfhörer und Gerät zunächst gekoppelt werden.

Wenn Sie Ihre PI5-Ohrhörer erhalten, können diese mit jedem Bluetooth-Audiogerät gekoppelt werden.

6.1.1 iOS-System / Android-System ohne Google FastPair.

1. Laden Sie die Bowers & Wilkins Headphone App herunter.
2. Öffnen Sie den Ladecase-Deckel, die LED blinkt blau.
3. Gehen Sie zum Bluetooth-Pairing-Menü Ihres Gerätes und wählen Sie „Bowers & Wilkins PI5“ aus der Geräteliste.
4. Die LED am Ladecase wechselt zu durchgehend blau, um anzuzeigen, dass die Kopplung erfolgreich war.
5. Öffnen Sie die Bowers & Wilkins-App und fügen Sie die Kopfhörer hinzu.

Hinweis: Ihr Kopfhörer verlässt den Bluetooth-Kopplungsmodus automatisch, wenn fünf Minuten lang keine Kopplung mit einem Gerät stattgefunden hat. Wenn die Kopplung fehlschlägt, blinkt die Anzeige schnell blau. Bitte versuchen Sie die Kopplung erneut.

Zum Koppeln mit einem weiteren Gerät. Siehe Abbildung 4:

1. Legen Sie die Ohrhörer in das Ladecase und öffnen Sie den Deckel.
2. Halten Sie die Taste im Ladecase 1 bis 5 Sekunden lang gedrückt. Die LED blinkt blau.
3. Gehen Sie zum Bluetooth-Pairing-Menü Ihres neuen Gerätes und wählen Sie „Bowers & Wilkins PI5“ aus der Geräteliste.
4. Die LED am Ladecase wechselt zu durchgehend blau, um anzuzeigen, dass die Kopplung erfolgreich war.

Der PI5 kann sich bis zu 4 gekoppelte Bluetooth-Geräte merken. Wiederholen Sie die obigen Schritte, um weitere Geräte zu koppeln.

Hinweis: Ihr Kopfhörer verlässt den Bluetooth-Kopplungsmodus automatisch, wenn fünf Minuten lang keine Kopplung mit einem Gerät stattgefunden hat. Wenn die Kopplung fehlschlägt, blinkt die Anzeige schnell blau. Bitte versuchen Sie die Kopplung erneut.

6.1.2 Google FastPair (für Android-Systeme mit integrierter GFP-Funktion)

So fügen Sie Ihre Kopfhörer hinzu:

1. Stellen Sie das Ladecase nicht weiter als 10 cm vom Android-Gerät (mit aktiviertem Bluetooth) entfernt auf und öffnen Sie den Ladecase-Deckel.
2. Es erscheint ein GFP-Benachrichtigungsfenster (Google FastPair) mit der Meldung „Bowers & Wilkins PI5 erkannt“, das Sie auffordert, den Kopplungsvorgang zu starten.
3. Tippen Sie im Fenster auf die Schaltfläche, um das Pairing zu erlauben. Die erfolgreiche Verbindung wird im GFP-Fenster angezeigt.
4. Nach der Kopplung:
 - o Das GFP-Fenster leitet Sie zum Google Play Store, um die Bowers & Wilkins-App herunterzuladen und zu installieren.
 - o Der L/R-Ohrhörer und der Akkustand des Ladecase werden im GFP-Fenster angezeigt

6.2 Verbindung zu einem Gerät trennen

Sie können den PI5 schnell von einem Gerät trennen, indem Sie die Ohrhörer wieder in das Ladecase einlegen. Alternativ können Sie die Verbindung mit der Bowers & Wilkins Headphones App verwalten.

6.3 App-Funktionen

Die Bowers & Wilkins Kopfhörer-App bietet erweiterte Einstellungs- und Anpassungsmöglichkeiten für Funktionen wie adaptive Geräuscherdrückung, Umgebungsfilter und Näherungssensoren. Die App ermöglicht zudem weitere Anpassungen wie Sprachansage, Durchlässigkeit für Umgebungsgeräusche, Verbindungsmanagement und Software-Updates für die Kopfhörer. Diese App steht für iOS- und Android-Geräte kostenlos zum Download bereit.

So fügen Sie Ihre Kopfhörer hinzu:

1. Laden Sie die Bowers & Wilkins Headphones App auf Ihrem Mobilgerät herunter und installieren Sie diese.
2. Starten Sie dazu die App und befolgen Sie die Anweisungen zu Benachrichtigungen und Berechtigungen der App.
3. Tippen Sie im Hauptbildschirm der App einfach auf + und befolgen Sie die Anweisungen in der App.

6.4 Software-Updates für die Kopfhörer

Bowers & Wilkins stellt gelegentlich Software-Updates zur Verfügung, mit denen Sie die Leistung Ihrer Kopfhörer optimieren oder neue Funktionen hinzufügen können.

Die Bowers & Wilkins Headphones App benachrichtigt Sie, wenn ein Software-Update verfügbar ist. Tippen Sie auf die Benachrichtigung und folgen Sie den Anweisungen in der App.

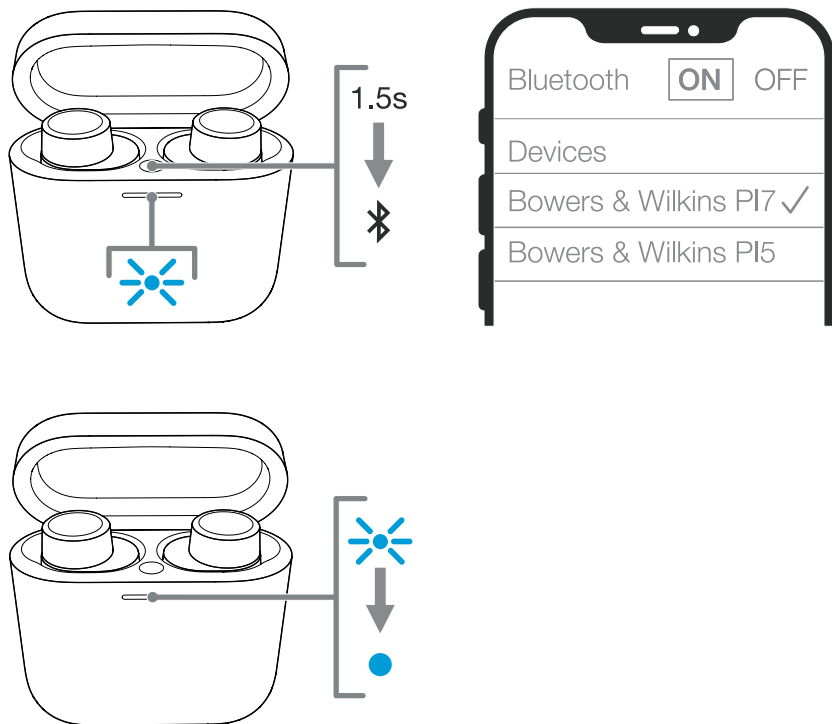


Abbildung 4
Bluetooth-Pairing - zweites Gerät

7. Einsetzen der Ohrhörer

Das korrekte Einsetzen der Ohrhörer trägt dazu bei, dass Sie den bestmöglichen Klang erzielen (siehe Abbildung 5). Wie viele In-Ear-Kopfhörer sind die P15-Ohrhörer so konzipiert, dass sie den Gehörgang abdichten, um eine optimale Leistung zu erzielen. Ohrstöpsel gibt es in drei Größen (klein, mittel und groß). Die richtige Größe für Ihr Ohr zu finden, ist entscheidend nicht nur für eine gute Abdichtung und ein optimales Klangerlebnis mit dem P15 sondern auch damit erweiterte Funktionen wie die adaptive Geräuschunterdrückung optimal funktionieren.

1. Auf der Innenseite der Ohrhörer befinden sich Links-/Rechts-Markierungen, an denen Sie sich beim Einsetzen orientieren können.
2. Setzen Sie die Ohrhörer in das Ohr und drehen Sie den Ohrhörer leicht nach hinten, so dass die Stöpsel bequem im äußeren Gehörgang liegen.
3. Wenn sich die Ohrstöpsel zu groß oder zu klein anfühlen, versuchen Sie es mit einer anderen Ohrstöpselgröße, um die bestmögliche Passform zu gewährleisten.

Hinweis: Achten Sie darauf, dass das Mikrofon unter dem Ohrhörer nach außen zeigt, um eine optimale Sprachverständlichkeit zu gewährleisten (siehe Abbildung 5).

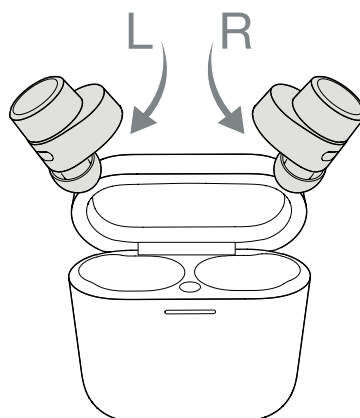
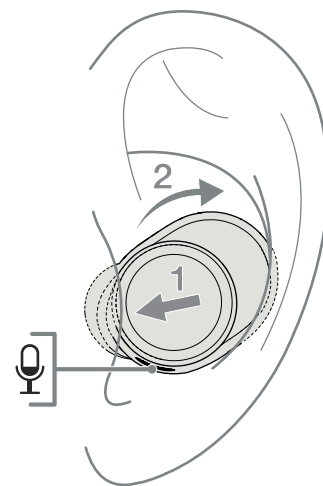


Abbildung 5
Einsetzen der Ohrhörer



8. Zurücksetzen/Fehlerbehebung

8.1 Auf Werkseinstellungen zurücksetzen

Sie können die Liste gepaarter Geräte löschen und alle Einstellungen auf die Werksvoreinstellung zurücksetzen.

Um die Ohrhörer auf die Werkseinstellungen zurückzusetzen, öffnen Sie das Ladecase mit den darin platzierten Ohrhörern. Halten Sie die Taste auf der Ladecase-Innenseite 5 Sekunden lang gedrückt und lassen Sie sie dann los. Die LED am Ladecase leuchtet rot, um das Zurücksetzen anzuzeigen.

HINWEIS: Falls die Ohrhörer nicht korrekt funktionieren, setzen Sie sie bitte auf die Werkseinstellungen zurück, um das Problem zu beheben.

8.2 Harter Reset

Um einen harten Reset durchzuführen, öffnen Sie das Ladecase mit den darin platzierten Ohrhörern. Halten Sie die Taste im Inneren des Ladecase 15 Sekunden lang gedrückt, bis die LED-Anzeige erlischt und grün leuchtet, um den Abschluss des Hard-Reset-Vorgangs anzuzeigen.

HINWEIS: Führen Sie bei einem schwerwiegenden Systemabsturz (LED leuchtet konstant rot) einen Hard-Reset durch.

9. Pflege Ihrer Kopfhörer

Ihre Ohrhörer können mit einem feuchten Tuch und sanftem Abtupfen gereinigt werden, bis sie sauber sind. Verwenden Sie keine Reinigungsmittel, Reinigungsalkohol oder chemische Reiniger/Politur, da dies Ihre Ohrhörer beschädigen kann.

10. Service / Support

Wenn Sie Hilfe bei der Behebung eines bestimmten Problems benötigen oder einfach nur eine Frage haben, die Sie gerne beantwortet hätten, besuchen Sie bitte zunächst den Support-Bereich für Kopfhörer auf der Bowers & Wilkins-Website: www.bowerswilkins.com.

Technische Daten

Technische Merkmale	True Wireless Technologie Bluetooth 5.0 mit AptX Technologie Auto ANC Kabelloses und USB-C-Laden Unterstützung für schnelles Laden
Bluetooth-Codecs	AptX AAC SBC
Bluetooth-Profile	A2DP v1.3.1 AVRCP v1.6.1 HFP v1.7.1 HSP v1.2 BLE GATT (Generic Attribute Profile)
Frequenzband	Tx-Modus: 2402 MHz bis 2480 MHz, ISM Band, Rx-Modus: 2402 MHz bis 2480 MHz, ISM Band
HF-Ausgangsleistung	<10,0 dBm
Treiber	9,2 mm Dynamic Drive
Frequenzbereich	10 Hz bis 20kHz
Verzerrung (THD)	<0,3 % (1 kHz/10 mW)
Akkulaufzeit	Bis zu 4 Stunden Bluetooth
Laden	15 Minuten Laden = 2 Stunden Bluetooth
Eingänge	Bluetooth
Gewicht	7 g für Ohrhörer, 47 g für Ladecase

Bem-vindo à Bowers & Wilkins e aos PI5

Obrigado por ter optado pela Bowers & Wilkins. Quando John Bowers fundou a nossa empresa, acreditava que um design criativo, uma engenharia inovadora e uma tecnologia avançada eram as chaves que poderiam abrir as portas para se desfrutar do áudio em casa.

Os PI5 são auriculares de elevado desempenho concebidos para proporcionarem a maior qualidade de áudio móvel individual combinada com a conveniência do funcionamento sem fios e a tranquilidade do cancelamento de ruído. Este manual explica tudo o que precisa de saber para tirar o máximo partido dos seus auriculares PI5.

Os PI5 podem reproduzir música transmitida sem fios a partir do seu telemóvel, tablet ou computador através de Bluetooth. Os PI5 também podem ser utilizados para telefonia sem fios.

As funcionalidades Real World Listening dos PI5 incluem as nossas mais recentes inovações nas tecnologias de cancelamento adaptativo de ruído, pass-through de ambiente e deteção de utilização melhorada. A nossa funcionalidade de cancelamento de ruído de última geração foi concebida de raiz com capacidades inteligentes de deteção de ambiente, selecionando automaticamente o tipo adequado de cancelamento de ruído mais apropriado para o ambiente circundante. O seu único objetivo é proporcionar uma experiência de audição de qualidade. O pass-through de ambiente permite que os sons externos, tais como conversas ou anúncios de segurança, possam ser escutados claramente sem qualquer necessidade de remover os auscultadores. A funcionalidade de deteção de utilização permite que os PI5 respondam de forma natural, pausando e retomando a música simplesmente levantando cada um dos auriculares da orelha. Estas funcionalidades podem ser ativadas e mais personalizadas através da aplicação Bowers & Wilkins Headphones, disponível gratuitamente em dispositivos iOS e Android.

Os PI5 incluem uma caixa de bateria recarregável. Quando totalmente carregada, dependendo da utilização do Bluetooth, do cancelamento adaptativo de ruído e do pass-through de ambiente, a caixa da bateria pode proporcionar até 20 horas contínuas de transmissão em fluxo de conteúdos, com o cancelamento de ruído ativado a níveis médios de volume de reprodução.

1. Conteúdo da caixa dos PI5

Auriculares PI5 com capas (M)
Caixa de carregamento
Cabo de carregamento USB-C
Capas dos auriculares (S/L)
Documentação

2. Conhecer os seus PI5

2.1 Ligar e desligar os auscultadores

Ligar/desligar

Os PI5 não possuem controlo de energia. Em vez disso, a gestão da energia é automática. Os seus auriculares PI5 carregarão automaticamente quando forem colocados na caixa de carregamento e estarão prontos a utilizar quando forem removidos da mesma.

Quando os auriculares são removidos da caixa de carregamento e não são utilizados durante 5 minutos, entram num modo de poupança de energia. Para sair do modo de poupança de energia, comece a utilizar os auriculares novamente ligando o seu dispositivo emparelhado, transmitindo áudio ou colocando os auriculares nas orelhas.

2.2 Controlos dos auscultadores

Cada auricular tem um botão multifunções situado na parte superior do auricular; consulte a Imagem 1. Os controlos do botão multifunções são os seguintes:

Reprodução de conteúdo multimédia:

Função	Ação
Reproduzir ou pausa	Prima o botão multifunções uma vez.
Reproduzir para faixa seguinte	Prima o botão multifunções duas vezes numa sequência rápida.
Reproduzir faixa anterior	Prima o botão multifunções três vezes numa sequência rápida.

Funcionalidade de chamadas telefónicas:

Função	Ação
Atender chamada	Quando receber uma chamada, prima o botão multifunções uma vez.
Desligar chamada	Depois de terminada a chamada, prima o botão multifunções duas vezes numa sequência rápida.
Rejeitar uma chamada	Quando receber uma chamada, prima o botão multifunções duas vezes numa sequência rápida.

3. Funcionalidades inteligentes

3.1 Cancelamento adaptativo de ruído

O cancelamento de ruído consiste numa série de tecnologias avançadas que ajudam a eliminar ruído indesejado do ambiente circundante.

Os PI5 dispõem das nossas mais recentes inovações em cancelamento adaptativo de ruído, o que inclui deteção inteligente que adapta o cancelamento de ruído e o aperfeiçoamento mais adequado ao seu ambiente circundante. À medida que o meio circundante muda, o cancelamento de ruído adapta-se automaticamente para complementar o seu novo ambiente.

A funcionalidade de cancelamento de ruído é ativada premindo o botão multifunções no auricular esquerdo (L) durante 1 segundo. Premir o botão durante mais 1 segundo permite passar pelos seguintes modos: Ligado, Automático ou Desligado. Consulte a Imagem 2 para a localização do botão.

Modo	Aplicação
Ligado	Remove o ruído indesejado do ambiente circundante.
Automático	Adapta o cancelamento de ruído de forma inteligente, para que seja o mais adequado ao seu ambiente atual.
Desligado	Desliga a funcionalidade de cancelamento de ruído.

3.2 Assistente de voz

O Assistente de voz é ativado premindo o botão multifunções no auricular direito (R) durante 1 segundo. Consulte a Imagem 2 para a localização do botão.

3.3 Pass-through de ambiente

Os PI5 dispõem de pass-through de ambiente, o que permite ouvir certos ruídos externos com origem no ambiente circundante, como anúncios de segurança ou conversas, sem tirar os auscultadores.

O pass-through de ambiente pode ser ativado ou desativado utilizando a aplicação Bowers & Wilkins Headphones. O nível de pass-through de ambiente, Alto/Baixo/Desligado, pode ser ajustado para se adequar às suas necessidades utilizando a aplicação.

3.4 Sensores de utilização

Os PI5 incorporam os nossos mais recentes sensores melhorados de deteção de utilização em ambos os auriculares. Os sensores permitem a conservação inteligente da bateria ao entrarem em modo de poupança de energia quando são retirados das orelhas. Quando voltam a ser utilizados, os PI5 "acordam" automaticamente e ligam-se ao último dispositivo Bluetooth a que estiverem ligados.

Os sensores também irão colocar o áudio em pausa quando os auriculares forem retirados das orelhas. A reprodução é retomada automaticamente quando o auricular é colocado de novo na orelha. A retomada automática foi ainda mais otimizada, para estar pronta apenas quando o utilizador estiver.

O sensor de utilização pode ser desativado na aplicação Bowers & Wilkins Headphones.

Nota: tenha especial cuidado quando usar os auriculares, porque cabelo ou acessórios presos entre as orelhas e os auriculares poderão interferir com a sensibilidade do sensor.

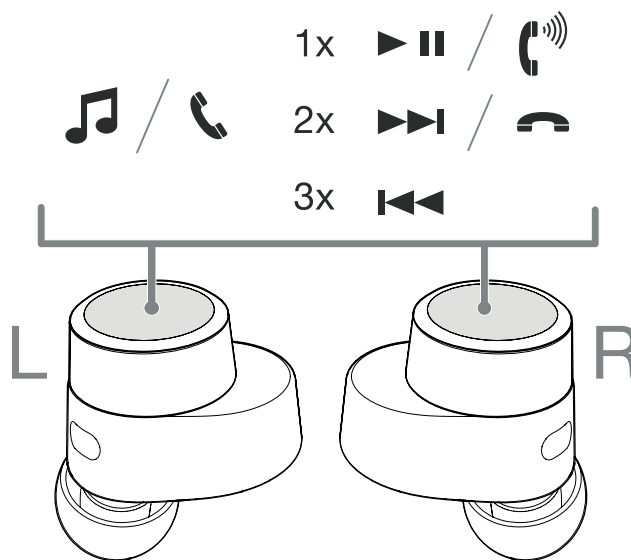


Imagem 1
Botão multifunções

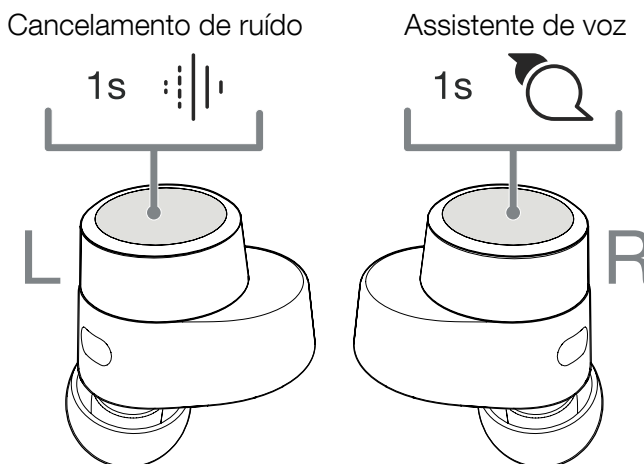


Imagem 2
Controlos dos auscultadores

4. Guardar os auriculares

Quando não estiverem a ser usados, os auriculares PI5 devem ser guardados dentro da caixa de carregamento, onde serão recarregados para utilização futura.

5. Carregar a bateria

Os PI5 são enviados com a caixa e as baterias parcialmente carregadas e podem ser utilizados imediatamente. Recomendamos o carregamento total dos auriculares antes da primeira utilização. Deixe a bateria carregar totalmente durante 3 horas.

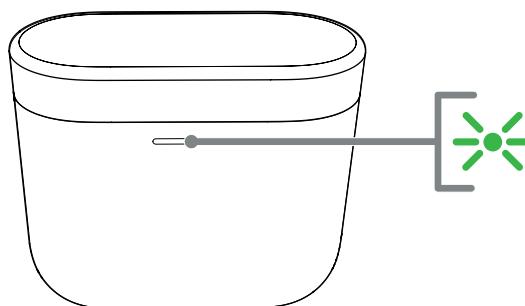
Para carregar os auriculares PI5:

1. Coloque os auriculares PI5 na caixa de carregamento.
2. Feche a tampa da caixa de carregamento.

Para carregar a caixa de carregamento dos PI5:

1. Utilize o cabo de carregamento USB fornecido e ligue a ficha USB a um carregador de parede USB ou a uma entrada USB do computador.
2. Depois, ligue a extremidade USB-C à entrada USB-C da caixa de carregamento.

Nota: durante o carregamento, o indicador da caixa pisca a verde. Quando o carregamento estiver concluído, o indicador permanece aceso. A caixa pode ser carregada com ou sem os auriculares guardados lá dentro.



Para carregar a caixa dos PI5 com uma estação de carregamento sem fios:

1. Coloque a caixa de carregamento numa estação de carregamento sem fios.
2. Certifique-se de que a parte traseira da caixa de carregamento se encontra na estação de carregamento (com o indicador da caixa voltado para cima).

Nota: durante o carregamento, o indicador da caixa pisca a verde. Quando o carregamento estiver concluído, o indicador permanece aceso.

5.1 Indicador de estado

O indicador de estado encontra-se na parte da frente da caixa. Quando os auriculares são colocados na caixa, o LED fornece informações sobre os mesmos. Quando os auriculares são removidos da caixa, o LED fornece informações sobre a caixa de carregamento. Consulte a Imagem 3 para os estados do LED.

Com os auriculares na caixa de carregamento

Luz		Estado de funcionamento
Verde (tampa da caixa aberta)		Carga da bateria do auricular >40%
Amarela (depois de ligar)		Carga da bateria do auricular >20%, <40%
Vermelha (depois de ligar)		Carga da bateria do auricular <20%
Vermelha (a piscar)		Reposição dos auriculares para os valores de fábrica
Vermelha (fixa)		Reposição do hardware/falha do sistema
Azul (a piscar)		Modo de emparelhamento ativado
Azul (3 segundos fixa)		Emparelhamento bem-sucedido

Com os auriculares fora da caixa de carregamento

Luz		Estado de funcionamento
Verde (tampa da caixa aberta)		Bateria a carregar >40%
Amarela (depois de ligar)		Bateria a carregar >20%, <40%
Vermelha (depois de ligar)		Bateria a carregar <20%
Vermelha (a piscar)		Reposição para os valores de fábrica
Vermelha (fixa)		Reposição do hardware/falha do sistema

Imagem 3

Luzes do indicador de estado

6. Conectividade Bluetooth

6.1 Emparelhar

Os auriculares PI5 foram concebidos para transmitir música sem fios a partir de dispositivos áudio Bluetooth, tais como smartphones, tablets ou computadores. Para tal, primeiro, é necessário emparelhar os auriculares com o dispositivo.

Quando receber os seus auriculares PI5, estes estarão prontos a emparelhar com qualquer dispositivo áudio Bluetooth.

6.1.1 Sistema iOS/sistema Android sem Google FastPair.

1. Transfira a aplicação Bowers & Wilkins Headphones.
2. Abra a tampa da caixa. O indicador da caixa irá piscar a azul.
3. Aceda ao menu de emparelhamento Bluetooth do dispositivo e seleccione "Bowers & Wilkins PI5" na lista de dispositivos.
4. O indicador da caixa mudará para azul fixo para indicar um emparelhamento bem-sucedido.
5. Abra a aplicação Bowers & Wilkins e adicione os auscultadores.

Nota: os auriculares saem automaticamente do modo de emparelhamento Bluetooth se nenhum dispositivo for emparelhado no espaço de 5 minutos. Se o emparelhamento falhar, o indicador pisca rapidamente a azul, pelo que deve tentar emparelhar novamente.

Para emparelhar um dispositivo subsequente. Consulte a Imagem 4:

1. Abra a tampa da caixa com os auriculares colocados lá dentro.
2. Mantenha premido o botão dentro da caixa entre 1 e 5 segundos. O indicador da caixa irá piscar a azul.
3. Aceda ao menu de emparelhamento Bluetooth do novo dispositivo e seleccione "Bowers & Wilkins PI5" na lista de dispositivos.
4. O indicador da caixa mudará para azul fixo para indicar um emparelhamento bem-sucedido.

Os PI5 conseguem memorizar até 4 dispositivos Bluetooth emparelhados. Repita os passos acima para emparelhar mais dispositivos.

Nota: os auriculares saem automaticamente do modo de emparelhamento Bluetooth se nenhum dispositivo for emparelhado no espaço de 5 minutos. Se o emparelhamento falhar, o indicador pisca rapidamente a azul, pelo que deve tentar emparelhar novamente.

6.1.2 Google FastPair (para sistemas Android integrados com a funcionalidade GFP)

Para adicionar os seus auscultadores:

1. Coloque a caixa a uma distância igual ou inferior a 10 cm (4 polegadas) relativamente a qualquer dispositivo Android (com Bluetooth ativado) e abra a tampa da caixa dos PI5.
2. Aparecerá uma janela de notificação do GFP (Google FastPair) com a mensagem "Bowers & Wilkins PI5 detected" (Bowers & Wilkins PI5 detetados) e um pedido para iniciar o processo de emparelhamento.
3. Prima o botão "Notification" (Notificação) na janela para permitir o emparelhamento. A ligação bem-sucedida será apresentada na janela do GFP.
4. Após o emparelhamento:
 - o A janela do GFP irá direcioná-lo para a Google Play Store para transferir e instalar a aplicação Bowers & Wilkins.
 - o Pode ver o nível da bateria dos auriculares L/R e da caixa na janela do GFP.

6.2 Desligar de um dispositivo

Pode desligar rapidamente os PI5 de um dispositivo colocando os auriculares na caixa. Como alternativa, pode gerir a ligação com mais detalhe utilizando a aplicação Bowers & Wilkins Headphones, em Connections (Ligações).

6.3 Funcionalidades da aplicação

A aplicação Bowers & Wilkins Headphones disponibiliza configurações e ajustes alargados para as funcionalidades, tais como o cancelamento adaptativo de ruído, o pass-through de ambiente e os sensores de utilização. A aplicação também proporciona mais opções de personalização, como comando por voz, nível de pass-through de ambiente, gestão de ligação e atualizações do software dos auscultadores. A aplicação está disponível como transferência gratuita em dispositivos iOS e Android.

Para adicionar os seus auscultadores:

1. A partir do seu dispositivo móvel, transfira e instale a aplicação Bowers & Wilkins Headphones.
2. Abra a aplicação e, depois, leia e siga as instruções relacionadas com as notificações e permissões da aplicação.
3. Depois de chegar ao ecrã principal, basta tocar em + e seguir as instruções dadas na aplicação.

6.4 Atualizações do software dos auscultadores

Periodicamente, a Bowers & Wilkins disponibiliza atualizações de software que aperfeiçoam e otimizam o desempenho dos seus auscultadores, ou que acrescentam novas funcionalidades.

A aplicação Bowers & Wilkins Headphones irá avisá-lo quando uma atualização de software estiver disponível. Toque na notificação e siga as instruções dadas na aplicação.

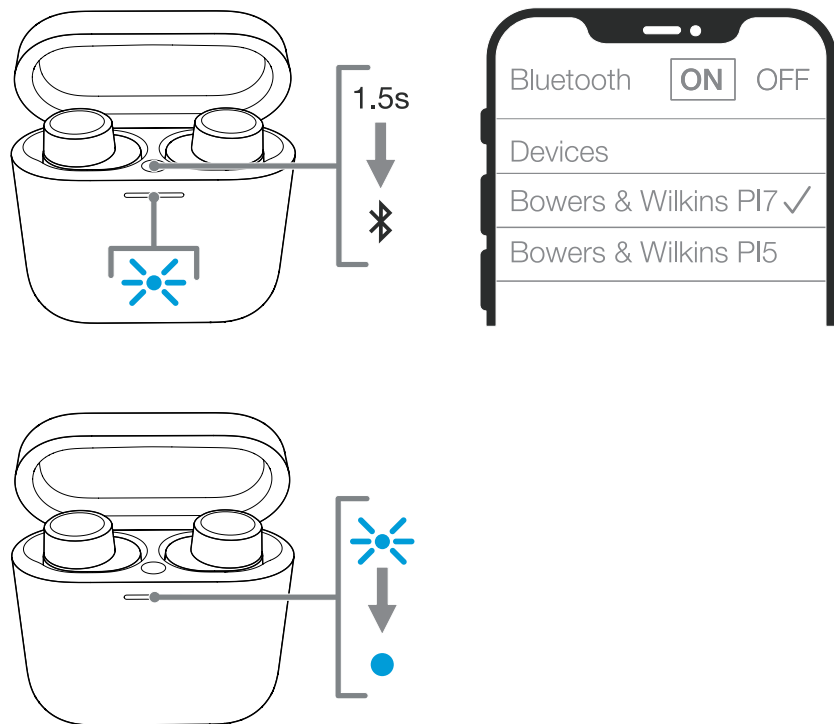


Imagem 4
Emparelhamento Bluetooth - dispositivo subsequente

7. Utilizar os auscultadores

Usar os auscultadores corretamente irá ajudar a garantir a melhor experiência possível. Consulte a Imagem 5. Como muitos auriculares, os PI5 são concebidos para selar o canal auditivo, para um desempenho ideal. As capas estão disponíveis em três tamanhos: pequeno, médio e grande. Encontrar o tamanho adequado para a sua orelha é fundamental para obter uma boa selagem e assegurar que os PI5 e as funcionalidades avançadas, como o cancelamento adaptativo de ruído, têm um desempenho ideal.

1. Identifique o auricular esquerdo e o direito através das identificações L e R que se encontram na parte de interior de cada auricular.
2. Coloque os auriculares no ouvido e rode-os ligeiramente para trás de forma que as capas encaixem confortavelmente na abertura do canal auditivo.
3. Se as capas dos auriculares forem demasiado grandes ou pequenas, experimente capas de outro tamanho para garantir o melhor encaixe possível.

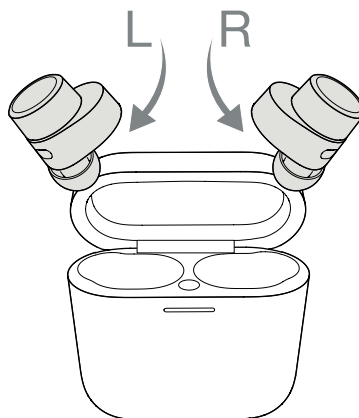
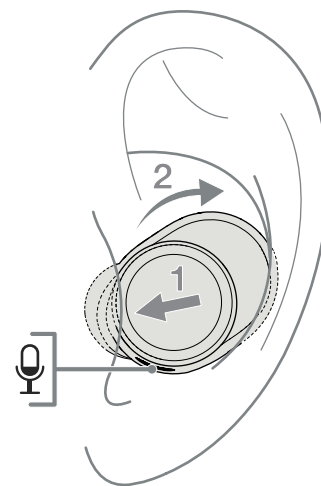


Imagem 5
Utilizar os auscultadores



Nota: Para otimizar a qualidade das chamadas, certifique-se de que o microfone situado por baixo do auricular está voltado para fora. Consulte a Imagem 5.

8. Reposição/Resolução de problemas

8.1 Reposição para os valores de fábrica

Pode limpar o histórico de dispositivos emparelhados e restaurar todas as predefinições.

Para repor os auriculares para os valores de fábrica, abra a caixa de carregamento com os auriculares lá dentro. Mantenha premido o botão dentro da caixa durante 5 segundos e, em seguida, solte-o. O indicador na caixa irá ficar vermelho para indicar a reposição.

NOTA: se os auriculares não estiverem a funcionar corretamente, realize uma reposição para os valores de fábrica para resolver o problema.

8.2 Reposição total

Para repor totalmente os auriculares, abra a caixa com os auriculares lá dentro. Mantenha premido o botão dentro da caixa durante 15 segundos até que o indicador LED fique iluminado a verde para indicar a conclusão do processo de reposição total.

NOTA: Em caso de falha séria do sistema (luz LED vermelha fixa), realize uma reposição total.

9. Manutenção dos auriculares

Pode limpar os auriculares dando toques ligeiros com um pano húmido até estarem limpos. Não utilize detergentes, nem álcool ou produtos de limpeza químicos/de artigos em pele, uma vez que podem danificar os auriculares.

10. Serviço/Apoio

Se precisar de ajuda com a resolução de um problema específico, ou se tiver apenas alguma questão, consulte inicialmente a secção de apoio relativa a auscultadores no Website da Bowers & Wilkins: www.bowerswilkins.com.

Especificações

Características técnicas	Tecnologia True Wireless Bluetooth 5.0 com tecnologia AptX Auto ANC Carregamento sem fios e USB-C Suporte para carregamento rápido
Codecs Bluetooth	AptX AAC SBC
Perfis Bluetooth	A2DP v1.3.1 AVRCP v1.6.1 HFP v1.7.1 HSP v1.2 BLE GATT (Perfil de Atributo Genérico)
Banda de frequências	Modo Tx: 2402 MHz a 2480 MHz, banda ISM, Modo Rx: 2402 MHz a 2480 MHz, banda ISM
Potência de saída RF	<10,0 dBm
Diafragmas	9,2 mm Dynamic Drive
Gama de frequências	10 Hz a 20 kHz
Distorção (THD)	<0,3% (1 kHz/10 mW)
Duração da bateria	Até 4 horas com Bluetooth
Carregamento	15 minutos de carga = 2 horas Bluetooth
Entradas	Bluetooth
Peso	7 g para os auriculares, 47 g para a caixa de carregamento

Benvenuto a Bowers & Wilkins e PI5

Grazie per aver scelto Bowers & Wilkins. Quando John Bowers fondò la nostra azienda, era convinto che il design creativo, l'ingegneria innovativa e la tecnologia avanzata fossero le chiavi che potevano offrire un'eccezionale esperienza acustica nelle abitazioni.

I PI5 sono auricolari in-ear ad alte prestazioni progettati per offrire un'esperienza audio personale mobile della massima qualità con la comodità offerta dalla funzione wireless e la serenità della cancellazione del rumore. In questo manuale, troverai tutto ciò che devi sapere per ottenere il massimo dai tuoi auricolari PI5.

I tuoi auricolari PI5 possono riprodurre musica in streaming in modalità wireless dal tuo telefono cellulare, tablet o computer tramite Bluetooth. Gli auricolari PI5 possono essere anche utilizzati per la telefonia wireless.

Le funzionalità "Real World Listening" di PI5 includono le nostre ultime innovazioni nelle tecnologie di Cancellazione del rumore adattiva, Pass-through ambientale e Wear Sensing. La nostra funzione di Cancellazione del rumore di ultima generazione è stata progettata ex novo con capacità di rilevamento intelligente dell'ambiente che seleziona automaticamente il tipo di cancellazione del rumore più adatto all'ambiente circostante, con l'unico obiettivo di offrire un'esperienza di ascolto senza compromessi. La funzione Pass-through ambientale consente di ascoltare chiaramente i suoni esterni, come le conversazioni o gli annunci, senza la necessità di rimuovere le cuffie. La funzione Wear Sensing, infine, consente agli auricolari PI5 di rispondere in modo naturale, sospendendo e riprendendo la musica quando si rimuove o si inserisce nuovamente uno degli auricolari nell'orecchio. Queste funzionalità possono essere abilitate e ulteriormente personalizzate tramite l'app Bowers & Wilkins Headphones disponibile gratuitamente per i dispositivi iOS e Android.

Gli auricolari PI5 sono forniti con una custodia di ricarica. Quando è completamente carica, a seconda dell'uso di Bluetooth, della cancellazione del rumore adattiva e del Pass-through ambientale, la custodia può fornire fino a 20 ore di streaming multimediale wireless continuo con cancellazione del rumore abilitata a un livello di volume medio.

1. Contenuto della confezione PI5

Auricolari PI5 con inserti (M)
Custodia di ricarica
Cavo per la ricarica USB-C
Inserti (S/L)
Manuale

2. Uso degli auricolari PI5

2.1 Accensione/spengimento degli auricolari

Accensione/spengimento

Gli auricolari PI5 non sono dotati di sistema di gestione dell'alimentazione; la gestione dell'alimentazione è automatica. Gli auricolari PI5 si caricheranno automaticamente quando vengono inseriti nella custodia di ricarica e saranno pronti per l'uso quando sono rimossi dalla custodia.

Se gli auricolari vengono rimossi dalla custodia di ricarica e non vengono utilizzati per 5 minuti, entreranno in modalità di risparmio energetico. Per attivare la modalità di risparmio energetico, basta utilizzare nuovamente gli auricolari collegando il dispositivo associato, riproducendo audio in streaming o inserendo gli auricolari nelle orecchie.

2.2 Comandi

Ciascun auricolare è dotato di un pulsante multifunzione situato sulla parte superiore dell'auricolare; vedere il Diagramma 1. I comandi disponibili con il pulsante multifunzione sono i seguenti:

Riproduzione di contenuti multimediali:

Funzione	Azione
Riproduzione o pausa	Premere una volta il pulsante multifunzione.
Riproduzione del brano successivo	Premere il pulsante multifunzione due volte in rapida successione.
Riproduzione del brano precedente	Premere il pulsante multifunzione tre volte in rapida successione.

Funzioni di chiamata:

Funzione	Azione
Risposta a una chiamata	Premere una volta il pulsante multifunzione con la chiamata in arrivo.
Terminazione della chiamata	Con una chiamata in arrivo, premere il pulsante multifunzione due volte in rapida successione.
Per rifiutare una chiamata in arrivo	Con una chiamata in arrivo, premere il pulsante multifunzione due volte in rapida successione.

3. Funzioni intelligenti

3.1 Cancellazione del rumore adattiva

La cancellazione del rumore combina una serie di tecnologie all'avanguardia che contribuiscono a eliminare i rumori indesiderati provenienti dall'ambiente circostante.

Gli auricolari PI5 offrono le ultime innovazioni in termini di cancellazione del rumore adattiva, con un sistema di rilevamento a sensori che regola il livello di cancellazione in base all'ambiente circostante. Al variare dell'ambiente in cui l'utente si trova, la cancellazione del rumore si adatterà automaticamente in base alla nuova situazione.

La funzionalità della Cancellazione del rumore adattiva viene attivata premendo il pulsante multifunzione sull'auricolare sinistro (L) per 1 secondo; ulteriori pressioni di 1 secondo consentono di scorrere le modalità: On, Auto oppure Off (Attiva, auto o spenta). Vedere il Diagramma 2 per la posizione del pulsante.

Modalità	Applicazione
On	Rimuove i rumori indesiderati dall'ambiente circostante.
Auto	Regola in modo intelligente la cancellazione del rumore selezionando il livello più adatto in base all'ambiente.
Off	Disattiva la funzione di cancellazione del rumore.

3.2 Assistente vocale

La funzione dell'Assistente vocale viene attivata premendo il pulsante multifunzione sull'auricolare destro (R) per 1 secondo. Vedere il Diagramma 2 per la posizione del pulsante.

3.3 Pass-through ambientale

Gli auricolari PI5 sono dotati di Pass-through ambientale, una funzione che consente di ascoltare alcuni rumori ambientali, come gli annunci o le conversazioni, senza dover rimuovere gli auricolari.

La funzione Pass-through ambientale può essere abilitata o disabilitata tramite l'app Bowers & Wilkins Headphones. Il livello di Pass-through ambientale, High/Low/Off (alto, basso spento), può essere regolato in base alle proprie esigenze tramite l'app.

3.4 Sensori di rilevamento

Gli auricolari PI5 sono dotati dei nostri ultimi sensori di rilevamento, i cosiddetti Wear Sensors. I sensori consentono di ridurre il consumo della batteria entrando in modalità di risparmio energetico quando gli auricolari vengono rimossi dalle orecchie. Quando gli auricolari vengono nuovamente indossati, si riattivano automaticamente e si riconnettono all'ultimo dispositivo Bluetooth connesso.

I sensori mettono anche in pausa l'audio quando gli auricolari vengono rimossi dalle orecchie. La riproduzione riprenderà automaticamente quando gli auricolari vengono riposizionati nell'orecchio. Il riavvio automatico della riproduzione è stato ulteriormente ottimizzato in modo che si attivi solo quando necessario.

I sensori di rilevamento possono essere disattivati tramite l'app Bowers & Wilkins Headphone.

Nota: prestare particolare attenzione quando si indossano gli auricolari; i capelli o gli accessori intrappolati tra le orecchie e gli auricolari possono interferire con il funzionamento dei sensori di prossimità.

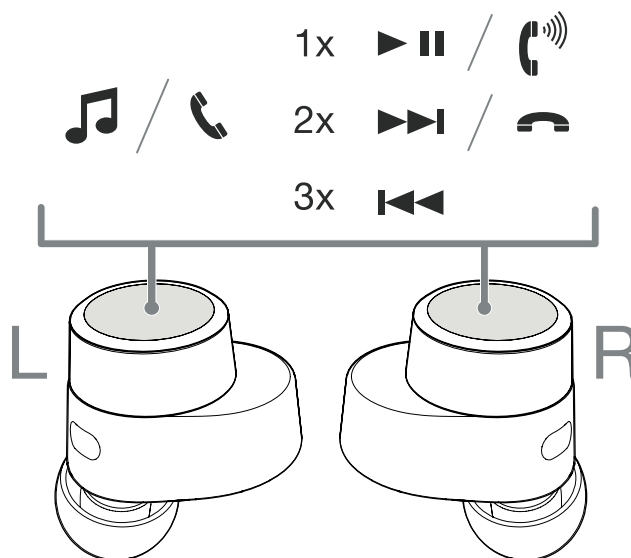


Diagramma 1
Pulsante multifunzione

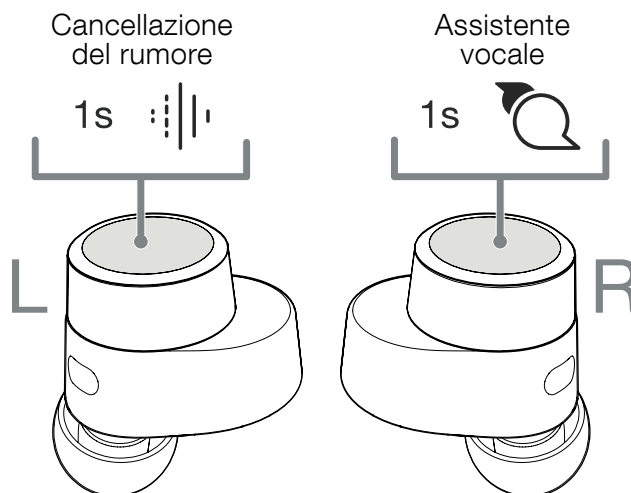


Diagramma 2
Comandi degli auricolari

4. Come conservare gli auricolari

Quando non vengono utilizzati, gli auricolari PI5 devono essere riposti all'interno della custodia di ricarica dove verranno ricaricati per un utilizzo futuro.

5. Ricarica delle batterie

Gli auricolari PI5 vengono forniti con la custodia e le batterie parzialmente cariche e possono essere quindi utilizzati immediatamente. Per il risultato migliore, consigliamo di caricare completamente gli auricolari prima del loro primo utilizzo. La ricarica completa richiede fino a 3 ore.

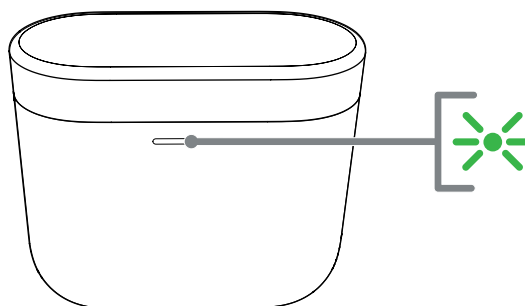
Per caricare gli auricolari PI5:

1. Posizionare gli auricolari PI5 nella custodia di ricarica.
2. Chiudere il coperchio della custodia di ricarica.

Per caricare la custodia di ricarica PI5:

1. Utilizzare il cavo di ricarica USB in dotazione e collegare la spina USB a un caricatore a parete USB o a una presa USB alimentata sul computer.
2. Collegare quindi l'estremità USB-C alla presa USB-C sulla custodia di ricarica.

Nota: durante la carica, la spia sulla custodia lampeggia in verde. A carica completa, la spia rimarrà illuminata. La custodia può essere caricata con o senza gli auricolari all'interno della custodia.



Per caricare la custodia PI5 con una base di ricarica wireless:

1. Posizionare la custodia di ricarica sulla base di ricarica wireless.
2. Assicurarsi che il retro della custodia di ricarica si trovi sulla base di ricarica (con la spia della custodia rivolta verso l'alto).

Nota: durante la carica, la spia sulla custodia lampeggia in verde. A carica completa, la spia rimarrà illuminata.

5.1 Spia di stato

La spia di stato è situata sulla parte anteriore della custodia. Quando gli auricolari sono inseriti nella custodia, il LED fornisce informazioni sugli auricolari. Quando gli auricolari vengono rimossi dalla custodia, il LED fornisce informazioni sulla custodia di ricarica. Per gli stati del LED, vedere il Diagramma 3.

Con gli auricolari nella custodia di ricarica

Illuminazione		Stato funzionamento
Verde (coperchio della custodia aperto)		Carica della batteria degli auricolari >40%
Giallo (dopo l'accensione)		Carica della batteria degli auricolari >20%, <40%
Rosso (dopo l'accensione)		Carica della batteria degli auricolari <20%
Rosso (lampeggiante)		Ripristino alle impostazioni di fabbrica degli auricolari
Rosso (fisso)		Hard reset/crash del sistema
Blu (lampeggiante)		Modalità associazione abilitata
Blu (fisso per 3 sec.)		Associazione riuscita

Con gli auricolari rimossi dalla custodia di ricarica

Illuminazione		Stato funzionamento
Verde (coperchio della custodia aperto)		Carica della batteria >40%
Giallo (dopo l'accensione)		Carica della batteria >20%, <40%
Rosso (dopo l'accensione)		Carica della batteria <20%
Rosso (lampeggiante)		Ripristino alle impostazioni di fabbrica
Rosso (fisso)		Hard reset/crash del sistema

Diagramma 3

Illuminazione della spia di stato

6. Connettività Bluetooth

6.1 Associazione

Gli auricolari PI5 sono progettati per riprodurre musica in streaming in modalità wireless da dispositivi audio Bluetooth, come smartphone, tablet o computer. Per farlo, gli auricolari e il dispositivo devono prima essere associati.

Quando si ricevono gli auricolari PI5, saranno pronti per l'associazione a qualsiasi dispositivo audio Bluetooth.

6.1.1 Sistema iOS / Sistema Android con Google FastPair.

1. Scaricare l'app Bowers & Wilkins Headphones.
2. Aprire il coperchio della custodia; la spia sulla custodia lampeggerà in blu.
3. Andare al menu di associazione Bluetooth del dispositivo e selezionare "Bowers & Wilkins PI5" dall'elenco dei dispositivi.
4. La spia sulla custodia diventerà blu fissa a indicare che l'associazione è riuscita.
5. Aprire l'app Bowers & Wilkins e aggiungere gli auricolari.

Nota: gli auricolari lasceranno automaticamente la modalità di associazione Bluetooth se nessun dispositivo viene associato entro 5 minuti. Se l'associazione non riesce, la spia lampeggia rapidamente in blu; provare a eseguire di nuovo l'associazione.

Per associare un dispositivo successivo. Vedere il Diagramma 4:

1. Aprire il coperchio della custodia con gli auricolari posti all'interno della custodia.
2. Premere senza rilasciare il pulsante all'interno della custodia per 1-5 secondi; la spia della custodia lampeggerà in blu.
3. Andare al menu di associazione Bluetooth del nuovo dispositivo e selezionare "Bowers & Wilkins PI5" dall'elenco dei dispositivi.
4. La spia sulla custodia diventerà blu fissa a indicare che l'associazione è riuscita.

Gli auricolari PI5 possono ricordare fino a 4 dispositivi Bluetooth associati. Ripetere i passaggi precedenti per associare più dispositivi.

Nota: gli auricolari lasceranno automaticamente la modalità di associazione Bluetooth se nessun dispositivo viene associato entro 5 minuti. Se l'associazione non riesce, la spia lampeggia rapidamente in blu; provare a eseguire di nuovo l'associazione.

6.1.2 Google FastPair (per sistema Android con funzionalità GFP integrata)

Per aggiungere gli auricolari:

1. Posizionare la custodia a una distanza non superiore a 10 cm dal dispositivo Android (compatibile con BT) e aprire il coperchio della custodia PI5.
2. Viene visualizzata una finestra di notifica GFP (Google FastPair) con il messaggio "Bowers & Wilkins PI5 rilevati", richiedendo di avviare il processo di associazione.
3. Premere il pulsante "Notifica" nella finestra per abilitare l'associazione; se la connessione riesce, sarà visualizzata nella finestra GFP.
4. Dopo l'associazione:
 - o La finestra GFP indirizzerà l'utente al Google Play Store per scaricare e installare l'app Bowers & Wilkins.
 - o L'auricolare L/R e il livello della batteria della custodia possono essere visualizzati nella finestra GFP.

6.2 Disconnessione da un dispositivo

È possibile disconnettere rapidamente gli auricolari PI5 da un dispositivo rimettendo gli auricolari nella custodia. In alternativa, è possibile gestire la connessione in modo più dettagliato utilizzando l'app Bowers & Wilkins Headphones in "Collegamenti".

6.3 Funzioni dell'app

L'app Bowers & Wilkins Headphones offre impostazioni e regolazioni estese per funzioni quali Cancellazione del rumore adattiva, Pass-through ambientale e Wear Sensing. L'app consente anche ulteriori personalizzazioni come messaggi vocali, livello di Pass-through ambientale, gestione della connessione e aggiornamenti del software degli auricolari. L'app è disponibile come download gratuito per dispositivi iOS e Android.

Per aggiungere gli auricolari:

1. Usare il dispositivo mobile per scaricare e installare l'app Bowers & Wilkins Headphones.
2. Lanciare l'app e seguire le istruzioni relative alle notifiche e alle autorizzazioni dell'app.
3. Dopo aver raggiunto la schermata principale, toccare semplicemente + e seguire le istruzioni in-app.

6.4 Aggiornamento del software degli auricolari

Bowers & Wilkins occasionalmente rende disponibili aggiornamenti software che perfezionano e ottimizzano le prestazioni degli auricolari o aggiungono nuove funzionalità.

L'app Bowers & Wilkins Headphones avvisa l'utente quando è disponibile un aggiornamento software; toccare la notifica e seguire le istruzioni in-app.

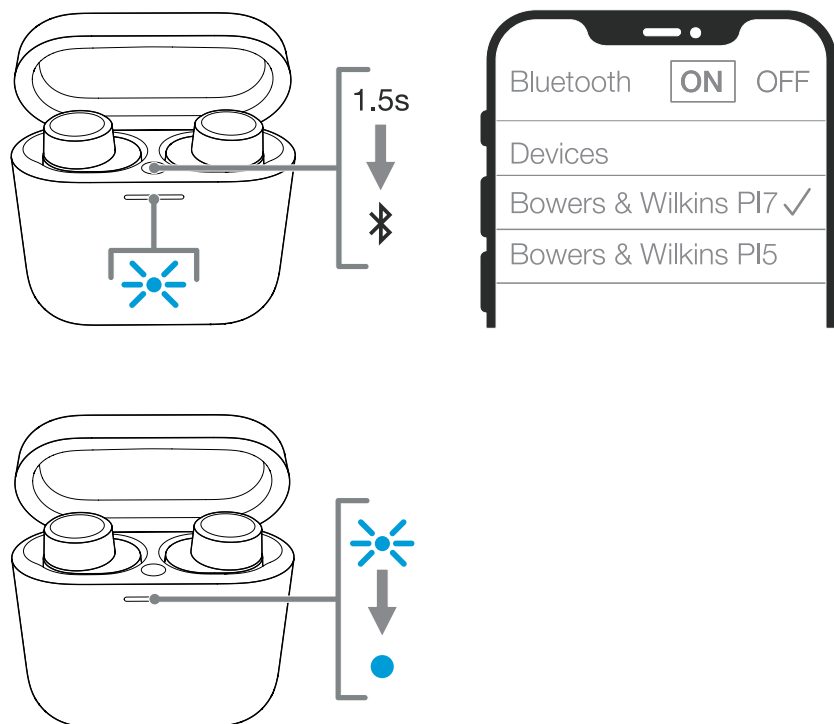


Diagramma 4
Associazione Bluetooth - secondo dispositivo

7. Come indossare gli auricolari

Indossare correttamente gli auricolari aiuterà a ottenere la migliore esperienza possibile; vedere il Diagramma 5. Come molti prodotti in-ear, gli auricolari PI5 sono progettati per aderire perfettamente al condotto uditivo e offrire una performance ottimale. Inserti sono disponibili in tre taglie (small, medium e large). Usare la taglia corretta per l'orecchio è fondamentale per ottenere una buona aderenza e garantire che gli auricolari PI5 e le funzionalità avanzate come la cancellazione adattiva del rumore funzionino in modo ottimale.

1. Identificare l'auricolare sinistro e destro tramite le lettere L e R sulla parte interna di ciascun auricolare.
2. Posizionare gli auricolari nell'orecchio e ruotarli leggermente all'indietro in modo che gli inserti siano comodamente posizionati all'interno del condotto uditivo.
3. Se l'inserto dell'auricolare è troppo grande o troppo piccolo, provare un inserto di taglia diversa per una vestibilità ottimale.

Nota: per ottimizzare la qualità delle chiamate, assicurarsi che il microfono situato sotto l'auricolare sia rivolto verso l'esterno; vedere il Diagramma 5.

8. Ripristino/Risoluzione dei problemi

8.1 Ripristino alle impostazioni di fabbrica

È possibile cancellare la cronologia dei dispositivi associati e ripristinare tutte le impostazioni ai valori predefiniti.

Per ripristinare gli auricolari alle impostazioni di fabbrica, aprire la custodia di ricarica con gli auricolari inseriti all'interno. Tenere premuto il pulsante all'interno della custodia per 5 secondi e quindi rilasciare. La spia sulla custodia diventerà rossa a indicare il ripristino.

NOTA: nel caso in cui gli auricolari non funzionino correttamente, eseguire un ripristino alle impostazioni di fabbrica per risolvere il problema.

8.2 Hard Reset

Per un hard reset degli auricolari, aprire la custodia di ricarica con gli auricolari inseriti all'interno. Tenere premuto il pulsante all'interno della custodia per 15 secondi fino a quando la spia LED non si spegne e quindi si illumina in verde a indicare il completamento del processo di hard reset.

NOTA: nel caso di un arresto anomalo del sistema (spia LED rossa fissa), eseguire un hard reset.

9. Cura degli auricolari

Gli auricolari possono essere puliti con un panno umido. Non utilizzare detergenti, alcol denaturato o detergenti/lucidanti chimici, poiché potrebbero danneggiare gli auricolari.

10. Assistenza/Supporto

Se si ha bisogno di assistenza per la risoluzione di un problema specifico o se si hanno domande specifiche, consultare inizialmente la sezione del supporto delle cuffie sul sito web Bowers & Wilkins: www.bowerswilkins.com.

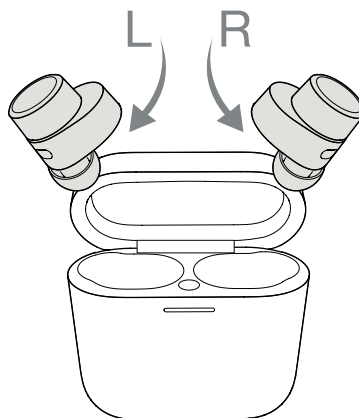
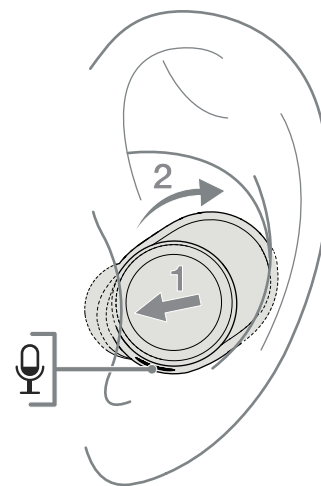


Diagramma 5
Come indossare gli auricolari



Specifiche

Caratteristiche tecniche	Vera tecnologia wireless Bluetooth 5.0 con tecnologia AptX Adaptive Auto ANC Ricarica wireless e USB-C Supporto per Fast Charging
Codec Bluetooth	AptX AAC SBC
Profili Bluetooth	A2DP v1.3.1 AVRCP v1.6.1 HFP v1.7.1 HSP v1.2 BLE GATT (Generic Attribute Profile)
Banda di frequenza	Modalità Tx: 2.402 MHz - 2.480 MHz, Banda ISM Modalità Rx: 2.402 MHz - 2.480 MHz, Banda ISM
Potenza uscita RF	<10,0 dBm
Unita driver	Driver dinamico di 9,2mm
Risposta in frequenza	10 Hz - 20 kHz
Distorsione (THD)	<0,3% (1k Hz/10 mW)
Autonomia della batteria	Fino a 4 ore Bluetooth
Carica	Carica di 15 minuti = 2 ore Bluetooth
Ingressi	Bluetooth
Peso	7 g per gli auricolari, 47 g per la custodia di ricarica

Добро пожаловать в Bowers & Wilkins и P15

Благодарим вас за выбор продуктов Bowers & Wilkins. Наш основатель, Джон Бауэрс (John Bowers) верил в то, что творческий подход в проектировании, новаторская конструкция и передовые технологии смогут открыть людям путь к подлинному звучанию продуктов Bowers & Wilkins.

P15 – это высококачественные вставные наушники, сконструированные для того, чтобы обеспечить наивысшее качество мобильного персонального аудио в сочетании с удобствами беспроводной работы и безмятежностью, благодаря подавлению шумов и помех. В этой Инструкции описано все, что вам нужно знать, чтобы получить максимальную отдачу от ваших наушников P15.

Ваши наушники P15 могут воспроизводить музыку, передаваемую без проводов с вашего мобильного телефона, планшета или компьютера через Bluetooth. P15 также могут использоваться для беспроводной телефонии.

Функции прослушивания в реальном мире P15 (Real World Listening) включают в себя наши последние инновации в области адаптивного шумоподавления (Adaptive Noise Cancellation – ANC), сквозного пропуска окружающих звуков (Ambient Pass-Through) и усовершенствованные технологии сенсоров надевания наушников (Wear Sensing).

Наша функция шумоподавления последнего поколения была разработана буквально с нуля, с использованием интеллектуальных возможностей оценки параметров окружающей среды. Она автоматически выбирает соответствующий тип шумоподавления, наиболее подходящий для вашего окружения, и ее единственная цель – обеспечить бескомпромиссное качество звука при прослушивании.

Сквозной пропуск окружающих звуков позволяет четко слышать все внешние звуки, такие как разговоры или объявления о безопасности, без необходимости снимать наушники. Функция определения надевания наушников позволяет P15 естественно реагировать на ваши действия, приостанавливая и возобновляя музыку, когда вы вынимаете наушник из уха или вставляете его обратно.

Эти функции могут быть активированы и дополнительно настроены с помощью приложения Bowers & Wilkins Headphone App для наушников, которое доступно бесплатно на устройствах под iOS и Android.

В наушниках P15 и в чехле для них установлены аккумуляторы. От одной полной зарядки, в зависимости от степени использования Bluetooth, функций Adaptive Noise Cancellation и Ambient Pass-Through они могут проработать до 20 часов подряд – в режиме беспроводного стриминга музыки с шумоподавлением и при среднем уровне громкости.

1. Содержимое упаковки P15

Наушники P15 с ушными вставками (M)
Зарядный чехол
Зарядный кабель USB-C
Ушные вставки (S/L: средние и большие)
Комплект документации

2. Знакомство с наушниками P15

2.1 Включение/выключение наушников

Включение/выключение

P15 не имеют выключателя, вместо этого управление питанием происходит автоматически. Ваши наушники P15 будут автоматически заряжаться, когда находятся в зарядном чехле, и будут готовы к использованию, как только вы их вынете из чехла.

Если вы извлекли наушники из чехла и не используете их в течение 5 минут, они автоматически перейдут в режим энергосбережения. Чтобы выйти из этого режима, снова начните использовать наушники, подключив к ним сопряженное устройство, запустив стриминг аудио или просто вставив наушники в уши.

2.2 Управление наушниками

Каждый наушник имеет многофункциональную кнопку, расположенную на верхней крышке, см. Diagram 1. Многофункциональная кнопка работает следующим образом:

Воспроизведение медиа:

Функция	Действие
Воспроизведение	Нажмите
Play или пауза	многофункциональную кнопку один раз.
Переход к воспроизведению следующего трека	Нажмите многофункциональную кнопку два раза быстро.
Переход к воспроизведению предыдущего трека	Нажмите многофункциональную кнопку три раза быстро.

Функции телефонных звонков:

Функция	Действие
Ответить на звонок	Нажмите многофункциональную кнопку один раз при входящем вызове.
Закончить разговор	Нажмите многофункциональную кнопку два раза быстро в ходе входящего разговора.
Отклонить входящий вызов	Нажмите многофункциональную кнопку два раза быстро при вызове.

3. Интеллектуальные функции

3.1 Адаптивное шумоподавление

Шумоподавление – это серия передовых технологий, которые помогают устранить в наушниках нежелательные шумы, поступающие из окружающей среды.

P15 оснащены нашими последними инновациями в области адаптивного шумоподавления, включая интеллектуальное измерение параметров шума, которое помогает адаптировать систему шумоподавления и выбрать настройку, наиболее подходящую для вашей окружающей среды. По мере изменения свойств вашего окружения шумоподавление будет автоматически адаптироваться к вашей новой среде.

Функция шумоподавления активируется нажатием многофункциональной кнопки на левом (L) наушнике в течение 1 секунды, а дополнительные 1-секундные нажатия позволяют перебирать режимы: On, Auto или Off. Расположение кнопки показано на Diagram 2.

Режим	Действие
On	Устраняет нежелательные шумы, поступающие из окружающей среды.
Auto	Интеллектуально адаптирует систему шумоподавления и выбирает настройку, наиболее подходящую для вашей окружающей среды
Off	Отключает функции шумоподавления

3.2 Голосовые ассистенты

Голосовой ассистент (Voice Assistance) активируется нажатием многофункциональной кнопки на правом (R) наушнике в течение 1 секунды. Расположение кнопки показано на Diagram 2.

3.3 Сквозной пропуск окружающих звуков

P15 оснащены функцией сквозного пропуска окружающих звуков (Ambient Pass-Through), которая позволяет проникать внутрь некоторым из них, таким, например, как оповещения или разговоры, чтобы слышать их, не вынимая наушники.

Функция сквозного пропуска может быть активирована или отключена из приложения Bowers & Wilkins Headphone App. В нем можно также выбрать степень пропуска внешних звуков – High/Low/Off, соответствующую вашим пожеланиям.

3.4 Сенсоры надевания наушников

В обоих наушниках P15 используется последняя, улучшенная версия наших сенсоров надевания наушников. Они активируют режим экономии расхода энергии аккумулятора, переводя наушники в него, когда вы их вынимаете из ушей. При повторном надевании, P15 автоматически пробуждаются и соединяются с последним сопряженным Bluetooth устройством.

Сенсоры делают также паузу в воспроизведении аудио, когда вы вынимаете наушники из ушей. Воспроизведение автоматически возобновляется, если вновь вставить наушники в уши. Автозапуск музыки был дополнительно оптимизирован так, чтобы он был готов только тогда, когда вы готовы слушать музыку.

Сенсоры надевания наушников можно отключить из приложения Bowers & Wilkins Headphone App.

Примечание: будьте внимательны при использовании наушников, т.к. волосы или какие-либо аксессуары либо украшения, попавшие между вашими ушами и наушниками могут помешать работе сенсоров приближения.

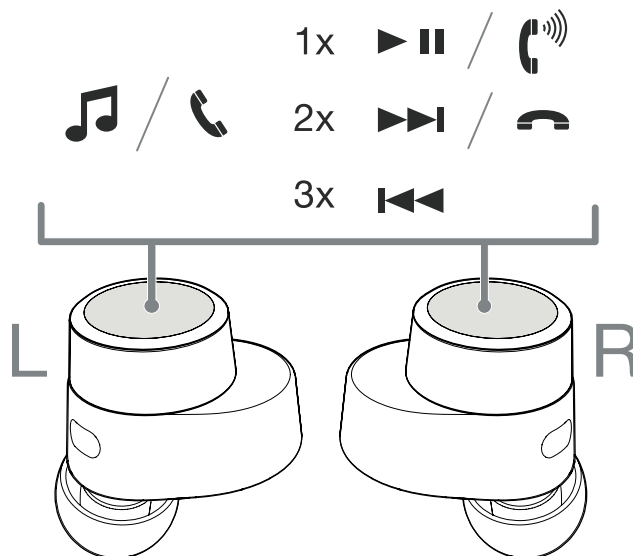


Diagram 1
Многофункциональная кнопка

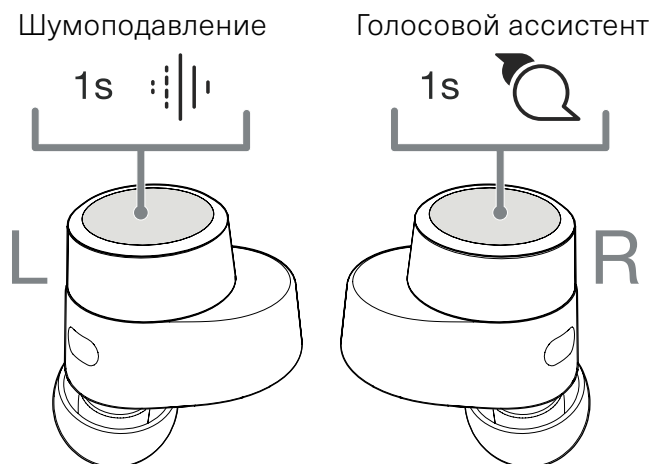


Diagram 2
Органы управления наушников

4. Хранение наушников

Когда наушники P15 не используются, их следует хранить в зарядном чехле, где они будут подзаряжаться и готовиться к использованию в будущем.

5. Зарядка аккумулятора

P15 поставляется с частично заряженными аккумуляторами чехла и наушников, и могут быть сразу же использованы. Однако для наилучшей эксплуатации мы рекомендуем полностью зарядить наушники перед первым использованием. Пожалуйста, уделите им до 3 часов для полной зарядки.

Чтобы зарядить наушники P15:

1. Положите наушники P15 в зарядный чехол.
2. Закройте крышку зарядного чехла.

Чтобы зарядить зарядный чехол P15:

1. Используйте прилагаемый USB-кабель для зарядки и подключите USB-разъем к настенному зарядному устройству USB или же к USB-разъему компьютера с питанием.
2. Затем подключите конец USB-C к разъему USB-C зарядного чехла.

Примечание: Во время зарядки индикатор чехла будет мигать зеленым цветом. При полной зарядке индикатор будет гореть постоянно. Чехол можно заряжать как с наушниками, размещенными внутри него, так и без них.

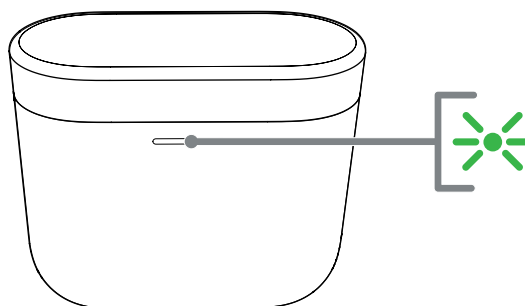
Чтобы зарядить зарядный чехол P15 с помощью беспроводной зарядной станции:

1. Установите зарядный чехол на беспроводную зарядную станцию.
2. Убедитесь, что доннышко зарядного чехла находится на поверхности беспроводной зарядной станции (при этом индикатор должен быть наверху).

Примечание: Во время зарядки индикатор чехла будет мигать зеленым цветом. При полной зарядке этот индикатор будет гореть постоянно.

5.1 Индикатор состояния

Индикатор состояния расположен на лицевой стороне чехла. Когда наушники находятся внутри чехла, светодиод LED выдает информацию о них. Когда наушники вынуты из чехла, светодиод LED выдает информацию о состоянии зарядного чехла. Расшифровка индикации приведена в Diagram 3.



Когда наушники находятся в зарядном чехле

Свечение индикатора		Состояние
Зеленый (крышка чехла открыта)		Заряд аккумуляторов в наушниках > 40%
Желтый (после включения)		Заряд аккумуляторов в наушниках >20%, <40%
Красный (после включения)		Заряд аккумуляторов в наушниках <20%
Красный (мигающий)		Сброс заводских настроек наушников
Красный (постоянный)		Аппаратный сброс /отказ системы
Синий (мигающий)		Активирован режим сопряжения
Синий (3 секунды постоянный)		Сопряжение прошло успешно

Когда наушники вынуты из зарядного чехла

Свечение индикатора		Состояние
Зеленый (крышка чехла открыта)		Аккумуляторы в наушниках заряжаются > 40%
Желтый (после включения)		Аккумуляторы в наушниках заряжаются >20%, <40%
Красный (после включения)		Аккумуляторы в наушниках заряжаются <20%
Красный (мигающий)		Сброс заводских настроек
Красный (постоянный)		Аппаратный сброс /отказ системы

Diagram 3
Индикация состояния

6. Bluetooth соединение

6.1 Сопряжение наушников

Ваши наушники PI5 предназначены для беспроводного приема потоковой музыки с Bluetooth устройств, таких как смартфоны, планшеты или персональные компьютеры. Для этого сначала необходимо выполнить сопряжение наушников и устройства (источника).

Когда вы получите наушники PI5, они будут готовы к сопряжению с любым Bluetooth аудио устройством.

6.1.1 Для устройств под iOS / Android без Google FastPair.

1. Скачайте приложение Bowers & Wilkins Headphone App.
2. Откройте крышку чехла, и индикатор начнет мигать синим светом.
3. Войдите в меню сопряжения по Bluetooth вашего устройства источника и выберите "Bowers & Wilkins PI5" из списка устройств.
4. Индикатор чехла начнет гореть постоянным синим светом, если сопряжение прошло успешно.
5. Откройте приложение Bowers & Wilkins и добавьте наушники.

Примечание: Ваши наушники автоматически отключат режим сопряжения по Bluetooth, если в течение 5 минут ни одно устройство не будет сопряжено. Если сопряжение не удастся и индикатор быстро мигнет синим цветом, пожалуйста, повторите попытку сопряжения.

Для сопряжения с еще одним устройством. См. Diagram 4:

1. Откройте крышку чехла, пока наушники находятся внутри него.
2. Нажмите и удерживайте кнопку внутри корпуса в течение 1 – 5 секунд, при этом индикатор на корпусе будет мигать синим цветом.
3. Перейдите в меню сопряжения Bluetooth вашего нового устройства и выберите "Bowers & Wilkins PI5" из списка устройств.
4. Индикатор на чехле сменит свои показания на постоянный синий цвет, чтобы указать, что сопряжение прошло успешно.

PI5 может запоминать до 4 сопряженных устройств Bluetooth. Повторите описанные выше шаги, чтобы выполнить сопряжение с другими устройствами.

Примечание: Ваши наушники автоматически отключат режим сопряжения по Bluetooth, если в течение 5 минут ни одно устройство не будет сопряжено. Если сопряжение не удастся и индикатор быстро мигнет синим цветом, пожалуйста, повторите попытку сопряжения.

6.1.2 Google FastPair (для устройств под Android с встроенной функцией GFP)

Для того, чтобы добавить ваши наушники:

1. Поместите чехол не дальше, чем на 10 см от Android устройства (с поддержкой BT) и откройте крышку корпуса PI5.
2. Появится окно уведомления GFP (Google FastPair) с надписью "Bowers & Wilkins PI5 detected" и запросом на запуск процесса сопряжения.
3. Нажмите кнопку "Notification" ("Уведомление") в окне, чтобы запустить сопряжение, и если соединение будет успешным, то это будет показано в окне GFP.
4. После успешного сопряжения:
 - o Окно GFP направит вас в Google Play store для загрузки и установки приложения Bowers & Wilkins.
 - o В окне GFP можно будет увидеть уровень заряда аккумуляторов левого и правого L/R наушников и зарядного чехла.

6.2 Отсоединение от устройства

Вы можете быстро отключить PI5 от устройства, положив наушники обратно в чехол. Кроме того, вы можете более подробно управлять подключением с помощью приложения Bowers & Wilkins Headphones в разделе Connections.

6.3 Функции приложения

Приложение для наушников Bowers & Wilkins обеспечивает расширенную настройку и задание таких функций, как адаптивное шумоподавление (Adaptive Noise Cancellation), сквозной пропуск звуков (Ambient Pass-Through) и сенсоры надевания. Приложение также предоставляет дополнительные настройки, такие как голосовая подсказка, уровень пропуска окружающих звуков, управление подключением и обновления программного обеспечения для наушников. Приложение доступно для бесплатной загрузки на устройствах iOS и Android.

Для того, чтобы добавить ваши наушники:

1. С вашего мобильного устройства загрузите и установите приложение для наушников Bowers & Wilkins.
2. Запустите приложение, затем прочитайте и следуйте инструкциям, касающимся уведомлений и разрешений приложения.
3. Перейдя на главный экран, просто нажмите + и следуйте инструкциям в приложении.

6.4 Обновление ПО наушников

Bowers & Wilkins время от времени будут предоставлять обновления программного обеспечения, которые улучшают и оптимизируют качество работы ваших наушников или добавляют новые возможности.

Приложение для наушников Bowers & Wilkins уведомит вас о наличии обновления программного обеспечения, после этого нажмите на уведомление и следуйте инструкциям в приложении.

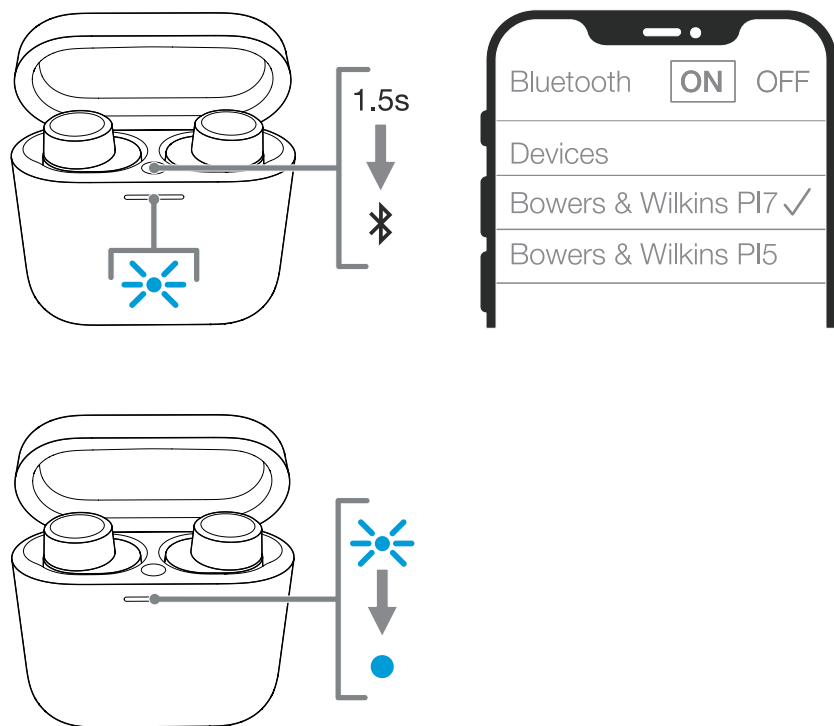


Diagram 4

Сопряжение по Bluetooth – очередное устройство

7. Как правильно носить наушники

Правильное ношение наушников поможет вам получить наилучшие впечатления от прослушивания, см. Diagram 5. Как и многие наушники-вкладыши, вставные наушники P15 используют герметизацию слухового канала для оптимальной работы. Ушные наконечники бывают трех размеров (маленькие, средние и большие). Поиск подходящего размера для вашего уха имеет решающее значение для получения хорошего прилегания и звучания P15, а также для оптимальной работы расширенных функций, таких как адаптивное шумоподавление.

1. Определите левый и правый наушник, найдя пометки L и R, расположенные на внутренней стороне каждого наушника.
2. Вставьте наушники в уши и слегка поверните их назад, чтобы кончики удобно соприкасались с отверстием ушного канала.
3. Если наконечник наушника кажется слишком большим или маленьким, попробуйте другой размер, чтобы обеспечить наилучшую посадку.

Примечание: Для оптимизации качества телефонных звонков убедитесь, что микрофон, расположенный под наушником, обращен наружу, см. Diagram 5.

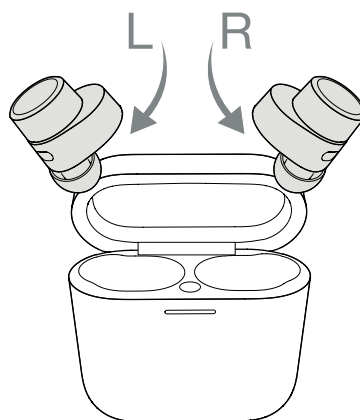
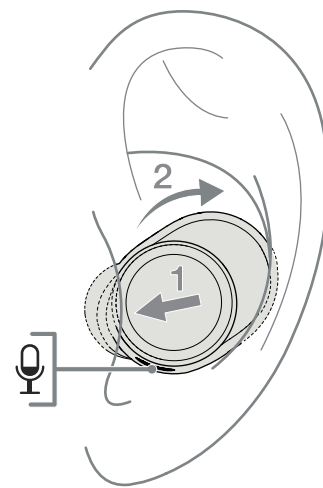


Diagram 5
Ношение наушников



8. Сброс/Устранение неполадок

8.1 Сброс к заводским настройкам

Вы можете очистить историю сопряжения устройств и восстановить все настройки по умолчанию.

Чтобы сбросить заводские настройки наушников, откройте чехол для зарядки с наушниками, помещенными внутрь. Нажмите и удерживайте кнопку на внутренней стороне корпуса в течение 5 секунд и затем отпустите. Индикатор на корпусе загорится красным, указывая на сброс.

ПРИМЕЧАНИЕ: В случае, если наушники не функционируют правильно, пожалуйста, выполните сброс к заводским настройкам, чтобы решить проблему.

8.2 Жесткий сброс

Чтобы выполнить жесткий сброс наушников, откройте чехол с наушниками, помещенными внутрь. Нажмите и удерживайте кнопку внутри корпуса в течение 15 секунд, пока светодиодный индикатор не погаснет и не загорится вновь зеленым цветом, указывая на завершение процесса жесткого сброса.

ПРИМЕЧАНИЕ: При серьезном сбое системы (постоянно горит красный светодиод), пожалуйста, выполните жесткий сброс.

9. Уход за наушниками

Ваши наушники можно протирать влажной тканью и аккуратно промокнуть, до тех пор, пока они не станут чистыми. Не используйте чистящие средства, спирт для протирания или химические чистящие/полирующие средства – в противном случае это может привести к повреждению наушников.

10. Сервис / Поддержка

Если вам нужна помощь в устранении конкретной проблемы или просто у вас есть вопрос, на который вы хотели бы получить ответ, пожалуйста, сначала обратитесь к разделу поддержки наушников на веб-сайте Bowers & Wilkins: www.bowerswilkins.com.

Технические характеристики

Достоинства	Технология True Wireless – подлинно беспроводная Технология Bluetooth 5.0 с AptXAdaptive Шумоподавление – Auto ANC Зарядка беспроводная и через USB-C Поддержка быстрой зарядки
Bluetooth кодеки	AptX AAC SBC
Bluetooth профили	A2DP v1.3.1 AVRCP v1.6.1 HFP v1.7.1 HSP v1.2 BLE GATT (Generic Attribute Profile)
Диапазон частот связи	Tx режим: 2402МГц - 2480 МГц, ISM Band Rx режим: 2402 МГц - 2480 МГц, ISM Band
Выходная мощность	RF < 10.0 dBm
Динамики	9,2-мм динамик
Диапазон частот	10Гц – 20 кГц
Искажения (THD)	<0.3% (1кГц/10 мВт)
Время работы от аккумулятора	До 4 часов с Bluetooth
Подзарядка	15 мин. зарядки = 2 часа с Bluetooth
Входы	Bluetooth, USB-C
Прилагаемые аксессуары	Кабель 20 см USB-C - USB-C
Вес	7 г наушники, 47 г зарядный чехол

Καλωσορίσατε στην Bowers & Wilkins και το P15

Σας ευχαριστούμε που επιλέξατε την Bowers & Wilkins. Ο John Bowers ίδρυσε την εταιρεία μας με την πεποίθηση ότι η ευφάνταστη σχεδίαση, η καινοτομία στην ανάπτυξη και η εξελιγμένη τεχνολογία θα ήταν τα κλειδιά που θα άνοιγαν νέους κόσμους απόλαυσης του ήχου στο σπίτι.

Τα P15 είναι ενδοωτικά ακουστικά υψηλής απόδοσης, σχεδιασμένα ώστε να σας παρέχουν την καλύτερη δυνατή ηχητική εμπειρία για φορητές συσκευές, σε συνδυασμό με την άνεση της ασύρματης λειτουργίας και τη γαλήνη της εξουδετέρωσης θορύβου. Σε αυτό το εγχειρίδιο θα μάθετε όλα όσα πρέπει να γνωρίζετε, για να αξιοποιήσετε απόλυτα τα ακουστικά P15.

Τα ακουστικά P15 μπορούν να αναπαράγουν ασύρματη ροή μουσικής από το κινητό τηλέφωνο, το tablet ή τον υπολογιστή σας μέσω Bluetooth. Τα P15 μπορούν επίσης να χρησιμοποιηθούν για ασύρματη τηλεφωνία.

Οι δυνατότητες Real World Listening (Πραγματική ακρόαση) των ακουστικών P15 περιλαμβάνουν τις τελευταίες μας καινοτομίες στις τεχνολογίες Adaptive Noise Cancellation (Προσαρμοστική εξουδετέρωση θορύβου), Ambient Pass-Through (Διέλευση ήχου περιβάλλοντος) και βελτιωμένη τεχνολογία Wear Sensing (Ανίχνευση χρήσης). Η τελευταία μας γενιά τεχνολογίας εξουδετέρωσης θορύβου σχεδιάστηκε από μηδενική βάση με έξυπνες δυνατότητες ανίχνευσης περιβάλλοντος, για αυτόματη επιλογή του κατάλληλου τύπου εξουδετέρωσης θορύβου που είναι καλύτερος για το περιβάλλον σας, με αποκλειστικό στόχο να παρέχει μια απaráμιλλη εμπειρία ακρόασης. Η δυνατότητα Ambient Pass-Through (Διέλευση ήχου περιβάλλοντος) επιτρέπει να ακούγονται καθαρά εξωτερικοί ήχοι, όπως συζητήσεις ή ανακοινώσεις ασφαλείας, χωρίς να χρειάζεται να αφαιρεθούν τα ακουστικά. Η δυνατότητα Wear Sensing (Ανίχνευση χρήσης) επιτρέπει στα P15 να ανταποκρίνονται με φυσικότητα, πραγματοποιώντας παύση και συνέχιση της μουσικής όταν ανασηκώνετε ένα από τα ακουστικά από το αυτί σας. Αυτές οι δυνατότητες μπορούν να ενεργοποιηθούν και να προσαρμοστούν περαιτέρω μέσω της εφαρμογής Bowers & Wilkins Headphones που είναι διαθέσιμη δωρεάν σε συσκευές με λειτουργικό σύστημα iOS και Android.

Τα P15 ενσωματώνουν μια επαναφορτιζόμενη θήκη μπαταρίας. Όταν είναι πλήρως φορτισμένη, ανάλογα με τον βαθμό χρήσης των δυνατοτήτων Bluetooth, Adaptive Noise Cancellation (Προσαρμοστική εξουδετέρωση θορύβου) και Ambient Pass-Through (Διέλευση ήχου περιβάλλοντος), η θήκη μπαταρίας μπορεί να παρέχει έως και 20 ώρες συνεχούς ασύρματης ροής πολυμέσων με την εξουδετέρωση θορύβου ενεργοποιημένη, σε μέση ένταση αναπαραγωγής ήχου.

1. Περιεχόμενα συσκευασίας P15

Ακουστικά P15 με καλύμματα (M)
Θήκη φόρτισης
Καλώδιο φόρτισης USB-C
Καλύμματα (S/L)
Συνοδευτικά έντυπα

2. Εξοικείωση με τα ακουστικά P15

2.1 Ενεργοποίηση και απενεργοποίηση των ακουστικών

Ενεργοποίηση/Απενεργοποίηση

Τα P15 δεν έχουν χειριστήριο λειτουργίας, η διαχείριση της λειτουργίας είναι αυτόματη. Τα ακουστικά P15 σας θα φορτίσουν αυτόματα όταν τοποθετηθούν μέσα στη θήκη φόρτισης και θα είναι έτοιμα για χρήση όταν αφαιρεθούν από τη θήκη.

Όταν τα ακουστικά σας αφαιρεθούν από τη θήκη φόρτισης και δεν χρησιμοποιηθούν επί 5 λεπτά, θα μεταβούν σε τρόπο λειτουργίας εξοικονόμησης ενέργειας. Για έξοδο από τη λειτουργία εξοικονόμησης ενέργειας, αρχίστε να χρησιμοποιείτε τα ακουστικά σας και πάλι συνδέοντας τη συζευγμένη συσκευή σας, αναπαράγοντας ροή ήχου ή τοποθετώντας τα ακουστικά μέσα στα αυτιά σας.

2.2 Χειριστήρια ακουστικών

Το κάθε ακουστικό διαθέτει ένα κουμπί πολλαπλών λειτουργιών, το οποίο βρίσκεται στο επάνω κάλυμμα του ακουστικού, βλ. Διάγραμμα 1. Τα στοιχεία ελέγχου του κουμπιού πολλαπλών λειτουργιών είναι ως εξής:

Αναπαραγωγή πολυμέσων:

Λειτουργία	Ενέργεια
Αναπαραγωγή ή παύση	Πατήστε μία φορά το κουμπί πολλαπλών λειτουργιών.
Αναπαραγωγή επόμενου κομματιού	Πατήστε γρήγορα δύο φορές το κουμπί πολλαπλών λειτουργιών.
Αναπαραγωγή προηγούμενου κομματιού	Πατήστε γρήγορα τρεις φορές το κουμπί πολλαπλών λειτουργιών.

Λειτουργικότητα τηλεφωνικής κλήσης:

Λειτουργία	Ενέργεια
Απάντηση κλήσης	Πατήστε μία φορά το κουμπί πολλαπλών λειτουργιών για την εισερχόμενη κλήση.
Λήξη κλήσης	Όταν λαμβάνετε μια εισερχόμενη κλήση, πατήστε δύο φορές γρήγορα το κουμπί πολλαπλών λειτουργιών.
Απόρριψη εισερχόμενης κλήσης	Πατήστε γρήγορα δύο φορές το κουμπί πολλαπλών λειτουργιών για την εισερχόμενη κλήση.

3. Έξυπνες δυνατότητες

3.1 Προσαρμοστική εξουδετέρωση θορύβου

Η εξουδετέρωση θορύβου είναι μια σειρά εξελιγμένων τεχνολογιών που βοηθούν στην εξάλειψη ανεπιθύμητου θορύβου από το περιβάλλον.

Τα P15 διαθέτουν τις τελευταίες μας καινοτομίες στην προσαρμοστική εξουδετέρωση θορύβου, οι οποίες περιλαμβάνουν έξυπνη ανίχνευση που προσαρμόζει την εξουδετέρωση θορύβου στις ρυθμίσεις που είναι καλύτερες για το περιβάλλον σας. Καθώς το περιβάλλον σας αλλάζει, η εξουδετέρωση θορύβου προσαρμόζεται αυτόματα ώστε να ταιριάζει καλύτερα στο νέο περιβάλλον σας.

Τα χαρακτηριστικά εξουδετέρωσης θορύβου ενεργοποιούνται με το πάτημα του κουμπιού πολλαπλών λειτουργιών του αριστερού (L) ακουστικού για 1 δευτερόλεπτο, ενώ με πρόσθετα πατήματα του 1 δευτερόλεπτο επιλέγονται εναλλακτικά οι τρόποι λειτουργίας: Ενεργοποίηση, αυτόματος ή απενεργοποίηση. Ανατρέξτε στο διάγραμμα 2 για τη θέση των κουμπιών.

Λειτουργία	Εφαρμογή
Ενεργοποιημένο	Εξουδετερώνει τον ανεπιθύμητο θόρυβο από το περιβάλλον.
Αυτόματη	Προσαρμόζει έξυπνα την εξουδετέρωση θορύβου στις ρυθμίσεις που είναι καλύτερες για το τρέχον περιβάλλον σας.
Απενεργή	Απενεργοποιεί τη δυνατότητα εξουδετέρωσης θορύβου.

3.2 Φωνητική βοήθεια

Η φωνητική βοήθεια ενεργοποιείται με το πάτημα του κουμπιού πολλαπλών λειτουργιών του δεξιού (R) ακουστικού επί 1 δευτερόλεπτο. Ανατρέξτε στο διάγραμμα 2 για τη θέση των κουμπιών.

3.3 Διέλευση ήχου περιβάλλοντος

Τα P15 διαθέτουν τη δυνατότητα διέλευσης ήχου περιβάλλοντος, η οποία επιτρέπει να ακούγονται ορισμένοι εξωτερικοί θόρυβοι από το περιβάλλον, όπως οι ανακοινώσεις ασφαλείας ή οι συζητήσεις, χωρίς να αφαιρεθούν τα ακουστικά.

Η διέλευση ήχου περιβάλλοντος μπορεί να ενεργοποιηθεί ή να απενεργοποιηθεί μέσω της εφαρμογής των ακουστικών Bowers & Wilkins. Το επίπεδο διέλευσης ήχου περιβάλλοντος, Υψηλή/Χαμηλή/Απενεργοποιημένη, μπορεί να ρυθμιστεί ανάλογα με τις ανάγκες σας μέσω της εφαρμογής.

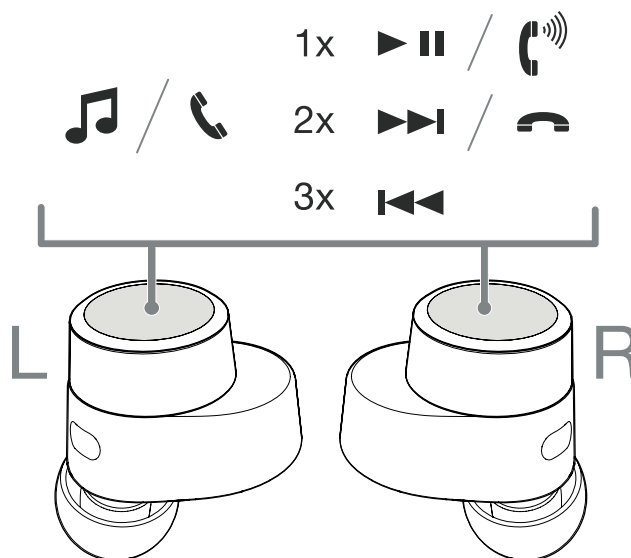
3.4 Αισθητήρες χρήσης

Τα P15 ενσωματώνουν τους πιο πρόσφατους, ενισχυμένους αισθητήρες χρήσης και στα δύο ακουστικά. Οι αισθητήρες διευκολύνουν την έξυπνη παρακολούθηση της μπαταρίας, με τη μετάβαση στη λειτουργία εξοικονόμησης ενέργειας όταν αφαιρεθούν από τα αυτιά. Όταν τα φοράτε ξανά, τα P15 επανενεργοποιούνται αυτόματα και συνδέονται με τη συσκευή Bluetooth που συνδέθηκε τελευταία.

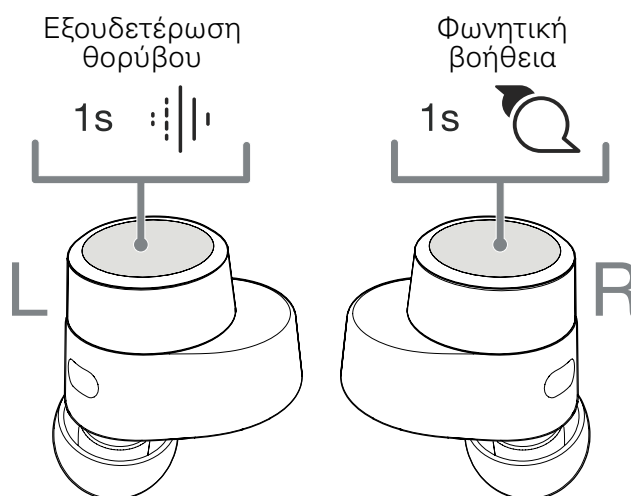
Οι αισθητήρες θέτουν, επίσης, τον ήχο σε παύση όταν τα ακουστικά αφαιρεθούν από τα αυτιά σας. Η αναπαραγωγή θα συνεχιστεί αυτόματα όταν το ακουστικό τοποθετηθεί ξανά μέσα στο αυτί. Η αυτόματη συνέχιση αναπαραγωγής έχει βελτιστοποιηθεί περαιτέρω, έτσι ώστε να είναι έτοιμη μόνο όταν είστε και εσείς.

Ο αισθητήρας χρήσης μπορεί να απενεργοποιηθεί από την εφαρμογή των ακουστικών Bowers & Wilkins.

Σημείωση: Προσέχετε ιδιαίτερα όταν φοράτε τα ακουστικά σας. Εάν παγιδευτούν μαλλιά ή αξεσουάρ ανάμεσα στα αυτιά σας και τα ακουστικά, ενδέχεται να δημιουργηθεί πρόβλημα στους αισθητήρες εγγύτητας.



Διάγραμμα 1
Κουμπί πολλαπλών λειτουργιών



Διάγραμμα 2
Χειριστήρια ακουστικών

4. Τύλιγμα των ακουστικών

Όταν δεν χρησιμοποιούνται, τα ακουστικά P15 θα πρέπει να αποθηκεύονται μέσα στη θήκη φόρτισης, όπου θα επαναφορτίζονται και θα είναι έτοιμα για μελλοντική χρήση.

5. Φόρτιση της μπαταρίας

Τα P15 παραδίδονται με τη θήκη και τις μπαταρίες των ακουστικών μερικώς φορτισμένες και μπορούν να χρησιμοποιηθούν αμέσως. Ως βέλτιστη πρακτική, συνιστούμε να φορτίζετε πλήρως τα ακουστικά πριν από την πρώτη χρήση. Αφήστε τα ακουστικά να φορτίσουν έως 3 ώρες για πλήρη φόρτιση.

Για να φορτίσετε τα ακουστικά P15:

1. Τοποθετήστε τα ακουστικά P15 στη θήκη φόρτισης.
2. Κλείστε το καπάκι της θήκης φόρτισης.

Για φόρτιση της θήκης φόρτισης P15:

1. Χρησιμοποιήστε το παρεχόμενο καλώδιο φόρτισης USB και συνδέστε το βύσμα USB σε έναν φορτιστή τοίχου USB ή σε μια ρευματοφόρο υποδοχή USB υπολογιστή.
2. Στη συνέχεια, συνδέστε το άκρο USB-C στην υποδοχή USB-C της θήκης φόρτισης.

Σημείωση: Κατά τη διάρκεια της φόρτισης, η ενδεικτική λυχνία της θήκης αναβοσβήνει με πράσινο χρώμα. Όταν φορτιστούν πλήρως, η ενδεικτική λυχνία παραμένει αναμμένη. Η θήκη μπορεί να φορτιστεί με ή χωρίς τα ακουστικά τοποθετημένα στο εσωτερικό της.

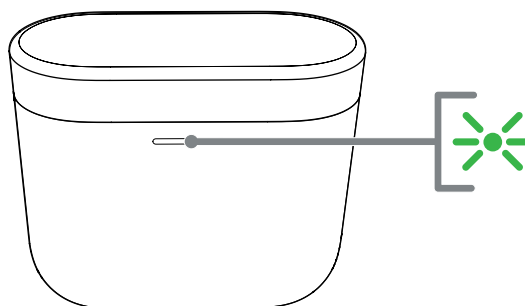
Για να φορτίσετε τη θήκη P15 με έναν ασύρματο σταθμό φόρτισης:

1. Τοποθετήστε τη θήκη φόρτισης σε έναν ασύρματο σταθμό φόρτισης.
2. Βεβαιωθείτε ότι το πίσω μέρος της θήκης φόρτισης βρίσκεται επάνω στον σταθμό φόρτισης (με την ενδεικτική λυχνία της θήκης στραμμένη προς τα επάνω).

Σημείωση: Κατά τη διάρκεια της φόρτισης, η ενδεικτική λυχνία της θήκης αναβοσβήνει με πράσινο χρώμα. Όταν φορτιστούν πλήρως, η ενδεικτική λυχνία παραμένει αναμμένη.

5.1 Ενδεικτική λυχνία κατάστασης

Η ενδεικτική λυχνία κατάστασης βρίσκεται στο εμπρός μέρος της θήκης. Όταν τα ακουστικά είναι τοποθετημένα μέσα στη θήκη, η ενδεικτική λυχνία LED παρέχει πληροφορίες σχετικά με τα ακουστικά. Όταν τα ακουστικά αφαιρεθούν από τη θήκη, η ενδεικτική λυχνία LED παρέχει πληροφορίες σχετικά με τη θήκη φόρτισης. Ανατρέξτε στο διάγραμμα 3 για τις καταστάσεις της ενδεικτικής λυχνίας LED.



Με τα ακουστικά τοποθετημένα στη θήκη φόρτισης.

Φωτισμός		Κατάσταση λειτουργίας
Πράσινο (καπάκι θήκης ανοιχτό)		Φόρτιση μπαταρίας ακουστικών > 40%
Κίτρινο (μετά την ενεργοποίηση)		Φόρτιση μπαταρίας ακουστικών >20%, <40%
Κόκκινο (μετά την ενεργοποίηση)		Φόρτιση μπαταρίας ακουστικών <20%
Κόκκινο (αναβοσβήνει)		Επαναφορά εργοστασιακών ρυθμίσεων ακουστικών
Κόκκινο (σταθερό)		Επαναφορά μέσω υλικού/κάτarrρευση συστήματος
Μπλε (αναβοσβήνει)		Λειτουργία σύζευξης ενεργοποιημένη
Μπλε χρώμα (ανάβει σταθερά για 3 δευτ.)		Επιτυχής σύζευξη

Με τα ακουστικά να έχουν αφαιρεθεί από τη θήκη φόρτισης

Φωτισμός		Κατάσταση λειτουργίας
Πράσινο (καπάκι θήκης ανοιχτό)		Φόρτιση μπαταρίας > 40%
Κίτρινο (μετά την ενεργοποίηση)		Φόρτιση μπαταρίας >20%, <40%
Κόκκινο (μετά την ενεργοποίηση)		Φόρτιση μπαταρίας <20%
Κόκκινο (αναβοσβήνει)		Επαναφορά εργοστασιακών ρυθμίσεων
Κόκκινο (σταθερό)		Επαναφορά μέσω υλικού/κάτarrρευση συστήματος

Διάγραμμα 3

Φωτισμός ενδεικτικής λυχνίας κατάστασης

6. Συνδεσιμότητα Bluetooth

6.1 Σύζευξη

Τα ακουστικά P15 είναι σχεδιασμένα για ασύρματη ροή μουσικής από συσκευές ήχου Bluetooth, όπως smartphone, tablet ή προσωπικούς υπολογιστές. Για να γίνει αυτό, τα ακουστικά και η συσκευή πρέπει πρώτα να συζευχθούν.

Όταν παραλάβετε τα ακουστικά P15 σας, αυτά θα είναι έτοιμα προς σύζευξη με οποιαδήποτε συσκευή ήχου Bluetooth.

6.1.1 Σύστημα iOS/Android χωρίς Google FastPair.

1. Πραγματοποιήστε λήψη της εφαρμογής ακουστικών Bowers & Wilkins.
2. Ανοίξτε το καπάκι της θήκης, η ενδεικτική λυχνία της θήκης θα αναβοσβήνει με μπλε χρώμα.
3. Μεταβείτε στο μενού σύζευξης Bluetooth της συσκευής σας και επιλέξτε «Bowers & Wilkins P15» από τη λίστα συσκευών.
4. Η ενδεικτική λυχνία της θήκης θα μείνει σταθερά αναμμένη με μπλε χρώμα, υποδεικνύοντας ότι η σύζευξη ήταν επιτυχής.
5. Ανοίξτε την εφαρμογή Bowers & Wilkins και προσθέστε τα ακουστικά.

Σημείωση: Αν δεν συζευχθεί καμία συσκευή μέσα σε 5 λεπτά, τα ακουστικά σας θα εξέλθουν αυτόματα από τη λειτουργία σύζευξης Bluetooth. Αν η σύζευξη αποτύχει, η ενδεικτική λυχνία θα αναβοσβήνει γρήγορα με μπλε χρώμα. Προσπαθήστε ξανά να πραγματοποιήσετε σύζευξη.

Για σύζευξη με την επόμενη συσκευή. Ανατρέξτε στο διάγραμμα 4.

1. Ανοίξτε το καπάκι της θήκης, με τα ακουστικά τοποθετημένα στο εσωτερικό της.
2. Πατήστε παρατεταμένα το κουμπί στο εσωτερικό της θήκης επί 1 έως 5 δευτερόλεπτα. Η ενδεικτική λυχνία της θήκης θα αναβοσβήνει με μπλε χρώμα.
3. Μεταβείτε στο μενού σύζευξης Bluetooth της νέας συσκευής σας και επιλέξτε «Bowers & Wilkins P15» από τη λίστα συσκευών.
4. Η ενδεικτική λυχνία της θήκης θα μείνει σταθερά αναμμένη με μπλε χρώμα, υποδεικνύοντας ότι η σύζευξη ήταν επιτυχής.

Τα ακουστικά P15 μπορούν να απομνημονεύσουν έως και 4 συζευγμένες συσκευές Bluetooth. Επαναλάβετε τα παραπάνω βήματα για να συζευξέτε περισσότερες συσκευές.

Σημείωση: Αν δεν συζευχθεί καμία συσκευή μέσα σε 5 λεπτά, τα ακουστικά σας θα εξέλθουν αυτόματα από τη λειτουργία σύζευξης Bluetooth. Αν η σύζευξη αποτύχει, η ενδεικτική λυχνία θα αναβοσβήνει γρήγορα με μπλε χρώμα. Προσπαθήστε ξανά να πραγματοποιήσετε σύζευξη.

6.1.2 Google FastPair (για σύστημα Android που διαθέτει τη λειτουργία GFP)

Για να προσθέσετε τα ακουστικά σας:

1. Τοποθετήστε τη θήκη σε απόσταση όχι μεγαλύτερη από 10 cm (4 in.) από τη συσκευή Android (με το BT ενεργοποιημένο) και ανοίξτε το καπάκι της θήκης των P15.
2. Θα αναδυθεί ένα παράθυρο ειδοποίησης του GFP (Google FastPair), στο οποίο θα εμφανίζεται η ένδειξη «Bowers & Wilkins P15 detected» (Εντοπίστηκαν Bowers & Wilkins P15) και θα σας ζητήσει να εκκινήσει η διαδικασία σύζευξης.
3. Πατήστε το κουμπί «Notification» στο παράθυρο για να επιτρέψετε τη σύζευξη. Η επιτυχής σύνδεση θα εμφανιστεί στο παράθυρο του GFP.
4. Αφού γίνει σύζευξη:
 - ο Το παράθυρο GFP θα σας κατευθύνει στο κατάστημα Google Play για να πραγματοποιήσετε λήψη και εγκατάσταση της εφαρμογής Bowers & Wilkins.
 - ο Στο παράθυρο του GFP φαίνεται η στάθμη φόρτισης των μπαταριών του L/R ακουστικού και της θήκης

6.2 Αποσύνδεση από συσκευή

Μπορείτε να αποσυνδέσετε γρήγορα τα P15 από μια συσκευή, τοποθετώντας τα ακουστικά και πάλι στη θήκη. Εναλλακτικά, μπορείτε να διαχειριστείτε τη σύνδεση με περισσότερες λεπτομέρειες χρησιμοποιώντας την επιλογή Connections (Συνδέσεις) στην εφαρμογή Bowers & Wilkins Headphones.

6.3 Χαρακτηριστικά εφαρμογών

Η εφαρμογή Bowers & Wilkins Headphones παρέχει εκτεταμένες λειτουργίες ρύθμισης για δυνατότητες όπως οι Adaptive Noise Cancellation (Προσαρμοστική εξουδετέρωση θορύβου), Ambient Pass-Through (Διέλευση ήχου περιβάλλοντος) και Wear Sensing (Ανίχνευση χρήσης). Η εφαρμογή παρέχει επίσης επιπλέον επιλογές προσαρμογής, όπως φωνητικές προτροπές, επίπεδο διέλευσης ήχου περιβάλλοντος, διαχείριση συνδέσεων και ενημερώσεις λογισμικού ακουστικών. Η εφαρμογή είναι διαθέσιμη για δωρεάν λήψη σε συσκευές με λειτουργικό σύστημα iOS και Android.

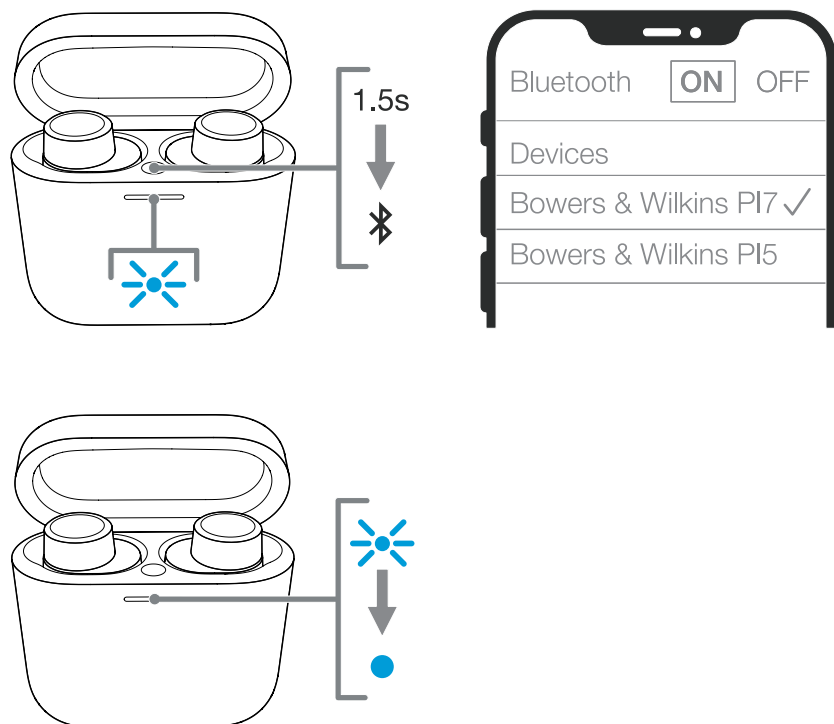
Για να προσθέσετε τα ακουστικά σας:

1. Από τη φορητή συσκευή σας, κάντε λήψη και εγκατάσταση της εφαρμογής Bowers & Wilkins Headphones.
2. Εκκινήστε την εφαρμογή και, στη συνέχεια, διαβάστε και ακολουθήστε τις οδηγίες που αφορούν τις ειδοποιήσεις και τα δικαιώματα της εφαρμογής.
3. Αφού φτάσετε στην κύρια οθόνη, απλά πατήστε το + και ακολουθήστε τις οδηγίες που εμφανίζονται στην εφαρμογή.

6.4 Ενημερώσεις λογισμικού ακουστικών

Κατά καιρούς, η Bowers & Wilkins θα καθιστά διαθέσιμες ενημερώσεις λογισμικού που αναβαθμίζουν και βελτιστοποιούν την απόδοση των ακουστικών σας ή προσθέτουν νέες δυνατότητες.

Η εφαρμογή Bowers & Wilkins Headphones θα σας ειδοποιεί όταν είναι διαθέσιμη μια ενημέρωση λογισμικού. Πατήστε στην ειδοποίηση και ακολουθήστε τις οδηγίες που εμφανίζονται στην εφαρμογή.



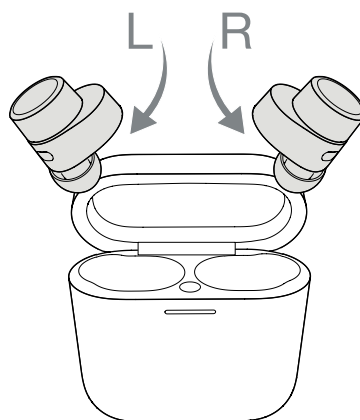
Διάγραμμα 4
Σύζευξη Bluetooth - επόμενη συσκευή

7. Χρήση των ακουστικών σας

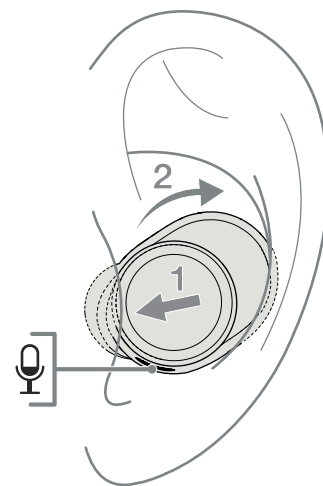
Η σωστή χρήση των ακουστικών σας θα διασφαλίσει ότι θα έχετε την καλύτερη δυνατή εμπειρία. Ανατρέξτε στο διάγραμμα 5. Όπως πολλά άλλα ενδωστικά ακουστικά, τα ακουστικά P15 είναι σχεδιασμένα ώστε να σφραγίζουν τον ακουστικό πόρο για να έχουν βέλτιστη απόδοση. Τα καλύμματα παρέχονται σε τρία μεγέθη (μικρό, μεσαίο και μεγάλο). Η επιλογή του σωστού μεγέθους για τα αυτιά σας είναι σημαντική για να επιτευχθεί καλή σφράγιση και να διασφαλιστεί η βέλτιστη απόδοση των P15 και των εξελιγμένων δυνατοτήτων, όπως η προσαρμοστική εξουδετέρωση θορύβου.

1. Εντοπίστε το αριστερό και το δεξί ακουστικό, βρίσκοντας τις ενδείξεις L και R που βρίσκονται στην εσωτερική πλευρά του κάθε ακουστικού.
2. Τοποθετήστε τα ακουστικά στο εσωτερικό του αυτιού σας και περιστρέψτε το ακουστικό ελαφρά προς τα πίσω, έτσι ώστε τα καλύμματα να τοποθετηθούν άνετα στο άνοιγμα του ακουστικού πόρου.
3. Εάν το κάλυμμα του ακουστικού σας φαίνεται πολύ μεγάλο ή πολύ μικρό, δοκιμάστε άλλο μέγεθος καλύμματος ακουστικού για να διασφαλίσετε την καλύτερη εφαρμογή.

Σημείωση: Για να βελτιστοποιήσετε την ποιότητα της κλήσης, διασφαλίστε ότι το μικρόφωνο που βρίσκεται κάτω από το ακουστικό είναι στραμμένο προς τα έξω, ανατρέξτε στο διάγραμμα 5.



Διάγραμμα 5
Χρήση των ακουστικών σας



8. Επαναφορά/Αντιμετώπιση προβλημάτων

8.1 Επαναφορά εργοστασιακών ρυθμίσεων

Μπορείτε να απαλείψετε το ιστορικό συζευγμένων συσκευών και να επαναφέρετε όλες τις ρυθμίσεις στις προεπιλογές τους.

Για να πραγματοποιήσετε επαναφορά των εργοστασιακών ρυθμίσεων στα ακουστικά σας, ανοίξτε τη θήκη φόρτισης με τα ακουστικά τοποθετημένα στο εσωτερικό. Πατήστε παρατεταμένα το κουμπί στο εσωτερικό της θήκης επί 5 δευτερόλεπτα και ελευθερώστε το. Η ενδεικτική λυχνία της θήκης θα ανάψει με κόκκινο χρώμα, υποδεικνύοντας την επαναφορά.

ΣΗΜΕΙΩΣΗ: Σε περίπτωση που τα ακουστικά δεν λειτουργούν κανονικά, πραγματοποιήστε επαναφορά εργοστασιακών ρυθμίσεων για να λυθεί το πρόβλημα.

8.2 Επαναφορά μέσω υλικού

Για να πραγματοποιήσετε επαναφορά μέσω υλικού στα ακουστικά σας, ανοίξτε τη θήκη με τα ακουστικά τοποθετημένα στο εσωτερικό. Πατήστε παρατεταμένα το κουμπί στο εσωτερικό της θήκης επί 15 δευτερόλεπτα, ωστόσο η ενδεικτική λυχνία LED σβήσει και ανάψει με πράσινο χρώμα, υποδεικνύοντας την ολοκλήρωση της διαδικασίας επαναφοράς μέσω υλικού.

ΣΗΜΕΙΩΣΗ: Σε περίπτωση σοβαρής κατάρρευσης του συστήματος (η ενδεικτική λυχνία LED ανάβει σταθερά με κόκκινο χρώμα), πραγματοποιήστε επαναφορά μέσω υλικού.

9. Φροντίδα των ακουστικών σας

Τα ακουστικά σας μπορούν να καθαριστούν με προσεκτικό σκούπισμα με ένα υγρό ύφασμα, ωστόσο καθαρίσουν. Μη χρησιμοποιείτε απορροπαντικά καθαρισμού, οινόπνευμα για εντριβές ή χημικά καθαριστικά/στίλβωτικά, γιατί ενδέχεται να προκληθεί ζημιά στα ακουστικά σας.

10. Σέρβις/Υποστήριξη

Αν χρειάζεστε βοήθεια με την αντιμετώπιση ενός συγκεκριμένου προβλήματος ή απλά έχετε κάποια ερώτηση που θα θέλατε να απαντηθεί, συμβουλευτείτε αρχικά την ενότητα υποστήριξης Ακουστικών στη διαδικτυακή τοποθεσία της Bowers & Wilkins: www.bowerswilkins.com.

Προδιαγραφές

Τεχνικά χαρακτηριστικά	Τεχνολογία True Wireless Bluetooth 5.0 με τεχνολογία AptX Αυτόματο ANC Ασύρματη φόρτιση και φόρτιση USB-C Υποστήριξη ταχείας φόρτισης
Codec Bluetooth	AptX AAC SBC
Προφίλ Bluetooth	A2DP v1.3.1 AVRCP v1.6.1 HFP v1.7.1 HSP v1.2 BLE GATT (Generic Attribute Profile)
Ζώνη συχνότητας	Λειτουργία Tx: 2.402 MHz έως 2.480 MHz, ζώνη ISM, Λειτουργία Rx: 2.402 MHz έως 2.480 MHz, ζώνη ISM
Ισχύος εξόδου ραδιοσυχνότητας	<10,0 dBm
Μονάδες οδήγησης	Dynamic Drive 9,2 mm
Εύρος συχνότητας	10 Hz έως 20 kHz
Παραμόρφωση (THD)	< 0,3% (1 kHz/10 mW)
Διάρκεια ζωής μπαταρίας	Έως 4 ώρες Bluetooth
Φόρτιση	Φόρτιση 15 λεπτών = 2 ώρες Bluetooth
Είσοδοι	Bluetooth
Βάρος	7 g για τα ακουστικά, 47 g για τη θήκη φόρτισης

Vítejte u Bowers & Wilkins a PI5

Děkujeme Vám, že jste si zvolili značku Bowers & Wilkins. Když John Bowers zakládal naši firmu, věřil, že nápadité provedení, novátorský přístup a pokročilé technologie jsou klíčem otevírajícím dveře kvalitní reprodukci. Touto filozofií se dodnes inspirujeme, kdykoli tvoříme nový produkt.

PI5 jsou špičková sluchátka do uší, umožňující vychutnávat si zvuk ve vysoké kvalitě a díky technologiím pro bezdrátový provoz i potlačení okolního hluku nabízejí skvělý komfort. Tento manuál vám poskytne všechny informace potřebné k tomu, abyste ze sluchátek PI5 vytěžili maximum.

Sluchátka PI5 lze využít pro přehrávání hudby bezdrátově streamované po Bluetooth z vašeho mobilního telefonu, tabletu či počítače. Samozřejmě je můžete využívat i pro bezdrátové telefonování.

Technologie Real World Listening zahrnuje u sluchátek PI5 funkce Adaptive Noise Cancellation (adaptivní potlačení okolního hluku), Ambient Pass-through (průchod hlasu a zvuků z okolí) a vylepšenou funkci Wear Sensing (senzor nošení).

Naše funkce potlačení okolního hluku nejnovější generace má inteligentní schopnosti snímání hluku okolního prostředí a automaticky vybírá vhodný typ potlačení, který nejlépe vyhovuje dané situaci. Jejím jediným cílem je poskytovat nekompromisní zážitek z poslechu. Ambient Pass-Through zase umožňuje zřetelné slyšení externích zvuků, jako jsou konverzace nebo bezpečnostní oznámení, bez nutnosti sundávat sluchátka. Funkce Wear Sensing umožňuje sluchátkům PI5 přirozeně reagovat – pozastaví či obnoví přehrávání při vysunutí či zasunutí sluchátka do ucha. Tyto funkce lze povolit/zakázat a dále přizpůsobit pomocí aplikace Bowers & Wilkins Headphones App, která je k dispozici zdarma pro zařízení iOS a Android.

PI5 obsahují také dobíjecí pouzdro s akumulátorem. Po úplném nabití, v závislosti na stupni Bluetooth, adaptivního potlačení šumu a používání funkce Ambient Pass Through, může akumulátor v pouzdru poskytovat sluchátkům energii až na 20 hodin bezdrátového streamování médií s aktivovanou funkcí potlačení hluku při průměrné úrovni hlasitosti přehrávání.

1. Balení sluchátek PI5 obsahuje

PI5 sluchátka s nasazenými náušníky velikosti M
Dobíjecí pouzdro
USB-C nabíjecí kabel
Náušníky dvou velikostí (S/L)
Baliček dokumentů

2. Seznámení se sluchátky PI5

2.1 Zapínání a vypínání sluchátek

Zapnutí / vypnutí

U sluchátek PI5 je zapínání a vypínání automatické, proto zde není žádný vypínač. Po vložení do pouzdra se sluchátka začnou sama nabíjet a po vyjmutí z pouzdra budou připravena k použití.

Když jsou vaše sluchátka z nabíjecího pouzdra vyjmuta a po dobu 5 minut je nebudete používat, přejdou automaticky do režimu úspory energie. Z tohoto režimu je probudíte připojením spárovaného zařízení, započítáním streamování zvuku, nebo vložением sluchátek do uší.

2.2 Ovládání sluchátek

Každé sluchátko má multifunkční tlačítko umístěné na horním krytu sluchátek, viz obrázek 1. Ovládací povely multifunkčního tlačítka jsou následující:

Přehrávání médií:

Funkce	Akce
Přehrávání či pozastavení	Stiskněte 1x multifunkční tlačítko
Přechod na následující skladbu	Stiskněte multifunkční tlačítko 2x v rychlém sledu
Přechod na předchozí skladbu	Stiskněte multifunkční tlačítko 3x v rychlém sledu

Telefonování:

Funkce	Akce
Přijetí hovoru	Při přichozím hovoru stiskněte 1x multifunkční tlačítko
Ukončení hovoru	Během hovoru stiskněte 2x v rychlém sledu multifunkční tlačítko
Odmítnutí hovoru	Při přichozím hovoru stiskněte 2x v rychlém sledu multifunkční tlačítko

3. Inteligentní funkce

3.1 Adaptivní potlačení šumu

Potlačení šumu zahrnuje řadu pokročilých technologií, které pomáhají při odstraňování nežádoucího hluku z okolního prostředí.

Mikrofony ve sluchátkách PI5 snímají okolní hluk a díky našim nejnovějším inovacím v systému adaptivního potlačení šumu dokáže tato funkce zvolit takovou formu a míru potlačení, která se nejlépe hodí pro danou situaci. Změní-li se charakter hluku okolního prostředí, změní se i způsob potlačení.

Funkce potlačení hluku je aktivována stisknutím multifunkčního tlačítka na levém (L) sluchátku na 1 vteřinu, další 1s stisky cyklicky přepínají mezi režimy: Zapnuto, Auto, nebo Vypnuto. Umístění tlačítka je znázorněno na obr. 2.

Režim	Aplikace
On (zapnuto)	Odstraňuje nežádoucí hluk pronikající z okolního prostředí.
Auto	Inteligentně řídí potlačování hluku okolního prostředí v závislosti na jeho charakteru
Off (vypnuto)	Funkce potlačení hluku je vypnuta

3.2 Voice Assistance (Hlasová pomoc)

Funkce Voice Assistance se aktivuje stisknutím multifunkčního tlačítka na pravém sluchátku (R), po dobu 1 vteřiny. Umístění tlačítka je znázorněno na obr. 2.

3.3 Ambient Pass-Through (Průchod zvuku z okolí)

Sluchátka PI5 jsou vybavena Ambient pass-through, která umožňuje průchod některým zvukům z okolí. Tuto funkci využijete, chcete-li slyšet například bezpečnostní oznámení či hovory bez nutnosti vyjmout sluchátka z uší.

Funkci Ambient pass-through lze povolit nebo zakázat prostřednictvím aplikace Bowers & Wilkins Headphone. Úroveň průchodu okolního prostředí může být prostřednictvím aplikace přepnuta tak (vysoká / nízká / vypnuto), aby to vyhovovalo vašim potřebám.

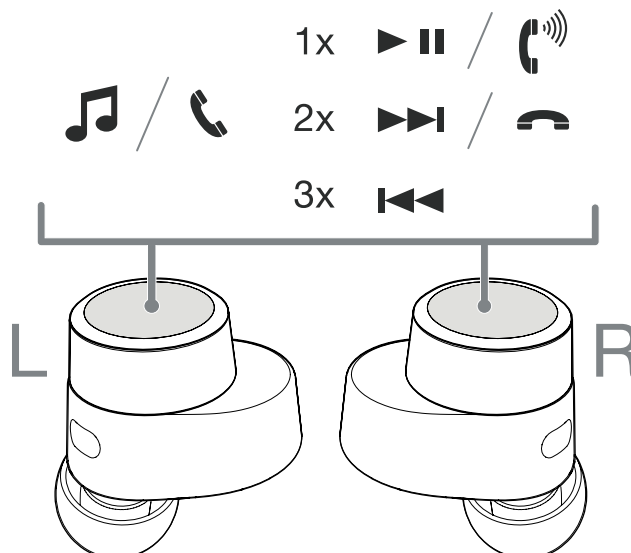
3.4 Wear Sensors (Senzory nošení)

Sluchátka PI5 jsou také vybavena vylepšenou detekcí nošení, se senzory v obou sluchátkách. Když sluchátka vyjmete z uší, senzory to zaregistrují a přepnou sluchátka do úsporného režimu. Vložíte-li sluchátka zpět do uší, senzory je opět aktivují a sluchátka se připojí k naposledy používanému Bluetooth zařízení.

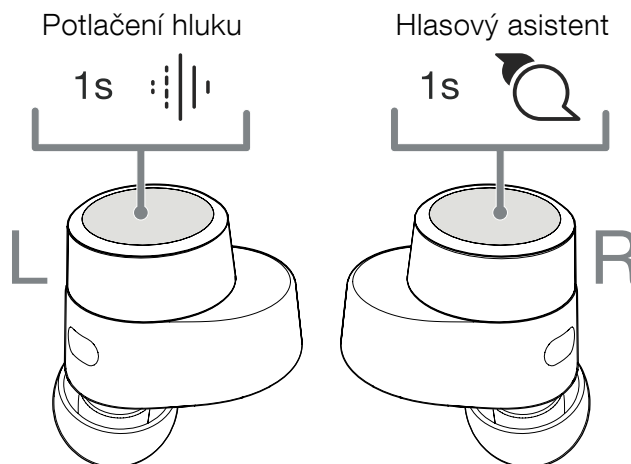
Při vyjmutí sluchátek z uší také mohou senzory pozastavit přehrávání na Bluetooth zařízení a po vložení sluchátek zpět do uší bude přehrávání opět spuštěno od místa, kde bylo předtím zastaveno.

Senzory nošení lze vypnout pomocí aplikace Bowers & Wilkins Headphones App.

Poznámka: Funkce senzorů nošení nemusí fungovat správně, pokud by se mezi sluchátka a vaše ucho dostaly vlasy apod.



Obrázek 1
Multifunkční tlačítko



Obrázek 2
Ovládání sluchátek

4. Uložení sluchátek

Pokud se sluchátka PI5 nepoužívají, měla by být uložena do nabíjecího pouzdra, kde budou dobývána a připravena pro budoucí použití.

5. Nabíjení baterie

Sluchátka PI5 se dodávají s částečně nabitými akumulátory sluchátek i pouzdra, takže je možné jejich okamžité použití. Nicméně přesto doporučujeme sluchátka před prvním použitím nabít do plné kapacity, což může trvat až 3 hodiny.

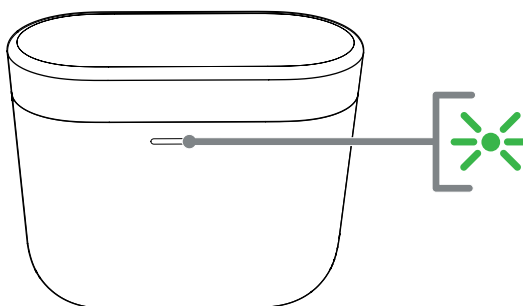
Nabíjení sluchátek PI5:

1. Vložte sluchátka PI5 do nabíjecího pouzdra.
2. Zavřete víko nabíjecího pouzdra.

Nabíjení nabíjecího pouzdra PI5:

1. Použijte dodaný nabíjecí kabel USB a zapojte jeho USB konektor do nějakého dobíjecího USB adaptéru, nebo do napájené USB zástrčky na počítači.
2. Poté připojte konec USB-C konektor kabelu do USB-C zásuvky nabíjecího pouzdra.

Poznámka: Během nabíjení bude indikátor pouzdra blikat zeleně. Po úplném nabití indikátor zůstane svítit. Pouzdro lze dobýt jak se zasunutými sluchátky, tak prázdně.



Nabíjení pouzdra PI5 bezdrátovou nabíjecí stanicí:

1. Položte nabíjecí pouzdro na bezdrátovou nabíjecí stanicí.
2. Ujistěte se, že pouzdro leží na nabíjecí stanicí svou zadní částí (tzn. Indikátory směrem vzhůru).

Poznámka: Během nabíjení bude indikátor pouzdra blikat zeleně. Po úplném nabití zůstane svítit.

5.1 Indikátor stavu

Indikátor stavu se nachází na přední straně pouzdra. Když jsou sluchátka vložena do pouzdra, poskytuje LED indikátor informace o sluchátkách. Jsou-li sluchátka z pouzdra vyjmuta, poskytuje LED indikátor informace o stavu nabití samotného pouzdra. Stav LED indikátoru jsou popsány na obrázku 3.

Se sluchátky v pouzdru

Stav kontrolky		Význam
Zelená (při otevřeném pouzdru)		Stav baterie sluchátek > 40%
Žlutá (po zapnutí)		Stav baterie sluchátek >20%, <40%
Červená (po zapnutí)		Stav baterie sluchátek <20%
Červená (blikající)		Reset sluchátek do továrního nastavení
Červená (stálá)		Tvrký reset / chyba systému
Modrá (blikající)		Párovací režim aktivní
Modrá (stálá po 3 vteřiny)		Úspěšně spárováno

Se sluchátky vyjmutými z pouzdra

Stav kontrolky		Význam
Zelená (při otevřeném pouzdru)		Stav baterie > 40%
Žlutá (po zapnutí)		Stav baterie >20%, <40%
Červená (po zapnutí)		Stav baterie <20%
Červená (blikající)		Reset sluchátek do továrního nastavení
Červená (stálá)		Tvrký reset / chyba systému

Obrázek 3
Vysvětlení stavů indikátoru

6. Připojení Bluetooth

6.1 Párování

Vaše sluchátka PI5 jsou navržena pro bezdrátové streamování hudby ze zvukových Bluetooth zařízení, jakými jsou např. smartphony, tablety, nebo počítače. Nejdříve je však potřeba sluchátka s Bluetooth zařízením spárovat.

Po prvním vybalení se sluchátka PI5 zapnou rovnou do párovacího režimu, budou tedy připravena k párování s jakýmkoli zvukovým zařízením Bluetooth.

6.1.1 Systém iOS / Systém Android bez funkce Google FastPair.

1. Stáhněte si aplikaci Bowers & Wilkins Headphones app.
2. Otevřete víko pouzdra, indikátor pouzdra bude blikat modře.
3. Přejděte do nabídky Bluetooth ve vašem zařízení a vyberte „Bowers & Wilkins PI5“ ze seznamu zařízení.
4. Jakmile dojde ke spárování, přestane indikátor blikat a bude svítit stálým modrým světlem.
5. Otevřete aplikaci Bowers & Wilkins Headphones app a přidejte v ní vaše sluchátka.

Poznámka: Sluchátka automaticky ukončí režim párování Bluetooth, pokud není žádné zařízení spárováno do 5 minut. Pokud se párování nezdaří, indikátor bude rychle modře blikat. V takovém případě zkuste prosím zařízení spárovat znovu.

Spárování s dalším zařízením. Viz obrázek 4.

1. Otevřete víko pouzdra a mezi sloty pro zasunutí sluchátek najdete tlačítko se symbolem Bluetooth.
2. Tlačítko Bluetooth podržte stisknuté na 1 až 5 vteřin, dokud indikátor nezačne modře blikat.
3. Přejděte do nabídky Bluetooth ve vašem zařízení a vyberte „Bowers & Wilkins PI5“ ze seznamu zařízení.
4. Jakmile dojde ke spárování, přestane indikátor blikat a bude svítit stálým modrým světlem.

PI5 si pamatují až 4 spárovaná Bluetooth zařízení. Pro spárování dalších zařízení opakujte výše uvedený postup.

Poznámka: Sluchátka automaticky ukončí režim párování Bluetooth, pokud není žádné zařízení spárováno do 5 minut. Pokud se párování nezdaří, indikátor bude rychle modře blikat. V takovém případě zkuste prosím zařízení spárovat znovu.

6.1.2 Google FastPair (pro systém Android s funkcí GFP)

Přidání sluchátek:

1. Pouzdro sluchátek PI5 umístíte maximálně 10 cm od zařízení Android (povoleno BT) a otevřete víko pouzdra.
2. Na displeji Android zařízení se objeví okno s oznámením GFP (Google FastPair) a zobrazí se „Bowers & Wilkins PI5 detekováno“ spolu se žádostí o potvrzení zahájení párovacího procesu.
3. Klikněte na „notifikační“ tlačítko v okně na povolení párování a v GFP okně by se měla objevit hláška o úspěšném spárování.
4. Po spárování:
 - o Okno GFP vás přesměruje na obchod Google Play pro stáhnutí a instalaci aplikace Bowers & Wilkins Headphones App.
 - o V GFP okně budete moci vidět informaci o stavu akumulátorů sluchátek a pouzdra.

6.2 Odpojení od zařízení

Sluchátka PI5 můžete od zařízení rychle odpojit pomocí jejich vložení zpět do pouzdra. Připojení můžete také podrobněji spravovat pomocí aplikace Bowers & Wilkins Headphones v sekci připojení.

6.3 Funkce aplikace

Aplikace Bowers & Wilkins Headphones poskytuje možnosti rozšířeného nastavení a úprav funkcí jako Adaptivní potlačení šumu, Ambient Pass-Through či funkce senzoru nošení. Kromě nastavování hlasových výzev, řízení úrovně propouštění zvuku z okolí a spravování připojení vám aplikace také umožňuje případnou aktualizaci firmware. Tato aplikace je k dispozici ke stažení zdarma pro iOS a Android zařízení.

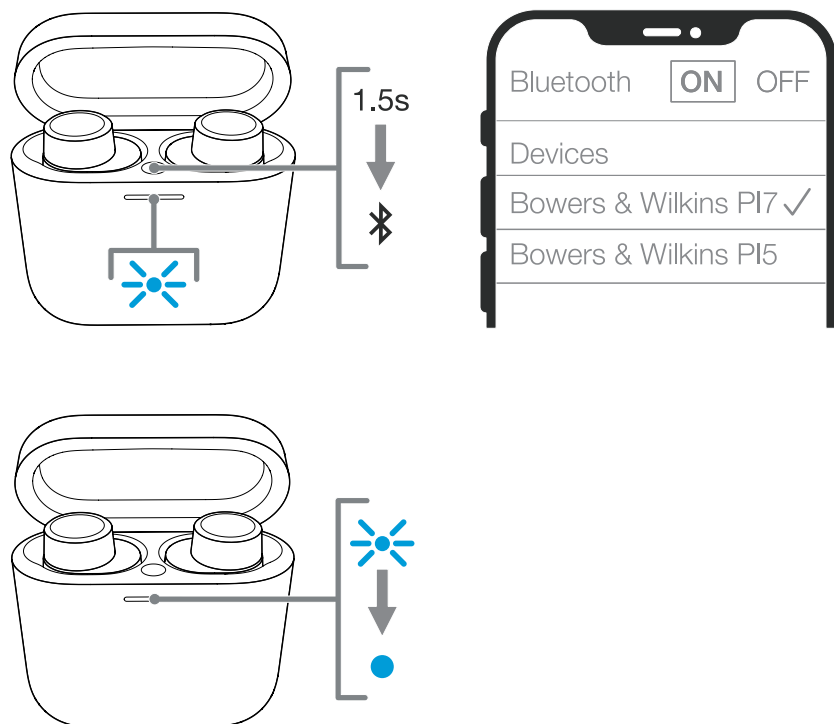
Přidání sluchátek:

1. Stáhněte a nainstalujte si do svého mobilního zařízení aplikaci Bowers & Wilkins Headphones app.
2. Spustěte aplikaci, přečtete pokyny týkající se oznámení aplikace i oprávnění a postupujte podle pokynů.
3. Po dosažení hlavní obrazovky jednoduše klepněte na + postupujte a podle pokynů v aplikaci.

6.4 Aktualizace softwaru sluchátek

Bowers & Wilkins příležitostně vydává aktualizace softwaru, které vylepšují a optimalizují reprodukci vašich sluchátek, upravují jejich funkce či přidávají funkce nové.

Aplikace Bowers & Wilkins vás na dostupnou aktualizaci může upozornit – stačí kliknout na ikonu „Notification“ a následovat instrukce.



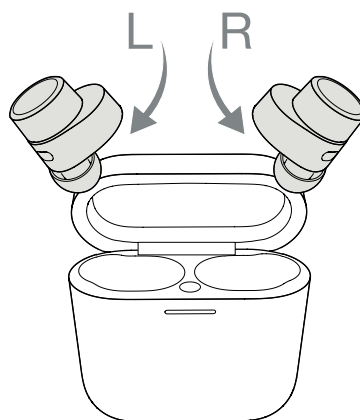
Obrázek 4

Párování Bluetooth – další zařízení

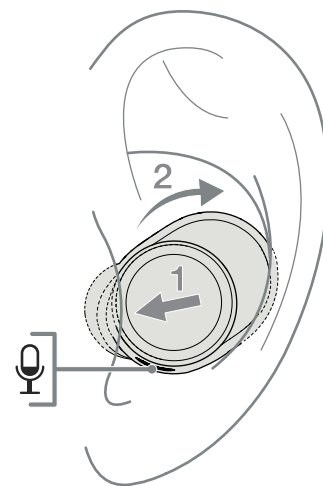
7. Nošení sluchátek

Správné umístění sluchátek v uších (viz. Obrázek 5) vám zaručí co nejlepší možný zážitek z poslechu. Stejně jako u mnoha sluchátek do uší, používají P15 pro dokonalou funkci utěsnění ušního zvukovodu. Jsou tedy dodávány se třemi velikostmi silikonových náušníků (malé, střední a velké). Nalezení správné velikosti pro vaše ucho je rozhodující pro docílení dobrého utěsnění a zajištění správné funkce adaptivního potlačení hluku.

1. Identifikujte pravé a levé sluchátko pomocí symbolů L (levé) a R (pravé) umístěných na vnitřní straně každého sluchátka.
2. Vložte sluchátko do ucha a otočte jeho tělem v boltci mírně dozadu, aby vám část sluchátka opatřená silikonovým náušníkem pohodlně zapadla do zvukovodu.
3. Máte-li pocit, že vám sluchátko ve zvukovodu sedí příliš volně, nebo vás naopak tlačí, zkuste použít jinou velikost náušníku.



Obrázek 5
Nošení sluchátek



Poznámka: Chcete-li optimalizovat kvalitu hovoru, ujistěte se, že mikrofon umístěný pod sluchátkem je směrem ven, viz obrázek 5.

8. Reset / Odstraňování problémů

8.1 Obnovení továrního nastavení

Můžete vymazat historii spárovaných zařízení a obnovit všechna nastavení na výchozí hodnoty.

Chcete-li sluchátka resetovat do továrního nastavení, otevřete nabíjecí pouzdro se sluchátky umístěnými uvnitř. Stiskněte a podržte tlačítko na vnitřní straně pouzdra po dobu 5 sekund a uvolněte. Indikátor na pouzdra se rozsvítí červeně, což znamená reset.

POZNÁMKA: V případě, že sluchátka nefungují správně, zkuste prosím problém vyřešit obnovením továrního nastavení.

8.2 Tvrdý reset

Chcete-li sluchátka resetovat úplně, otevřete pouzdro se sluchátky umístěnými uvnitř. Stiskněte a podržte tlačítko uvnitř pouzdra po dobu 15 sekund, dokud LED kontrolka nezhasne a nerozsvítí se zeleně, což značí dokončení procesu tvrdého resetu.

POZNÁMKA: V případě vážného selhání systému (svítí červená LED světlo), proveďte tvrdý reset.

9. Péče o sluchátka

Sluchátka lze čistit jemným vlhkým hadříkem a opatrně otírat, dokud nebudou čistá. K čištění nikdy nepoužívejte čisticí prostředky na bázi alkoholu, chemické čisticí prostředky či prostředky obsahující brusné částice – mohlo by dojít k poškození sluchátek.

10. Servis / podpora

Pokud potřebujete pomoc s řešením konkrétního problému, nebo prostě hledáte odpověď na nějakou otázku týkající se vašich sluchátek, navštivte prosím nejprve sekci podpory na stránkách Bowers & Wilkins: www.bowerswilkins.com.

Specifikace

Technické přednosti	True Wireless technologie Bluetooth 5.0 s AptX technologií Auto ANC Bezdrátové a USB dobíjení Podpora rychlonabíjení
Bluetooth kodeky	AptX AAC SBC
Bluetooth Profily	A2DP v1.3.1 AVRCP v1.6.1 HFP v1.7.1 HSP v1.2 BLE GATT (Generic Attribute Profile)
Frekvenční pásma	Rx mode: 2402MHz až 2480MHz, ISM Band
RF výstupní výkon	< 10.0 dBm
Měniče	9.2mm Dynamic Drive
Frekvenční audio pásmo	10Hz až 20kHz
Zkreslení (THD)	<0.3% (1kHz/10mW)
Výdrž baterie	Až 4 hodiny Bluetooth provozu
Nabíjení	15 minut dobíjení = 2 h Bluetooth provozu
Vstupy	Bluetooth
Hmotnost	7g sluchátka, 47g nabíjecí pouzdro

歡迎來到Bowers&Wilkins和PI5

感謝您選擇Bowers & Wilkins。約翰·鮑爾斯（John Bowers）剛成立我們公司時，就堅信，富有想像力的設計，創新的工程技術和先進的技術是可以釋放家庭音頻享受的關鍵。

PI5是一款高性能入耳式耳機，旨在提供最高質量的移動個人音頻體驗，並結合了無線操作的便利性和消除噪音後的寧靜性。本手冊將告訴您要充分利用PI5耳機所需的一切。

您的PI5可以通過藍牙手機，平板電腦或電腦以無線串流播放音樂。PI5也可以用於接聽無線電話。

PI5真實世界聆聽功能包括我們在自適應消噪，環境直通和增強的配帶傳感功能上的創新技術。我們最新一代的噪音消除功能是全新設計，具有智能的環境感應功能，可以自動選擇最適合您周圍環境的噪音消除類型，其唯一目的是提供無與倫比的聆聽體驗。環境直通可以清晰地聽到外部聲音，例如對話或安全通知，而無需卸下耳機。佩戴傳感功能使PI5能夠自然響應，只需將聽筒放在耳朵上或離開耳朵即可暫停和恢復音樂。這些功能可以通過Bowers & Wilkins耳機應用程式來啟用和進一步設定，該應用在iOS和Android設備上並免費提供。

PI5包含一個可充電電池盒。在充滿電後，根據藍牙，自適應降噪和環境直通等的使用的程度，可以提供長達20小時的連續無線媒體流傳輸，這包括在平均播放音量級別下啟用了降噪功能。

1. PI5 紙箱內容

PI5 塞耳式耳機 (M)
充電盒
USB-C 充電線
耳塞 (S/L)
資料包

2. 了解你的PI5

2.1 開啟和關閉耳機

開啟/關閉

PI5 沒有電源控制，而是自動進行電源管理。您的 PI5 耳塞放入充電盒後將自動充電，並且從盒中取出後即可使用。

當您的耳塞從充電盒中取出並在 5 分鐘內未有使用時，它們將進入省電模式。要退出節能模式，請通過連接已配對的設備，並傳輸音頻或將耳塞插入耳中來再次開始使用耳塞。

2.2 耳機控制

每個耳塞在耳塞的頂蓋上都有一個多功能按鈕，請參見圖 1。多功能按鈕控制項如下：

媒體播放：

功能	動作
播放或暫停	按下多功能按鈕一次。
播放下一首曲目	快速連續按兩下多功能按鈕。
播放上一曲	快速連續按三下多功能按鈕。

手機通話功能：

功能	動作
接聽電話	在有來電時按一次多功能按鈕。
結束通話	當來電時，快速連續按兩次多功能按鈕。
拒絕來電	當來電時，快速連續地按下多功能按鈕兩次。

3. 智能功能

3.1 自適應降噪

噪音消除是一系列先進技術，可幫助從周圍環境中消除不願聽到的噪音。

PI5 擁有我們在自適應噪聲消除方面的最新創新，其中包括智能感應，進行最適合您的周圍環境的噪聲消除和調整。隨著您周圍環境的變化，噪音消除功能將自動適應您的新環境。

按住左 (L) 耳塞多功能按鈕 1 秒鐘即可激活降噪功能，再按 1 秒鐘可循環選擇以下模式：開，自動或關。有關按鈕的位置，請參見圖 2。

功能	應用
開	消除周圍環境中不願聽到的噪音。
自動	智能地適應最適合您當前環境的噪音消除。
關	關閉噪音消除功能。

3.2 語音協助

按住右 (R) 耳塞多功能按鈕 1 秒鐘，即可激活語音助手。有關按鈕的位置，請參見圖 2。

3.3 環境直通

PI5 具有環境直通功能，可以在不摘下耳機的情況下聽到周圍環境的一些外部噪音，例如安全公告或談話。

可以通過 Bowers & Wilkins 耳機應用程式啟用或停用環境直通。亦可以通過應用程式調整環境直通級別，高/低/關，以適應您的需求。

3.4 穿戴傳感器

PI5 在兩個耳塞中均配置了我們最新的增強型佩戴檢測傳感器。當耳塞從耳朵移開時會進入省電模式，從而實現了智能電池節省。再次佩戴時，PI5 會自動喚醒並連接到最後連接的藍牙設備。

從耳中取出耳塞後，傳感器還會暫停音頻。將耳塞放回耳朵後，播放將自動恢復。自動恢復功能已得到進一步優化，因此只有在您準備就緒時，它便可以使用。

佩戴傳感器可以從 Bowers & Wilkins 耳機應用程式中關閉。

注意：配戴耳機時要特別小心，耳朵及耳塞之間夾住的頭髮或配件可能會干擾接近之感應。

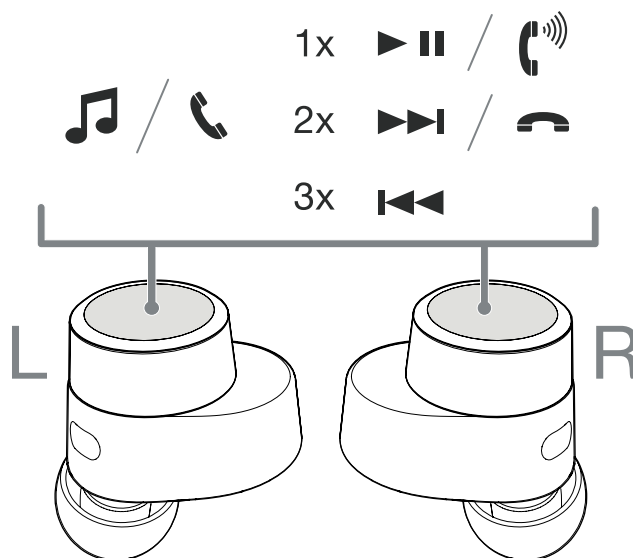


圖 1
多功能按鍵

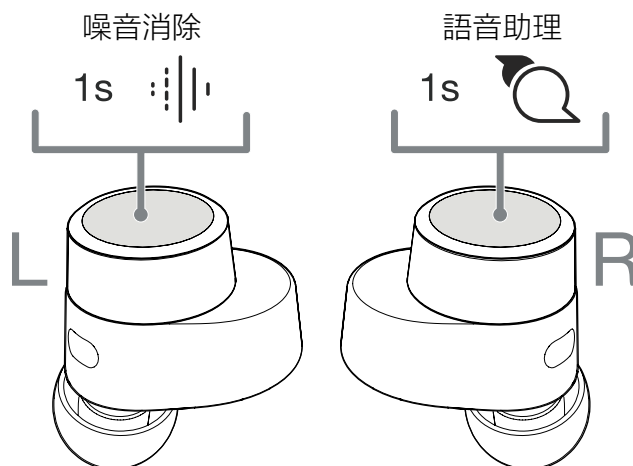


圖 2
耳機控制

4. 存放耳塞

當不使用時，PI5耳塞應存放在充電盒中，並在當中充電，為將來使用做好準備。

5. 電池充電

PI5出廠時，充電盒和耳塞電池已部份充電，並可立即使用。為了獲得最佳使用體驗，我們建議您在首次使用前將耳機完全充滿電。請最多允許3個小時以充滿電。

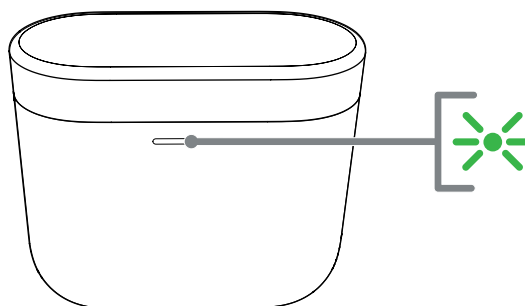
要為PI5耳塞充電：

1. 將PI5耳塞放在充電盒中。
2. 關閉充電盒蓋。

要為PI5充電盒充電：

1. 使用提供的USB充電電線，並將USB插頭連接到USB充電器或能供電的電腦USB插座。
2. 然後將USB-C端連接到充電盒的USB-C插座。

注意：在充電過程中，充電盒的指示燈將閃爍綠色。充滿電後，指示燈將保持點亮狀態。可以在將耳塞裝入或未裝入盒內的情況下對充電盒進行充電。



要使用無線充電機為PI5充電盒充電：

1. 將充電盒放在無線充電機上。
2. 確保充電盒的背面在充電機上（充電盒指示器朝上）。

注意：在充電過程中，充電盒的指示燈將閃爍綠色。充滿電後，指示燈將保持點亮狀態。

5.1 狀態指示器

狀態指示燈位於充電盒的正面。將耳塞放在充電盒後，LED會提供有關耳塞的信息。從盒中取出耳塞後，LED會提供有關充電盒的信息。有關LED的狀態，請參見圖3。

當耳塞放在充電盒中

指示燈	操作狀態
綠色（盒蓋打開）	耳塞電池電量>40%
黃色（開機後）	耳塞電池充電>20%，<40%
紅色（開機後）	耳塞電池電量<20%
紅色（閃爍）	耳塞恢復出廠設置
紅色（穩定）	硬件重置/系統衝突
藍色（閃爍）	配對模式已啟用
藍色（穩定3秒）	配對成功

從充電盒中取出耳塞

指示燈	操作狀態
綠色（盒蓋打開）	電池充電>40%
黃色（開機後）	電池充電>20%，<40%
紅色（開機後）	電池充電<20%
紅色（閃爍）	出廠重置
紅色（穩定）	硬件重置/系統衝突

圖3
狀態指示燈

6. 藍牙連接

6.1 配對

PI5耳機旨在從藍牙音頻設備（例如，智能手機，平板或電腦）無線串流傳輸音樂。為此，必須先將耳機和設備配對。

收到PI5耳機後，它們便可以與任何藍牙音頻設備配對了。

6.1.1 iOS系統/ 不使用Google FastPair的Android系統。

1. 下載Bowers & Wilkins耳機應用程序。
2. 打開耳機盒蓋，盒上指示燈將閃爍藍色。
3. 轉到設備上的藍牙配對菜單，然後從設備列表中選擇“Bowers & Wilkins PI5”。
4. 耳機盒指示燈將變為穩定的藍色，表示配對成功。
5. 打開Bowers & Wilkins應用程序並添加耳機。

注意：如果在5分鐘內未配對任何設備，則耳機將自動退出藍牙配對模式。如果配對失敗，指示燈將快速閃爍藍色，請嘗試再次配對。

配對到之後的裝置。參見圖4：

1. 打開盒蓋，將耳塞放入盒內。
2. 按住機盒內的按鈕1至5秒鐘，機箱指示燈將閃爍藍色。
3. 轉到新設備的藍牙配對菜單，然後從設備列表中選擇“Bowers & Wilkins PI5”。
4. 機盒指示燈將變為穩定的藍色，表示配對成功。

PI5最多可以記住4個配對的藍牙設備。重複上述步驟以配對更多設備。

注意：如果5分鐘內未配對任何設備，則您的耳塞將自動退出藍牙配對模式。如果配對失敗，指示燈將快速閃爍藍色，請重新嘗試配對。

6.1.2 Google FastPair（適用於結合了GFP功能的Android系統）

添加耳機：

1. 將耳機盒放在離Android設備（啟用BT）不超過10厘米（4英寸）的位置，然後打開PI5耳機盒蓋。
2. 將會彈出一個GFP（Google FastPair）通知視窗，顯示“檢測到Bowers & Wilkins PI5”並請求開始配對過程。
3. 按視窗上的“通知”按鈕以啟用配對，成功連接將顯示在GFP視窗中。
5. 配對後：
 - GFP視窗會將您定向到Google Play商店，以下載並安裝Bowers & Wilkins應用程序。
 - 在GFP視窗中可以看到左/右耳塞和耳機盒電量

6.2 斷開與設備的連接

通過將耳塞放回機盒，可以快速斷開PI5與設備的連接。或者，您可以使用Bowers & Wilkins耳機應用程序的Connections進一步管理連接。

6.3 應用程式功能

Bowers & Wilkins耳機應用程序為諸如自適應噪聲消除，環境直通和佩戴傳感器等功能提供了擴展的設置和調整。該應用程序還提供進一步的自行設置，例如語音提示，環境聲直通級別，連接管理和耳機軟件更新。該應用程序可在iOS和Android設備上免費下載。

添加耳機：

1. 在您的移動設備上，下載並安裝Bowers & Wilkins耳機應用程序。
2. 啟動應用程序，然後閱讀並遵循與應用程序通知和權限有關的說明。
3. 進入主屏幕後，只需點擊+，然後按照應用程序內的說明進行操作。

6.4 耳機軟件更新

Bowers & Wilkins有時會提供可用的軟件更新，以完善和優化耳機的性能或添加新功能。

當軟件更新可用時，Bowers & Wilkins耳機應用程序將通知您，點擊通知並按照應用程序內說明進行操作。

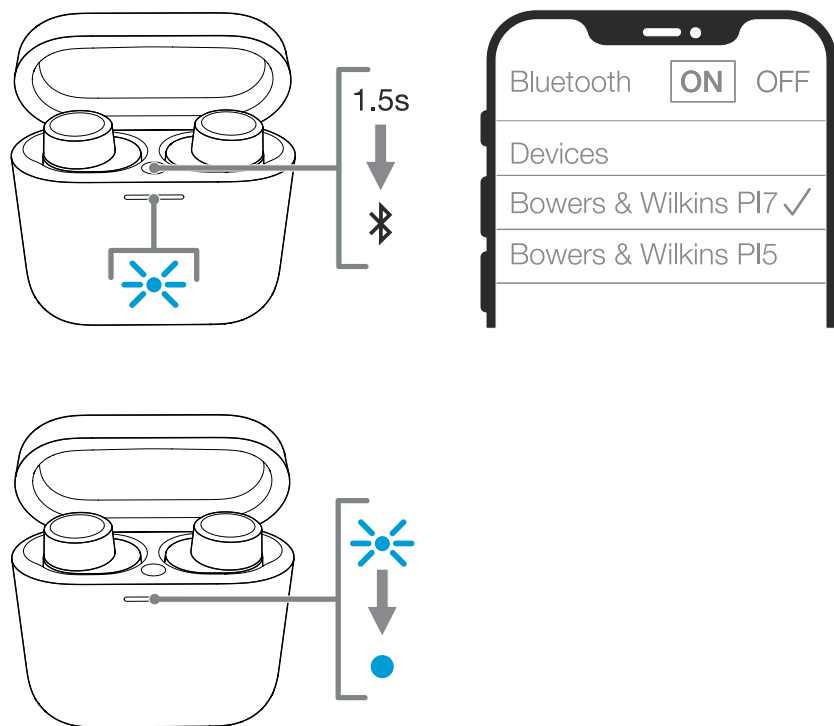


圖4
藍牙配對-後續設備

7. 佩戴耳機

正確佩戴耳機將有助於確保您獲得最佳體驗，請參見圖5。與許多入耳式耳機一樣，P15耳塞旨在密封耳道，以實現最佳性能。耳塞膠有三種尺寸（小，中和大）。找到適合您的耳朵的尺寸對於獲得良好的密封性並確保P15和自適應噪聲消除等高級功能發揮最佳性能至關重要。

1. 通過找到位於每個耳塞內側的L和R標識來識別左右耳塞。
2. 將耳塞放在您的耳朵中，然後將耳塞稍微向後扭轉，以使末端與耳道的開口舒適地接合。
3. 如果耳塞的大小感覺較大或較小，請嘗試使用其他尺寸的耳塞膠，以確保最佳貼合度。

注意：為優化通話質量，請確保耳塞下方的麥克風朝外，請參見圖5。

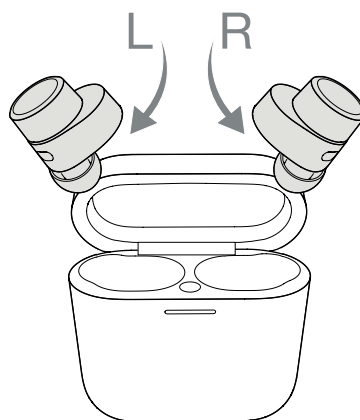
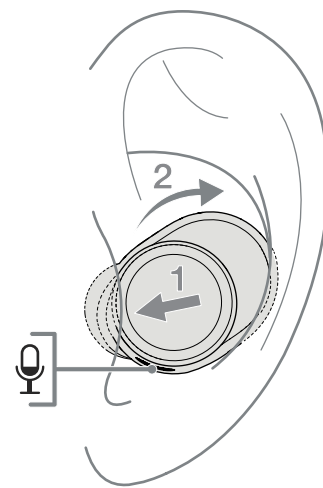


圖5
佩戴耳機



8. 重置/故障排除

8.1 恢復出廠設置

您可以清除配對的設備歷史記錄，並將所有設置恢復為默認設置。

要恢復出廠時耳塞的設定，請在將耳塞放在盒內的情況下打開充電盒。按住機箱內部的按鈕5秒鐘，然後鬆開。盒上的指示燈將變為紅色以指示已重置。

注意：如果耳塞無法正常工作，請恢復出廠設置以解決此問題。

8.2 硬重置

要硬重置耳塞，請打開並放入耳塞的盒子。按住機箱內的按鈕15秒鐘，直到LED指示燈熄滅並呈綠色亮起以指示硬重置過程完成。

注意：對於嚴重的系統崩潰（紅色LED持續亮起），請執行硬重置。

9. 耳機保養

可用濕布清潔耳塞，然後輕輕擦拭直至清潔。請勿使用清潔洗滌劑，酒精或化學清潔劑/拋光劑，否則可能會損壞您的耳塞。

10. 服務/支援

如果您需要解決特定問題的幫助，或者只是想你的問題得到一個簡單的答案請首先諮詢Bowers & Wilkins網站的耳機支援部分：www.bowerswilkins.com。

規格

技術特點	真無線技術 具有AptX 的藍牙5.0 自動ANC 無線和USB-C充電 支持快速充電
藍牙編解碼器	AptX AAC SBC
藍牙配置文件	A2DP v1.3.1 AVRCP v1.6.1 HFP v1.7.1 HSP v1.2 BLE GATT (Generic Attribute Profile 通用屬性配置文件)
頻帶	發送模式: 2402MHz至2480MHz, ISM頻段 接收模式: 2402MHz至2480MHz, ISM頻段
射頻輸出功率	< = 10.0 dBm
驅動單元	9.2mm動圈
頻率範圍	10Hz 至 20kHz
失真度(THD)	<0.3% (1kHz/10mW)
電池續航時間	長達4小時藍牙運作
充電	15分鐘充電 = 2小時藍牙運作
輸入	藍牙
重量	耳塞7克, 充電盒47克