

PARASOUND

2019 PRODUCT LINES

Integrity endures.™

Z CUSTOM PARASOUND



PARASOUND ZoneMaster



PARASOUND NEW CLASSIC



ZONEMASTER LINE

Universal Amplifiers

— Common Features of the ZoneMaster Family —

- Universal applications from 50 to 200 watts
- High current for stable operation at 2 Ohms
- A and B speaker outputs connections for each channel (except 450)
- Channel pairs bridgeable for up to 200 watts @ 4 Ohms
- Class AB input stage plus premium Class D power stage
- Independent audio sensing triggers, one for each zone
- Independent 12 volt trigger inputs, one for each zone
- Looping 12 volt trigger outputs for each zone (not 450)
- Bus inputs (650 and 1250 only)
- Mono mode combines L and R for single speaker applications
- Separate level controls for all channels
- Detachable speaker connectors accept up to 12 gauge wire
- Short circuit/overheat protection front panel indicators
- 0.5 watt standby power meets Energy Star and EU specs
- Compact chassis (1/2 width 1U(250 & 450), 1U(650), 2U(1250))
- Rack mounting hardware is included (650 & 1250 only)
- Speaker level input for expanding systems w/out pre out jacks

ZoneMaster Model 1250 Universal 12 Channel Amplifier



12 channels/24 speakers

- 50 watts x 12 @ 8Ω
- 90 watts x 12 @ 4Ω or 2Ω
- 160 watts x 6 @ 8Ω (Bridged)
- 200 watts x 6 @ 4Ω (Bridged)

ZoneMaster Model 650 Universal 6 Channel Amplifier



6 channels/12 speakers

- 50 watts x 6 @ 8Ω
- 90 watts x 6 @ 4Ω or 2Ω
- 160 watts x 3 @ 8Ω (Bridged)
- 200 watts x 3 @ 4Ω (Bridged)

ZoneMaster Model 450 Universal 4 Channel Amplifier



4 channels/8 speakers

- 50 watts x 4 @ 8Ω
- 90 watts x 4 @ 4Ω or 2Ω
- 160 watts x 2 @ 8Ω (Bridged)
- 200 watts x 2 @ 4Ω (Bridged)

- 1/2 size rack units; Rack mount with ZRK sold separately
- *Does NOT have A/B outputs (no room on the rear panel for connectors) but is 2 Ohm stable

ZoneMaster Model 250 Universal 2 Channel Amplifier & Sub Amplifier



2 channels/4 speakers

- 50 watts x 2 @ 8Ω
- 90 watts x 2 @ 4Ω or 2Ω
- 160 watts x 1 @ 8Ω (Bridged)
- 200 watts x 1 @ 4Ω (Bridged)

- 1/2 size rack units; Rack mount with ZRK sold separately
- Full Range Mono RCA output
- 80Hz low pass Mono RCA output (for sub)
- Built in 80Hz low pass filter in bridged mode for driving in-wall/in ceiling woofers or passive sub(s).

Z CUSTOM LINE

Half Rack-Space Components

Z Custom is our line of ultra-compact components that delivers true high-end performance where space is tight. Equally comfortable on a desk or in a cabinet, the Z Custom series can fit wherever good sound is needed.

Zamp v.3 Two Channel Amplifier



- 45w/ch 8 Ω • 60w/ ch 4 Ω • 90w mono 8 Ω
- Automatic on/off by 12 V trigger or audio signal
- Analog class AB design
- Fully discrete circuitry with Toroid transformer
- Unique half-rack width chassis; 1 rack space high

Applications

- Use with an AVR to power a second zone
- Use to power a multi-zone audio system
- Use with a Zpre2 for hi-end desktop system
- Connect to a Sonos® player for a sonic upgrade

Zdac v.2 192kHz DAC & Headphone Amp



- Analog volume control for RCA and XLR outputs
- 1/4" and 1/8" 24k gold plated headphone jacks
- Premium Analog Devices AD1853 24-bit/192 kHz DAC IC
- Optical, coax and USB inputs to connect to PC or Mac
- Asynchronous sample rate conversion for all inputs including the USB input
- High current headphone amp with separate volume control
- Oversized internal toroid power transformer

Applications

- Dramatically improve sound quality of Sonos® Connect
- Use USB input to play music directly from a computer
- Upgrade CD players to state of the art sound quality
- Connect to an HDTV's optical audio output

Zphono MM/MC Phono Preamplifier



- Compatible with all line level preamplifiers
- Selectable gain for moving magnet or moving coil
- AC polarity switch to help eliminate hum
- Ultra-low distortion; RIAA accurate to 0.25dB
- Ultra high speed, low noise opamps
- Audiophile grade resistors and capacitors
- Unique half-rack width chassis; 1 rack space high



Zphono XRM MM/MC Phono Preamplifier



- Dual inputs, fully independent signal paths for two turntables (1 MM & 1 MC)
- Front panel input select switch
- Front panel mono/stereo mode switch
- Front panel rumble filter switch
- Balanced and unbalanced outputs
- Variable MC impedance adjustment of 50-1050 ohms
- RIAA accurate to within 0.2 dB
- Ultra-low distortion (<0.02% THD)

Zpre3 Stereo Preamplifier



- Front panel LCD display with dimming
- Automatic turn on volume memory
- Favorite volume memory with remote control button
- 2-way RS232 w/ exact volume control & feedback
- Discrete commands for all functions
- Rename inputs to match connected source
- 5 audio inputs including a front panel Aux input
- Bypass input integrates easily w/ a Sonos Connect® etc.
- Bass, treble and balance adjustments by remote control
- Variable and fixed stereo outputs
- Variable and fixed mono/subwoofer outputs
- 12V trigger output and rear panel IR input

What has changed from the Zpre2 ?

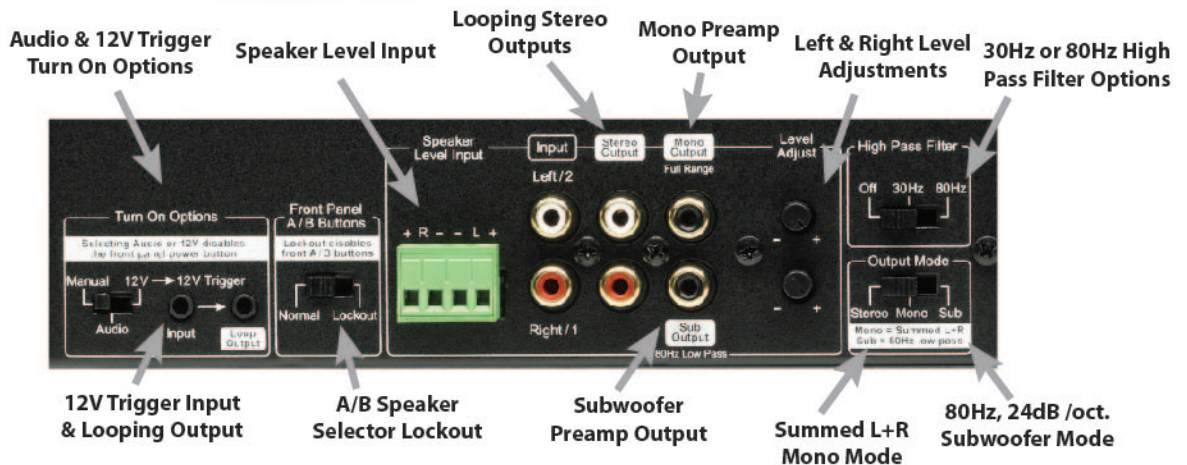
- o Front panel LCD display
- o RS232 w/ exact volume control & feedback
- o Bass, treble & balanced control by remote
- o Automatic turn on volume memory
- o Favorite volume memory
- o Bypass input and front panel Aux input
- o Subwoofer and mono outputs

ZRK Rack Mount Kit for Half Width ZoneMaster & Z Custom Products



ZoneMaster 2350 Universal Two Channel Amplifier with Sub Crossover

- Power Output (both channels driven):
350 watts x 2 @ 8ohm
600 watts x 2 @ 4ohm or 2ohm
- Two pairs of speaker outputs with A/B speaker selector
- High pass filter, switchable for 30Hz or 80Hz
- Automatic on/off by 12V trigger/audio signal
- Speaker level input
- Drives multiple subs without an external crossover
- Subwoofer 80Hz, 24dB/oct. low pass preamp output
- 2U rack mount hardware included



ZoneMaster 4 DAX Four Zone 192kHz/24bit DAC and Crossover

- Four independent DACs in a single 1U chassis
- 192kHz/24bit ESS Sabre DAC ICs
- 3 Volt high gain outputs
- High and low pass crossovers for each zone
- Mono, stereo, & sub outputs for each zone



The ZoneMaster 4 DAX frees installers of the SONOS® CONNECT's major limitations:

Inferior Sound Quality

The 4 DAX uses four ESS Sabre DAC chip sets for superior sound quality

Lacks Subwoofer Output

The 4 DAX includes subwoofer output & high pass output for each zone

No 12 Volt Triggers

The 4 DAX has bitstream activated 12 Volt output for each zone

Limited connectivity and system flexibility

The 4 DAX offers greatly enhanced connectivity and flexibility. The 4 DAX puts the 'custom' back into "Custom Integration"

PARASOUND

NEW CLASSIC

200 Pre Stereo Preamplifier & DAC



- Burr-Brown 192kHz-24 bit DAC from the Halo P 5
- USB, Optical and Coax digital audio inputs
- 4 Analog audio inputs
- Phono input for MM or MC cartridges
- Bass, treble and balance adjustments by remote control
- Control4 drivers and module available soon
- W • D • H: 17.25" • 15" • 2.5" (1.75" 1U, no feet)



275 v.2 2 x 90w Power Amplifier



- 2 x 90w, 8 Ω • 2x 150w, 4 Ω • 2 x 150w, 2 Ω • 200w mono
- 30 amps peak current per channel
- 2 pair speaker terminals and select switches w/ lockout
- 3 turn-on options: manual, 12v trigger & audio
- 20/40 Hz high pass crossover switch
- 2 Ω stable operation
- W • D • H: 17.25" • 15" • 2.5" (1.75" 1U, no feet)

2125 v.2 2 x 150w Power Amplifier



- 2 x 150w, 8 Ω • 2x 225w, 4 Ω • 2 x 225w, 2 Ω • 400w mono
- 35 amps peak current per channel
- 2 pair speaker terminals and select switches w/ lockout
- 3 turn-on options: manual, 12v trigger & audio
- 20/40 Hz high pass crossover switch
- 2 Ω stable operation
- W • D • H: 17.25" • 15" • 4.25" (3.5" 2U, no feet)

2250 v.2 2 x 275w Power Amplifier



- 2 x 275w, 8 Ω • 2x 400w, 4 Ω • 2 x 400w, 2 Ω • 750w mono
- 45 amps peak current per channel
- 2 pair speaker terminals and select switches w/ lockout
- 3 turn-on options: manual, 12v trigger & audio
- 20/40 Hz high pass crossover switch
- 2 Ω stable operation
- W • D • H: 17.25" • 18.5" • 6" (5.25" 3U, no feet)

RMK-11 1U Rack Adapter 1U Rack Mount Kit for Models 200 Pre & 275 v.2

RMK-22 2U Rack Adapter 2U Rack Mount Kit for Model 2125 v.2

RMK-33 3U Rack Adapter 3U Rack Mount Kit for Model 2250 v.2

Rack mount kits may be purchased separately. Only included with ZoneMaster Model 1250 & 650.

PARASOUND PRODUCTS, INC. 2250 MCKINNON AVE. SAN FRANCISCO, CA 94124 415-397-7100

For more photos, features, specifications and product manuals, visit us at www.parasound.com