
WOO AUDIO WA7TP

Vacuum Tubes Power Supply Unit for WA7 and WA7d Fireflies



Owner's Manual

Please review this manual before operating your WOO AUDIO™ product.

Important Safety Information



CAUTION: Amplifiers are shipped without the vacuum tubes installed. The end user must install the tubes, taking great care to install them correctly in the appropriate sockets. Incorrect installation will result in *serious damage* **not** covered by the warranty.



Turn off immediately in the event of malfunction!
Should you notice smoke or an unusual smell coming from the equipment, turn it off immediately. Continued operation could result in injury.



Do not disassemble
The unit contains high voltage circuitry. Touching the amplifier's internal parts may result in injury. In the event of malfunction, the product should be repaired only by a qualified technician.



Keep out of children
Failure to observe this precaution could result in injury



WARNING: Failure to follow these instructions could result in fire, electric shock, or other injury or damage.

Table of Contents

Important Safety Information	2
Table of Contents	3
Overview	4
Getting Started	5
Operations	9
FAQ - Frequently Asked Questions	10
Warranty and Service	11
Specifications	12

Overview

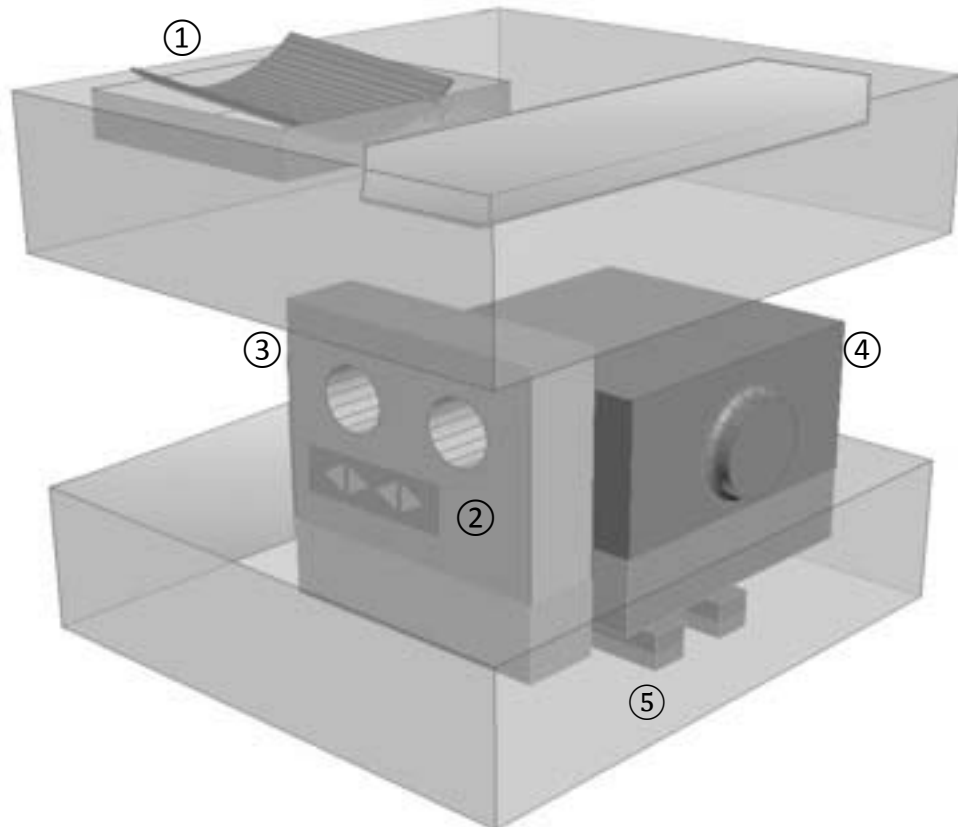
Thank you for choosing a Woo Audio product. WA7tp is a high performance vacuum tubes linear power supply for WA7 Fireflies and WA7d Fireflies Duo. It utilizes a pair of 12AU7/ECC82 tubes as rectifiers. This commonly available tube allows the user to tube swap among other brands available for a personalized, tailored sound signature. WA7tp boast the same all-aluminum chassis design with no visible screws from any viewing angles as the award-winning WA7 Fireflies. A thick block of the finest grade high-clarity glass that serves to protect the vacuum tubes rests on the chassis giving the WA7tp the same unmistakable appearance as WA7 Fireflies and WA7d Fireflies Duo. We carefully engineered the hefty over-sized volume knob found on WA7 to operate as power ON/OFF on WA7tp; paying close attention to how it feels when pressed. Moving up from the solid-state power supply (PSU) to the new WA7tp (vacuum tubes PSU) would improve the overall sound quality with enhanced stereo separation, smoother treble, more air, and more effortless sound. Available in anodized black and silver. WA7tp is compatible with all versions of WA7 Fireflies headphone amplifier/DAC. Please take a short time to read this manual in its entirety to familiarize yourself with the features and how to set up your WA7tp.

Features:

- Custom Toroidal power transformer
- All-aluminum chassis with no screws visible from any viewing angles
- High-clarity tube protection glass
- Multi-layer military grade PCBs
- Hand selected, matched pair 12AU7

Getting Started

What's in the box?



- ① Micro-fiber Polishing Cloth for glass and metal cleaning
- ② Anti-slip silicone rubber glass pads (4pcs)
- ③ Tube Protection Glass
- ④ WA7tp (tube power supply)
- ⑤ x2 12AU7 Matched Tubes

*** USB, AC power cord,
and inter-connection
cables are not included.**

Front Panel



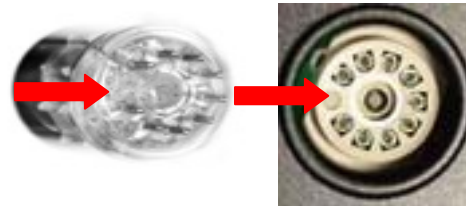
⑦ Power ON/OFF push button

Note: WA7tp ON/OFF button can power cycle WA7 and WA7d in a single operation when Power toggle switch on those units is set to ON.

Top Panel



⑧ Tube sockets for 12AU7 vacuum tubes



Please pay close attention to vacuum tube pins alignment during installation.

Hold the tube firmly, slowly inserting it down into the socket. Care must be taken to only apply force perpendicular to the tube socket; never insert it at an angle. Apply a slight rocking motion for harder to insert tubes, never apply circular motion.

Back Panel



⑨ Umbilical power cord socket (Female)

⑩ IEC type AC Power Inlet

⑪ Fuse box:

Slow blow fuse

400mA@115V or 200mA@230V

Umbilical Power Cord Installation

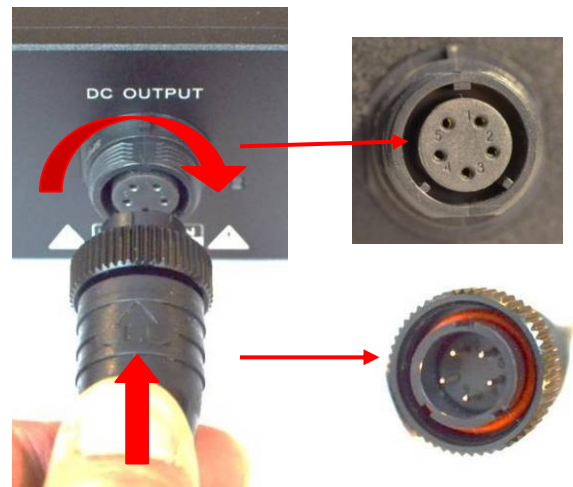
Connecting the Amplifier unit

Align the female plug to the DC input connector. The “arrow” marking on the plug should face up when it is properly oriented. Insert the plug into the socket and turn the locking ring on the plug until fully tightened.



Connecting the Power Supply unit

Align the male plug to the DC input connector. The arrow marking on the plug should face up when it is properly oriented. Insert the plug into the socket and turn the locking ring on the plug until fully tightened.



Installing the AC power cord (not supplied)

Plug the power cord into the AC inlet; see in the above diagram. The AC inlet socket is a standard IEC type. You will need to obtain the correct type for your region if it not supplied with your order



U.S.



European



U.K.

Selecting AC voltage:



Voltage on WA7tp is user selectable between 110v and 220v.



Prior to installing the vacuum tubes and glass, carefully turn over the WA7tp and check the voltage switch is set to correct voltage for your country.

Installing Tube Protection Glass:



Place the supplied (4 pieces) anti-slip silicone pads on each corner of WA7tp. This will prevent the glass from rubbing on the metal chassis. There are no adhesives on the silicone pads so no worries of glue residue.



Do not hit the tubes by the glass. The glass is heavy. Handle with both hands.



Operations

NOTE: WA7tp ON/OFF button ⑦ can power cycle WA7 and WA7d in a single operation when Power toggle switch on those units is set to ON.

DO NOT

- Turn on the unit before properly installing **ALL** tubes.
- Block vent holes of the power supply.
- Use tubes that are not approved by Woo Audio.
- Align the male plug to the DC input connector. The arrow marking on the plug should face up when it is properly oriented. Insert the plug into the socket and turn the locking ring on the plug until fully tightened.
- Remove any tubes or the umbilical power cord while the amp is operating.
- Touch tubes (**they may be extremely hot**) after warm-up.
- Leave the amp running unattended. (We suggest a maximum of 8 hours of continuous use, allowing the tubes time to cool before using again)

DO

- Place the amp away from any wireless or frequency-emitting devices such as cell phones, Wi-Fi routers and radios, to avoid noise interference.
- Keep away from water or excessive moisture.
- Turn off the amp if the audio stream or unit sounds abnormal.
- Allow a minimum of 2 inches of air clearance for heat dissipation.
- Allow approximately 3 minutes of warm-up.
- Allow the tubes to cool down before removing them.

FAQ - Frequently Asked Questions

The tubes does not light up in a soft glow.



- First check if the AC cord is installed.
- Then, check if the umbilical cord is securely attached between the amp and the power supply.
- Next, check if the power toggle switch of the amplifier unit is set to ON position.
- Finally, check if the fuse is burnt, see the following instruction on how to replace a fuse. The fuse type is a 20mm, 400mA@115V or 300mA@230V, slow blow type.



Insert a small flat screwdriver into the fuse door located on the AC inlet.



Pull the fuse door to open it.



The fuse holder may be released from the AC inlet.



Replace the burnt fuse with a new one

Warranty and Service

Woo Audio warrants this product free from defects in materials and workmanship for one (1) year from the original date of purchase. The tubes are warranted for 30 days unless otherwise stated. In the event that your Woo Audio product requires servicing, please contact us directly to receive return instructions. Please do not discard original packing materials. If for any reason, the equipment is to be shipped back to Woo Audio, please use the original packaging, including a copy of sales purchase documents and a detailed explanation of the problem(s).

Send service inquiry to info@woaudio.com

Any modification not authorized by WOO AUDIO will void this warranty.

Specifications

Model:	WA7tp
Power supply	External linear vacuum tubes power supply
Tubes used	Matched pair 12AU7 as rectifiers
Mains Supply:	100-120V, 220-240V, 50/60Hz, user selectable
Power consumption	25W max
Mains Supply:	100-120V, 220-240V, 50/60Hz, user selectable
Fuse	Slow blow fuse, 400mA@115V, or 300mA@230V
PSU body finish	Anodized Aluminum in Black and Silver
Dimension:	PSU: 4.8" L x 4.8" W x 5.1" H with glass
Weight:	PSU - 5.3 lbs / 2.4kg, Glass - 3.3 lbs / 1.5 kg

**Woo Audio is committed to continuously improve its products.
Features and specifications are subject to change without notice**