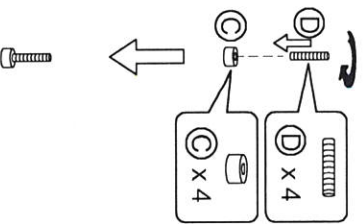
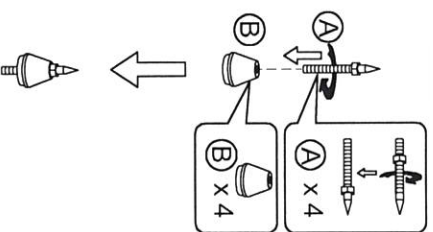


# Vulcan Amp Stand

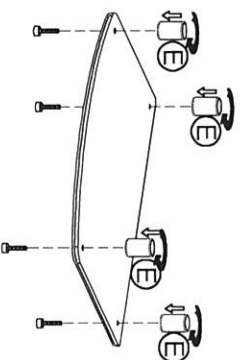
STEP 1



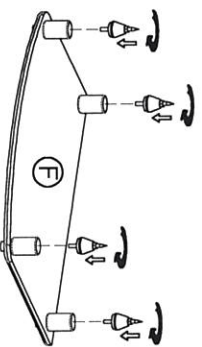
STEP 2



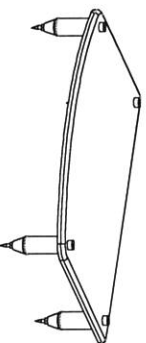
STEP 3



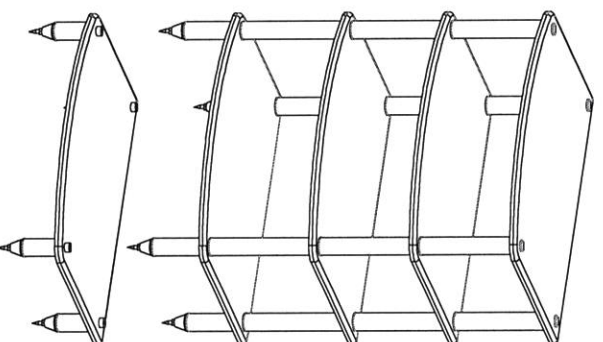
STEP 4



STEP 5



STEP 6



NO.	DESCRIPTION	QTY
		1
A	M8*82	8
B	∅ 38*30	8
C	∅ 20*10	4
D	M8*44	4
E	L=75	4
F	T=15mm	1