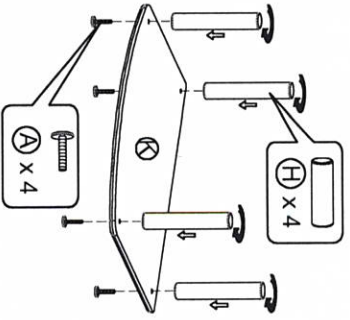
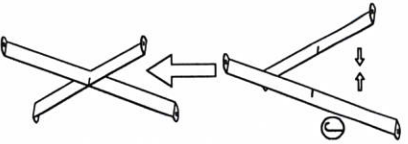


TURNTABLE STAND

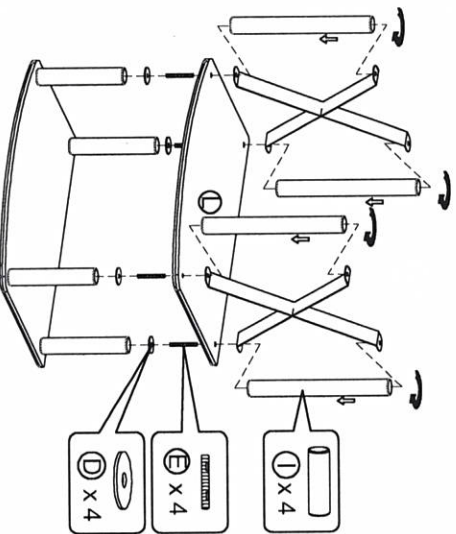
STEP 1



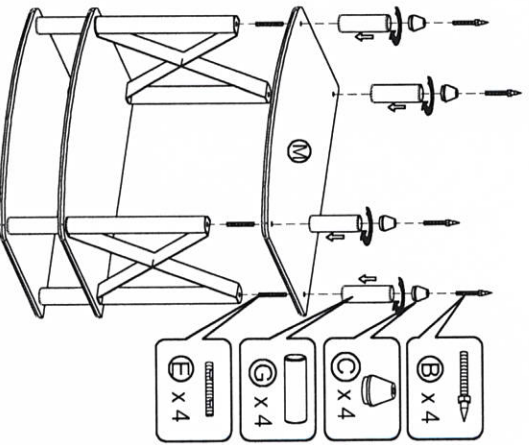
STEP 2



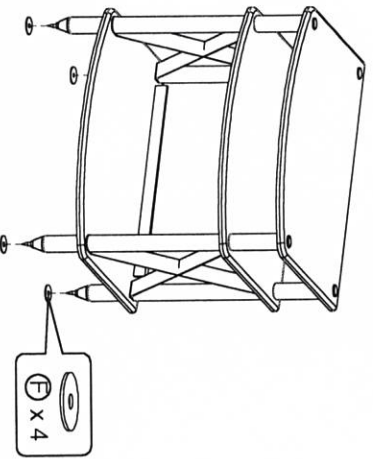
STEP 3
















STEP 4



STEP 5



NO.	DESCRIPTION	QTY
A	M8*40 	4
B	M8*82 	4
C	∅38*30 	4
D	∅39*2 	4
E	M8*67 	12
F	3T*18mm 	4
G	L=81 	4
H	L=178 	4
I	L=330 	4
J		4
K	T=19mm 	1
L	T=15mm 	1
M	T=15mm 	1