

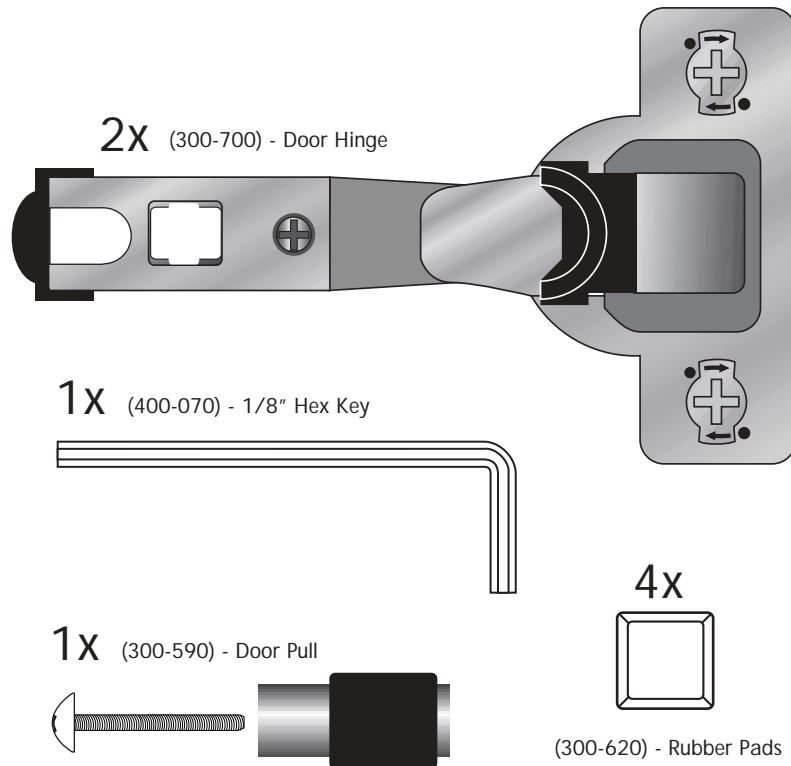
# SYNERGY DOOR - SD20 / SD30 / SD40



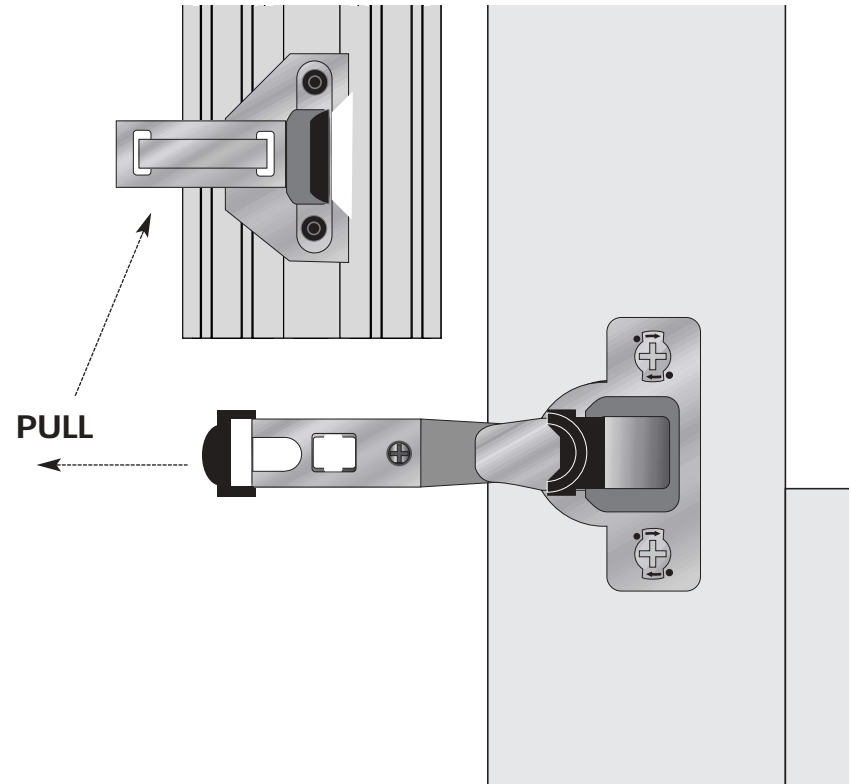
**WARNING:** When installing accessories such as doors or drawers to the base unit, read all instructions for the accessory and install in conjunction with these instructions.

## Parts

- 1 - Door Frame
- 1 - Inner Panel (Perforated Steel or Frosted Glass)
- 1 - Brown Door Panel Retainer



**Note:** The hinge can be separated by pulling the black tab and pulling apart the hinge from the hinge base. Separated hinges snap back together.

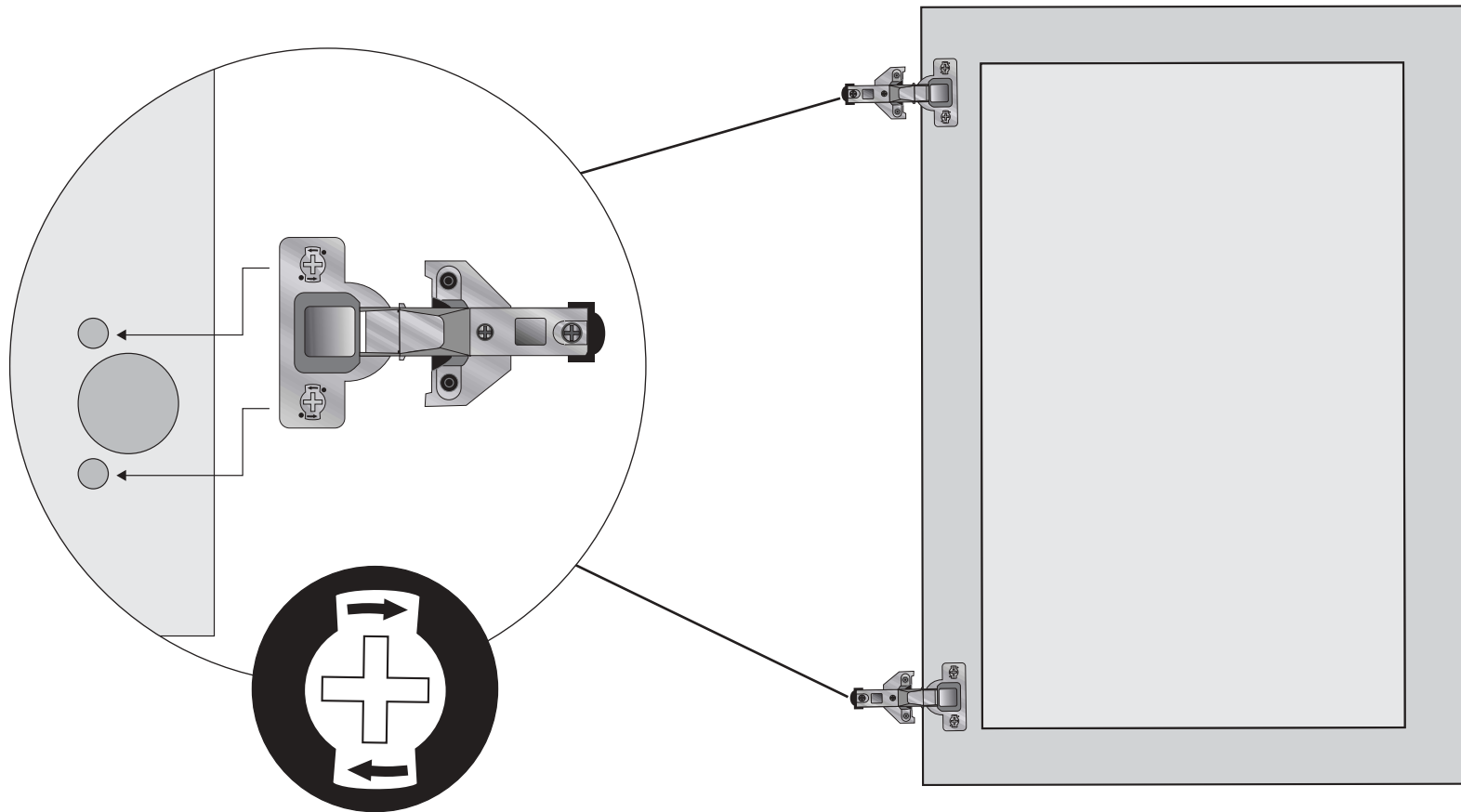


# 1

## Attach Hinge to Door

Insert the hinges into the corresponding holes on the door.  
Turn the screws 1/4 turn to the right to lock hinges in place.

**NOTE: Do not over tighten or the hinge will break.**



### Limited Warranty

For five full years Salamander Designs Ltd will repair or replace, at our option, any product defective in materials or craftsmanship. Salamander Designs Ltd. will not be responsible for any damage to or destruction of other equipment consequential to our equipment failure. Defective product must be given Return Authorization and is to be returned to the factory prepaid, in the original carton and packing material. Any damage incurred in a shipment not in original packaging shall be the responsibility of the owner. Warranty repairs will be returned prepaid, via UPS within the continental U.S.A. only.

**Salamander Designs Ltd. 800-535-5659**

•

**[www.SalamanderDesigns.com](http://www.SalamanderDesigns.com)**

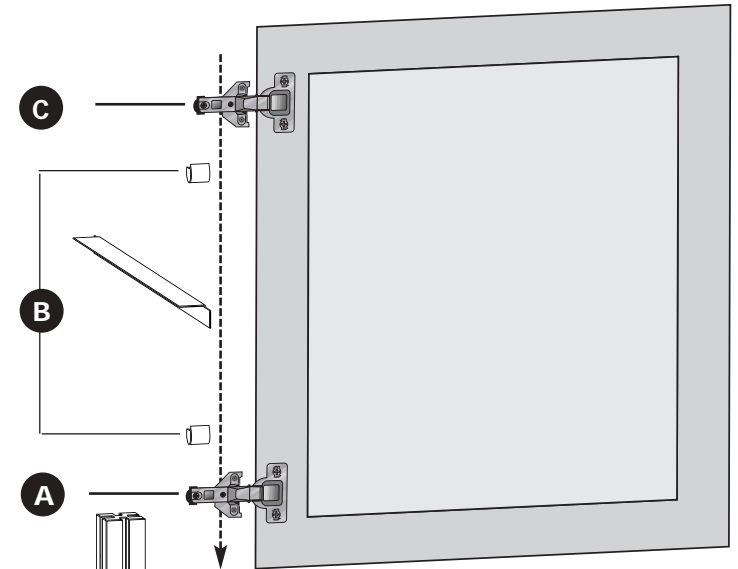
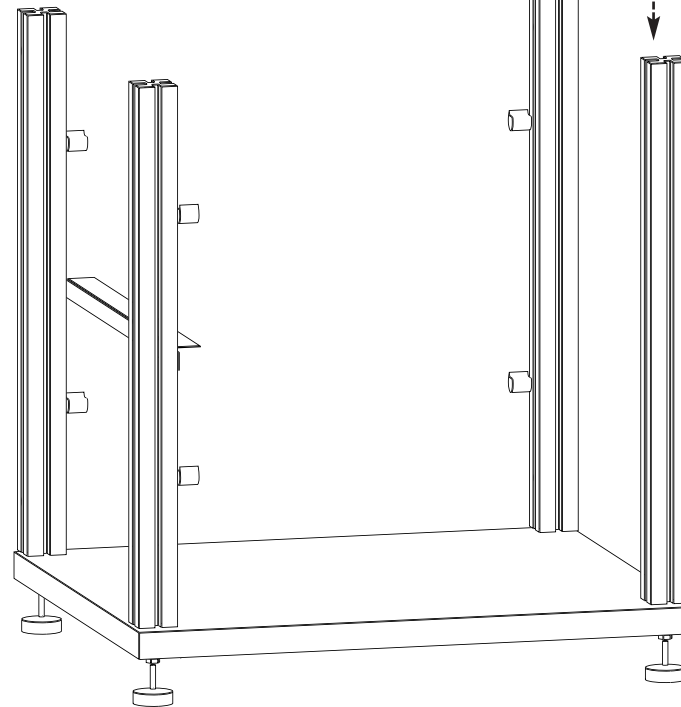
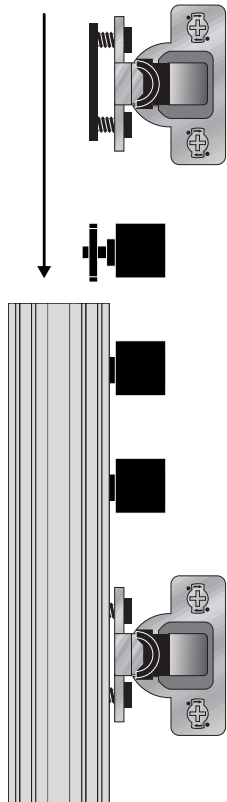
# 2

## Insert Hinges & Shelf Pegs

**NOTE:** Remove all shelf support pegs from previously assembled racks before adding the door..

The door can be either left or right side opening. Select a side to open door.

- A.** Hold door above the post and slide the bottom hinge plate through the post channel.
- B.** Insert all shelf pegs and heavy shelf brackets (if applicable).
- C.** Slide top hinge plate through.

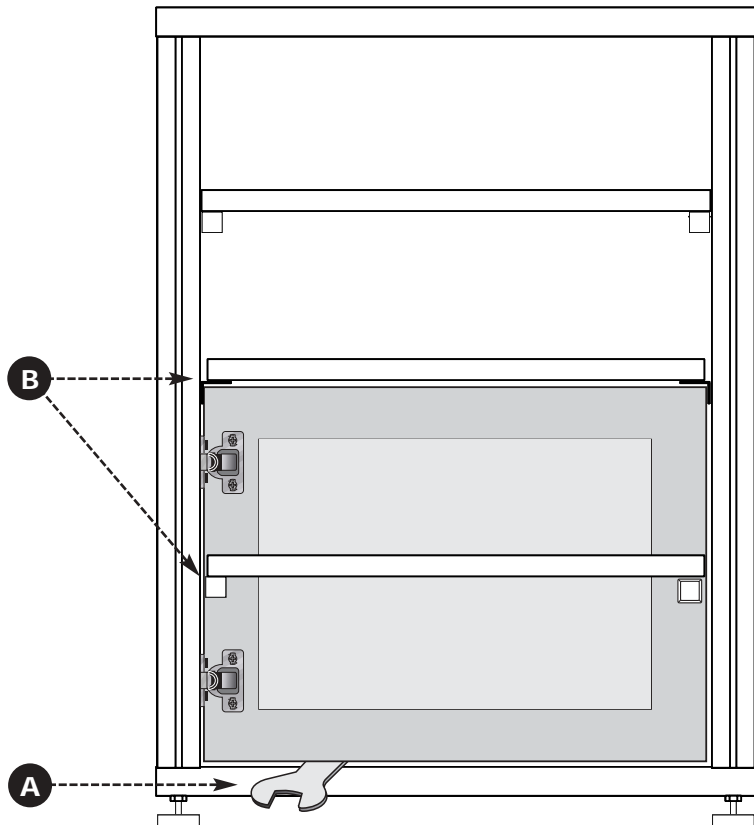


### 3 Align Door with Shelves

#### NOTES

- When installing a door that is shorter than the full rack height slide the heavy shelf bracket to the top of the door. Slide the shelf on the bracket forward to cover any gap that may appear.
- If the door needs to be parallel to the posts, twist the smaller flat headed philips screws on each of the hinges.

- A.** Make sure bottom of door is 1/8" above the top of the bottom base shelf. Place the wrench (included with base unit) on the bottom shelf and rest the door frame on it.
- B.** Adjust shelf pegs and shelf bracket.



### 4 Rubber Stops & Door Pull

- A.** Attach the rubber stops to the inside of the door frame where it hits the shelf pegs when closing the door.

