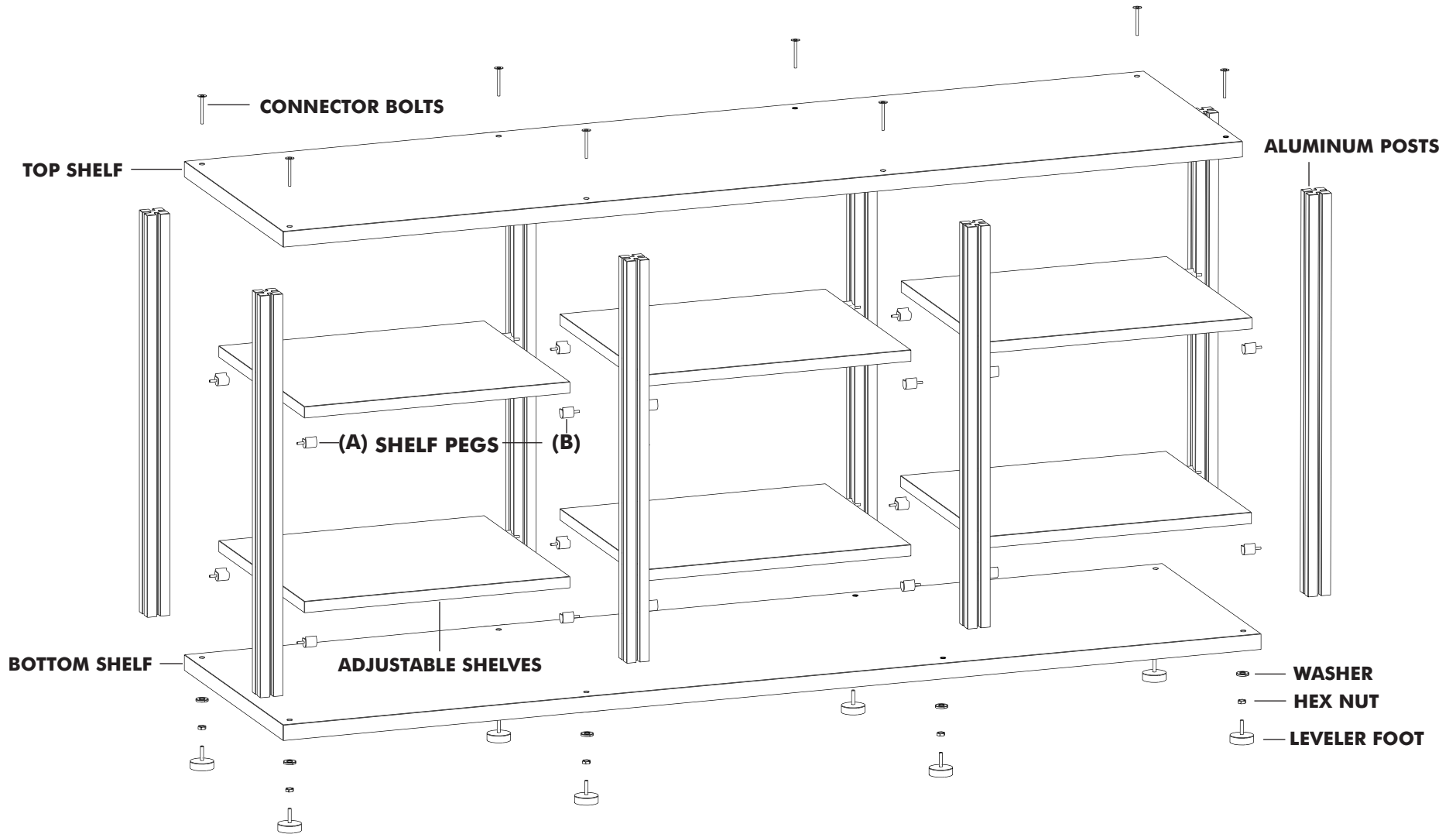


# SYNERGY TRIPLE UNIT - SL20 / SL30 / SL40



**WARNING:** If you are installing accessories such as doors or drawers to the base unit, read all instructions for the accessory and install in conjunction with these instructions.



\* Diagram: Synergy 30 Triple Unit

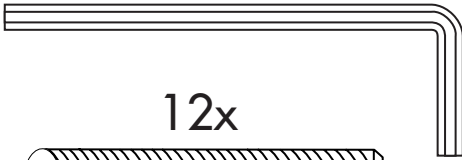
Doc No. 500-780 v6.05 TRIPLE - 1 of 4

# Parts

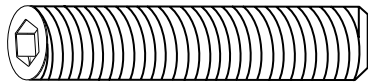
- 8 - Aluminum Posts      Adjustable Shelf (SL20 -3) • (SL30 - 6)
- 1 - Top Shelf            1 - Spacer Tool
- 1 - Bottom Shelf
- 3 - Rear Panels

## Rear Panel Bags - PHK-240

1x (400-070) - 1/8" Hex Key

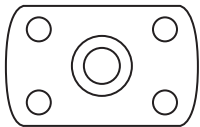


12x



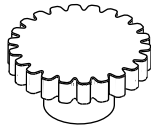
(300-510) - Stud

12x



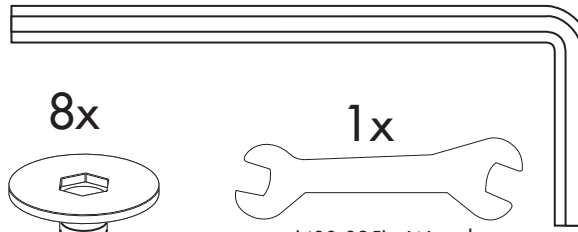
(300-560) - Flat Nut

12x

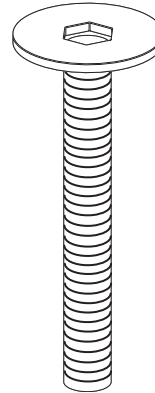


(300-530) - ThumbNut

1x (400-060) - 3/16" Hex Key

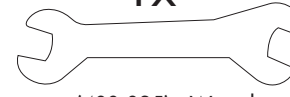


8x



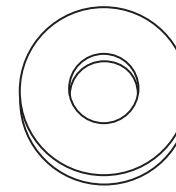
(300-540)  
Connector Bolt

1x



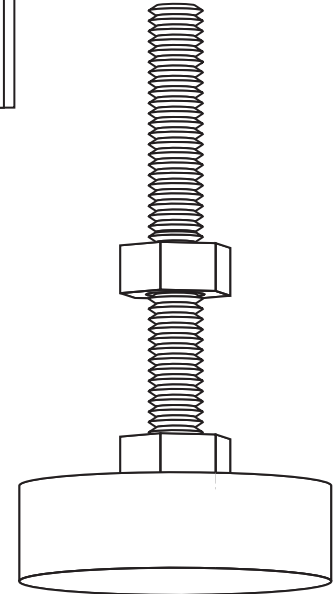
(400-035) - Wrench

8x

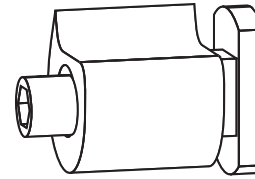


(300-470)  
Washer

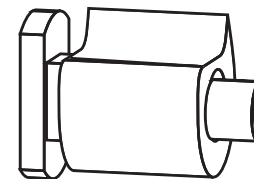
8x



(P-300-320) - Leveler Foot



(PHK-380)  
Shelf Peg "A"  
SL20 - 6x  
SL30 - 12x



(PHK-370)  
Shelf Peg "B"  
SL20 - 6x  
SL30 - 12x

1x



(P-400-040) - Level



## Limited Warranty

For five full years Salamander Designs Ltd. will repair or replace, at our option, any product defective in materials or craftsmanship. Salamander Designs Ltd. will not be responsible for any damage to or destruction of other equipment consequential to our equipment failure. Defective product must be given Return Authorization and is to be returned to the factory prepaid, in the original carton and packing material. Any damage incurred in a shipment not in original packaging shall be the responsibility of the owner. Warranty repairs will be returned prepaid, via UPS within the continental U.S.A. only.

**Salamander Designs Ltd. 800-535-5659**

©2003 Salamander Designs Ltd. ® Synergy System - U.S.A. Patented.

**www.SalamanderDesigns.com**

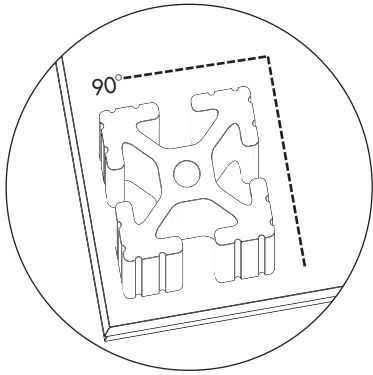
Doc No. 500-780 v6.05 TRIPLE - 2 of 4

# 1 Connect Posts to Bottom Shelf

**WARNING:** Tighten by screwing the leveler foot NOT the post.

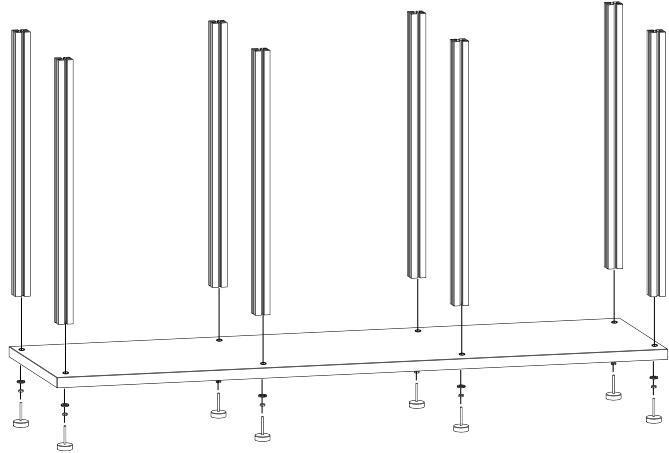
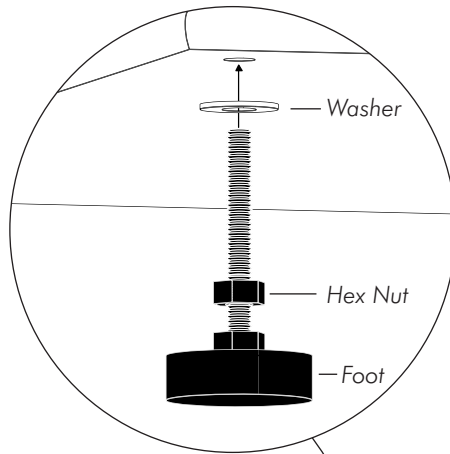
## A. Square Post

Square the post to the bottom shelf.



## B. Connect Post

Screw foot with metal washer through bottom shelf and onto the end of an extruded post. Hand tighten fully then use wrench on hex nut to tighten nut onto underside of shelf.



# 2 Add Shelf Pegs

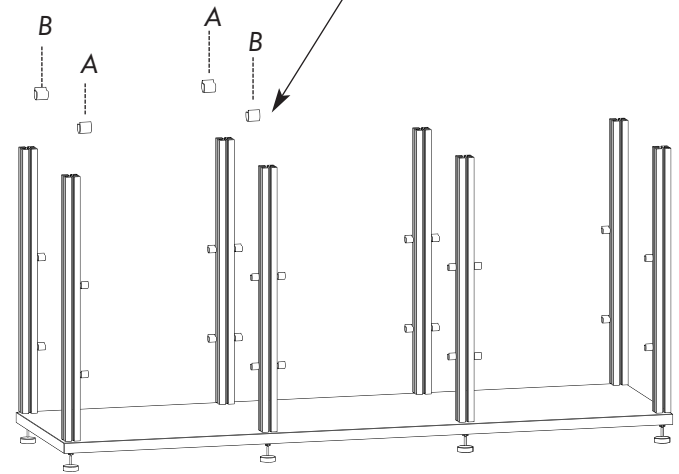
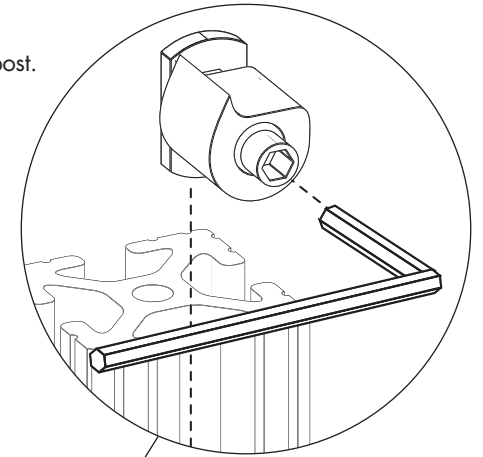
**WARNING:** If you are installing an optional door or drawer refer to specific instructions before proceeding.

## A.

Insert all shelf pegs down each post.

## B.

Gently tighten pegs with the hex key to desired position.

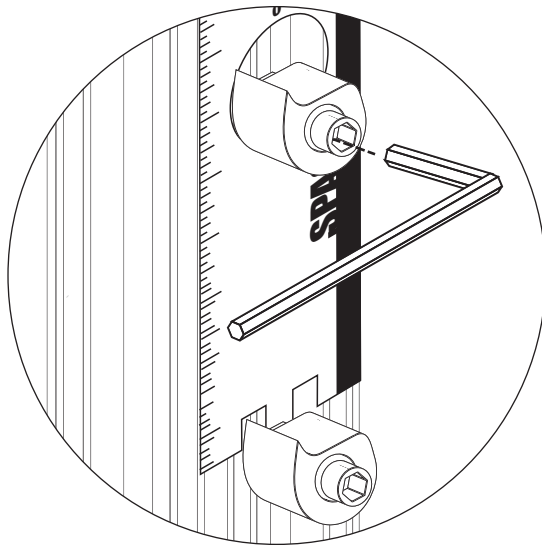


### 3 Adjust Shelf Pegs & Add Shelves

#### A.

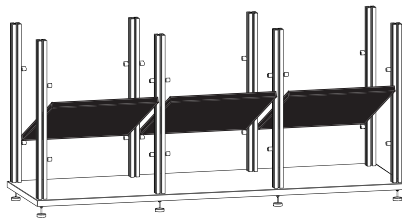
##### Adjusting Shelves

Insert peg down the post channel and position the peg through the Spacer and tighten. You may also consider using books or CD's for shelf spacing.



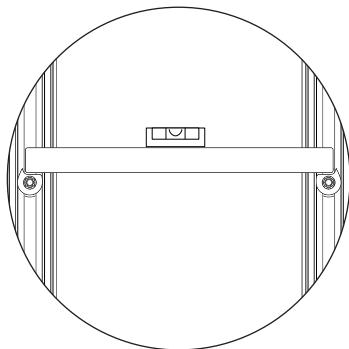
#### B. Placing Shelf

Place shelves from the bottom up. Angle the shelf in between the front post and set on top of shelf pegs and heavy duty brackets.



#### C. Fine Tuning

Use the bubble level to precisely adjust the shelves. Be sure to level both side to side as well as front to back. Use the hex key to tighten each peg.

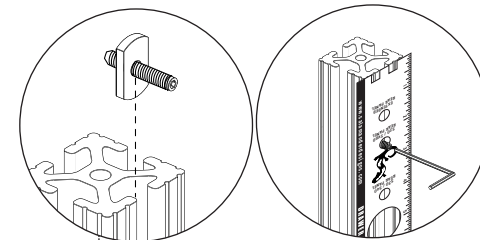


### 4 Attach Rear Panel & Top Shelf

#### A. Insert & Align Studs

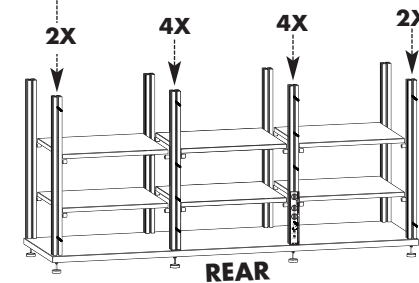
Combine the 1" threaded studs with the flat nuts. Slide hardware into rear posts.

Use the Spacer Tool to align top and bottom studs.



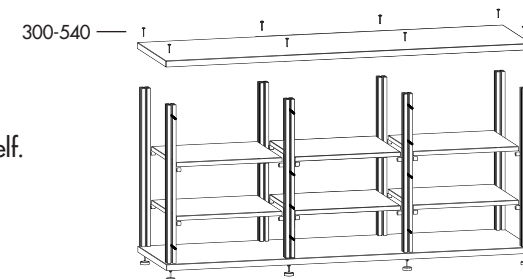
##### Side Panels

Before enclosing the unit with the top shelf install side panels (if applicable). See Side Panel Instructions



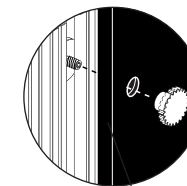
#### B. Install Top

Insert the top 8 connector bolts and tighten down top shelf.



#### C. Secure Rear Panel

Place panels and secure thumb nuts to finish rear panel installation.



\* Use holes to guide the studs.



##### TIP

To ease installation of rear panels first remove any drawers and/or doors and gently place the unit face down on the floor to improve aligning of panels.

