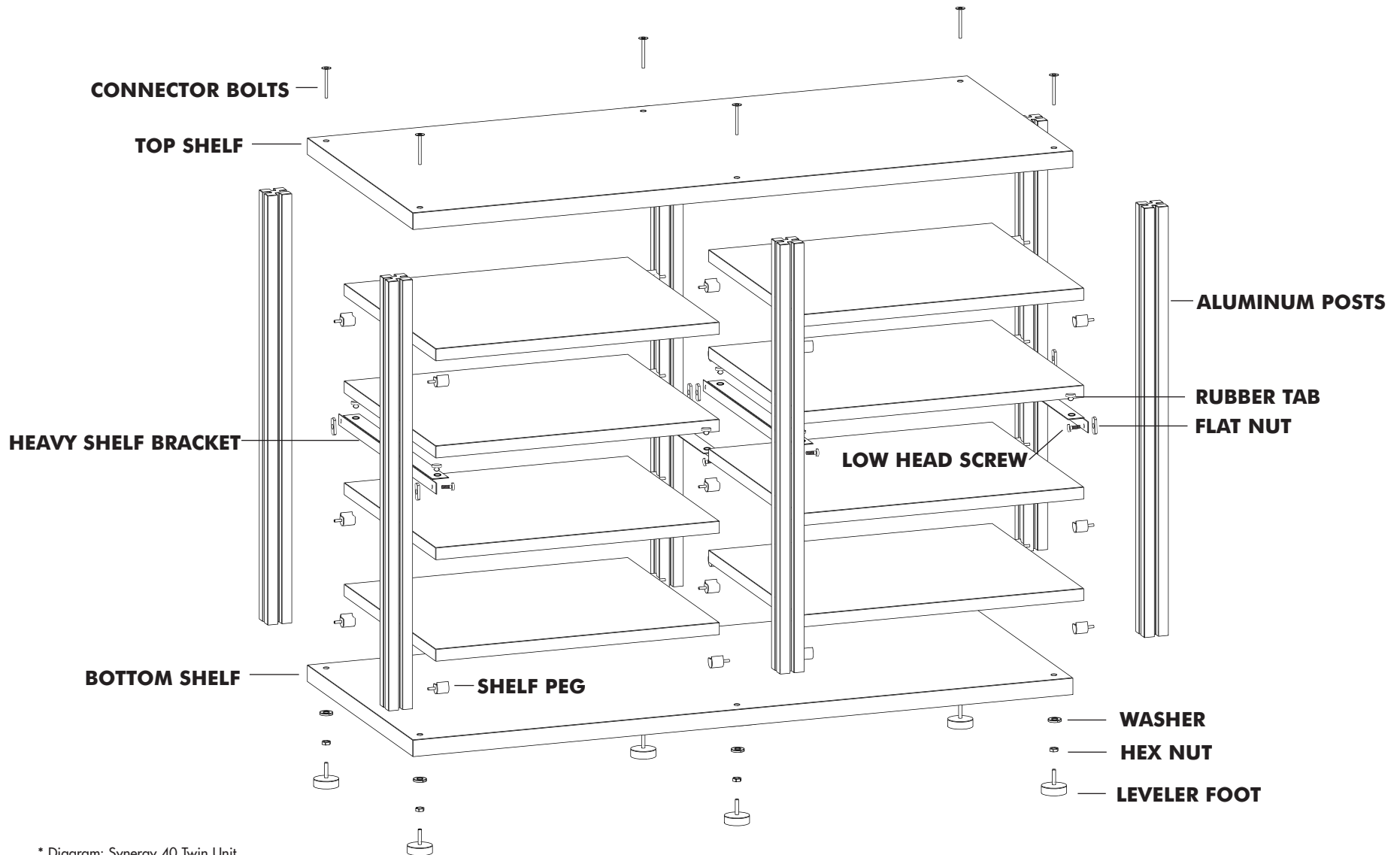


SYNERGY TWIN UNIT - SN20 / SN30 / SN40



WARNING: If you are installing accessories such as doors or drawers to the base unit, read all instructions for the accessory and install in conjunction with these instructions.



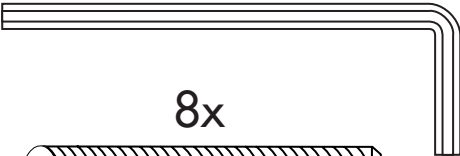
* Diagram: Synergy 40 Twin Unit

Parts

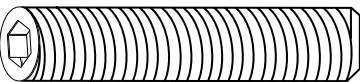
- 6 - Aluminum Posts Adjustable Shelf (SN20 - 2) • (SN30 - 4) • (SN40 - 8)
- 1 - Top Shelf Heavy Duty Shelf Bracket (SN40 - 4)
- 1 - Bottom Shelf 1 - Spacer Tool
- 2 - Rear Panels

Rear Panel Bag - PHK-240

2x (400-070) - 1/8" Hex Key

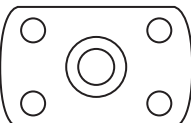


8x

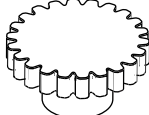


(300-510) - Stud

8x 8x



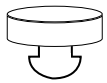
(300-560) - Flat Nut



(300-530) - ThumbNut

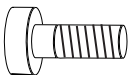
Heavy Shelf Bracket
PHK-150 (Only SN40)

8x



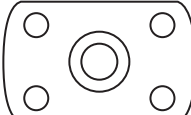
(300-610)
Rubber Tab

8x



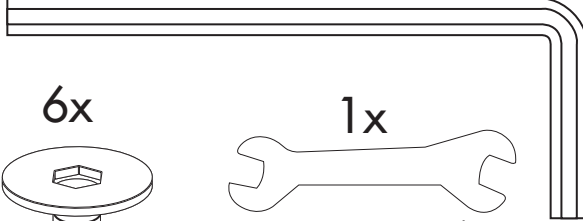
(300-490)
Low Head Screw

8x

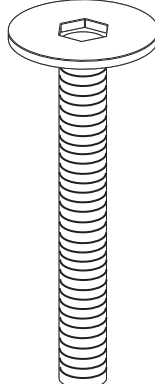


(300-560) - Flat Nut

1x (400-060) - 3/16" Hex Key

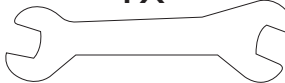


6x



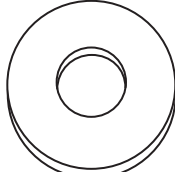
(300-540)
Connector Bolt

1x



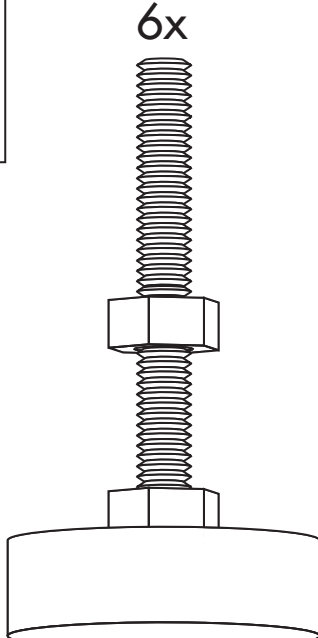
(400-035) - Wrench

6x




(300-470)
Washer

6x



(P-300-320) - Leveler Foot

1x



(P-400-040) - Level

(PHK-380)
Shelf Peg "A" - Left
SN20 - 4x
SN30 - 8x
SN40 - 12x

(PHK-370)
Shelf Peg "B" - Right
SN20 - 4x
SN30 - 8x
SN40 - 12x



Limited Warranty

For five full years Salamander Designs Ltd will repair or replace, at our option, any product defective in materials or craftsmanship. Salamander Designs Ltd. will not be responsible for any damage to or destruction of other equipment consequential to our equipment failure. Defective product must be given Return Authorization and is to be returned to the factory prepaid, in the original carton and packing material. Any damage incurred in a shipment not in original packaging shall be the responsibility of the owner. Warranty repairs will be returned prepaid, via UPS within the continental U.S.A. only.

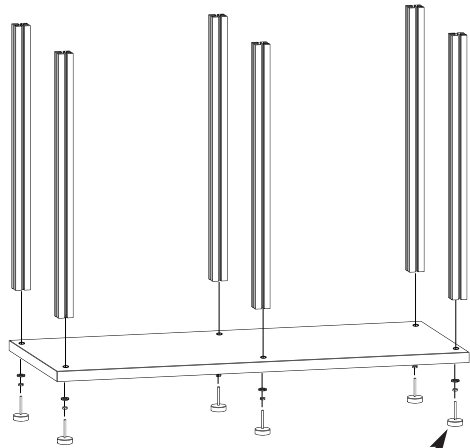
Salamander Designs Ltd. 800-535-5659

www.SalamanderDesigns.com

©2002 Salamander Designs Ltd.

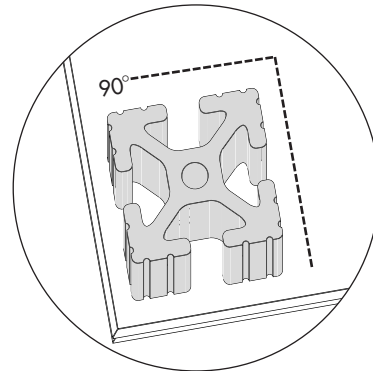
1 Connect Posts to Bottom Shelf

WARNING: Tighten by screwing the leveler foot NOT the post.



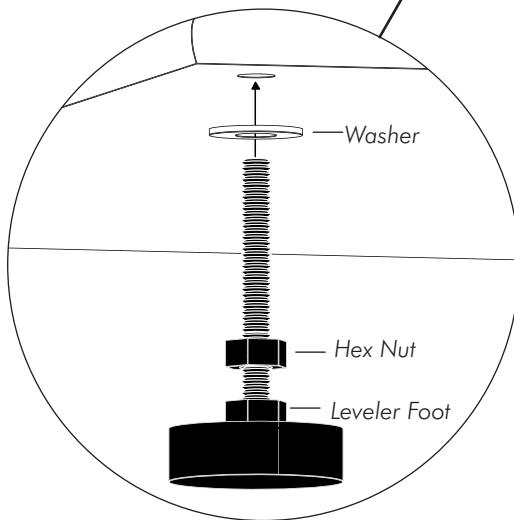
A. Square Post

Square the post to the bottom shelf.



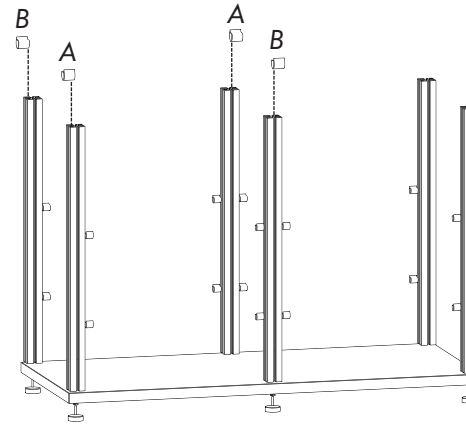
B. Connect Post

Screw foot with metal washer through bottom shelf and onto the end of an extruded post. Hand tighten fully then use wrench on hex nut to tighten nut onto underside of shelf.



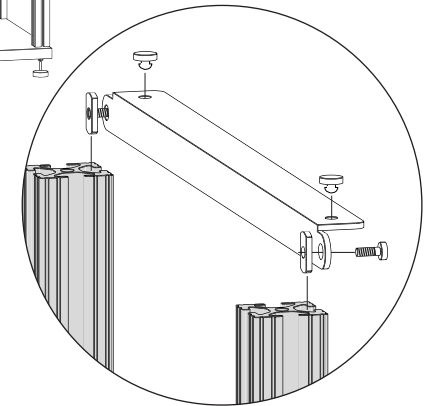
2 Add Shelf Pegs

WARNING: If you are installing an optional door or drawer refer to specific instructions before proceeding.



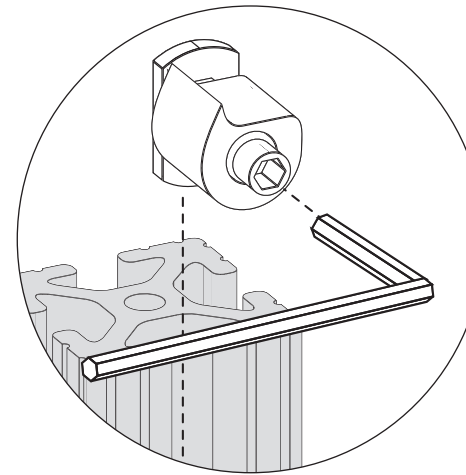
A.

Insert all shelf pegs and heavy shelf brackets (SN40 only) down each post.



B.

Gently tighten pegs and brackets with the hex key to desired position.

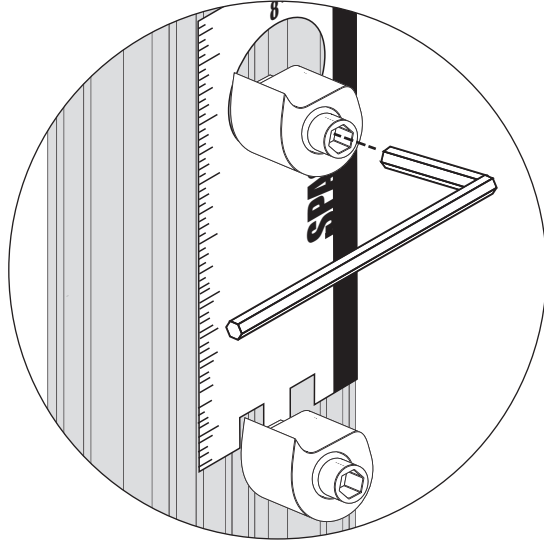


3 Adjust Shelf Pegs / Add Shelves

A.

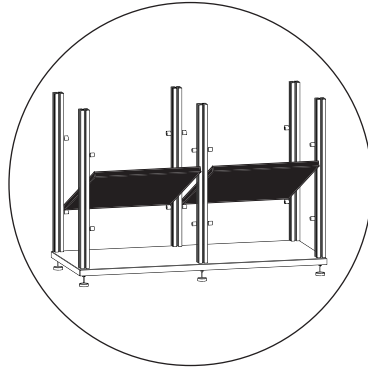
Adjusting Shelves

Insert peg down the post channel and position the peg through the Spacer and tighten. You may also consider using books or CD's for shelf spacing.



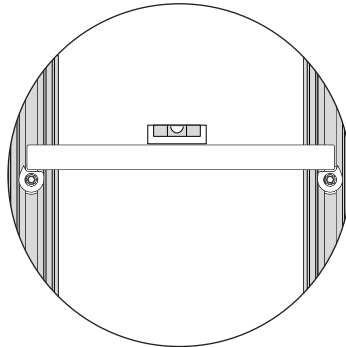
B. Placing Shelf

Place shelves from the bottom up. Angle the shelf in between the front post and set on top of shelf pegs and heavy duty brackets.



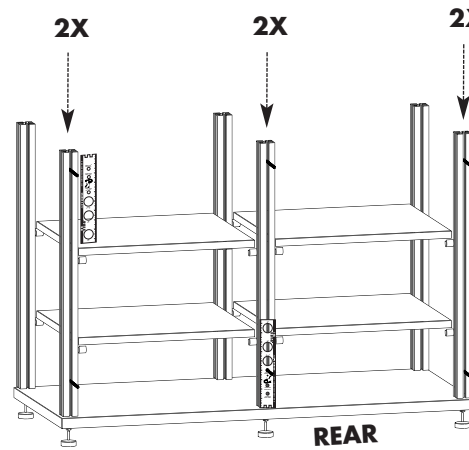
C. Fine Tuning

Use the bubble level to precisely adjust the shelves. Be sure to level both side to side as well as front to back. Use the hex key to tighten each peg.



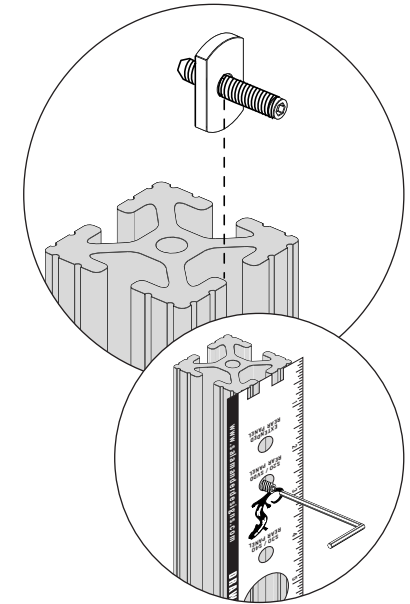
4 Attach Rear Panel

2X 2X 2X



A. Insert Hardware

Combine the 1" threaded studs with the flat nuts. Slide hardware into rear channel



STOP

Side Panels

Before enclosing the unit with the top shelf install side panels (if applicable). See Side Panel Instructions

B. Secure Rear Panel

Secure thumb nuts to finish panel installation.

C. Install Top

Insert the four connector bolts and tighten shelf down.

