



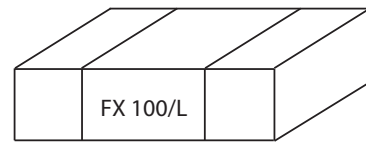
# SYNERGY TRIPLE PANEL MOUNT

# SL/PM2

## BEFORE YOU BEGIN

- This TV mount is intended for use with Flat-Panel TV 60" or smaller and a maximum weight of 175lbs.
- Use with products heavier than the maximum weight or larger than the size indicated may result in instability causing possible injury.
- Carefully inspect the mount for shipping damage or missing parts. If any damage is apparent or you are missing parts contact Salamander Designs at 800-535-5659.
- Read ALL instructions before assembly. If you have any questions, please contact your installation contractor or Salamander Designs.
- Mounts must be attached as specified in assembly instructions. Improper installation can result in serious personal injury.

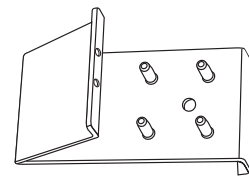
## PARTS



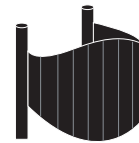
Fx 100/L Mount Kit



2 Extruded Posts



R (2x) 301-422 Base Plate

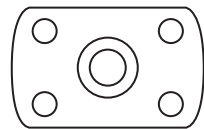


S (5x) 301-600 Wire Manager

## SYNERGY TRIPLE MOUNT HARDWARE BAG -PHK-516



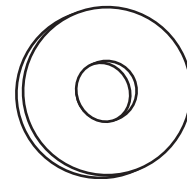
F (8x) 300-485  
Button Head Screw



G (16x) 300-560  
Flat Nut



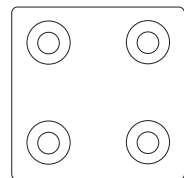
K (2x) 300-555  
2" Button Head



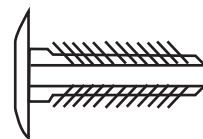
L (2x) 300-470  
Metal Washer



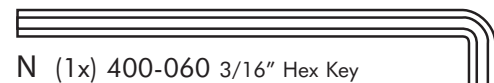
M (8x) 300-505  
Cup Point Set Screw



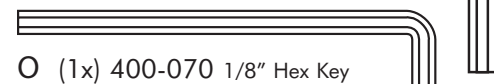
P (2x) 301-425  
Post Cover



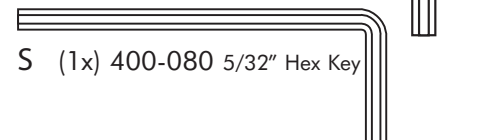
Q (8x) 301-575  
Plastic Fasteners



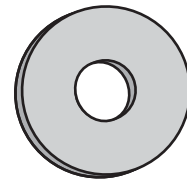
N (1x) 400-060 3/16" Hex Key



O (1x) 400-070 1/8" Hex Key



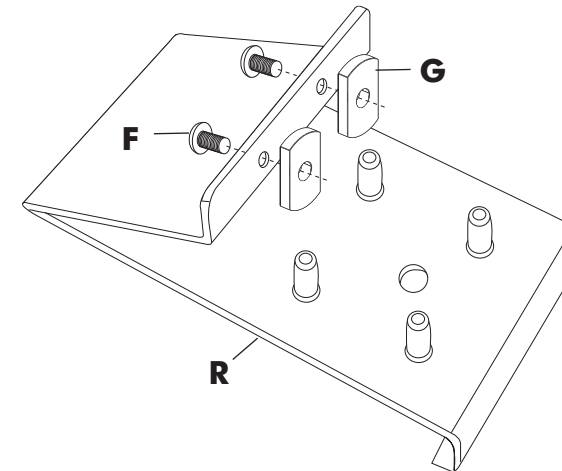
S (1x) 400-080 5/32" Hex Key



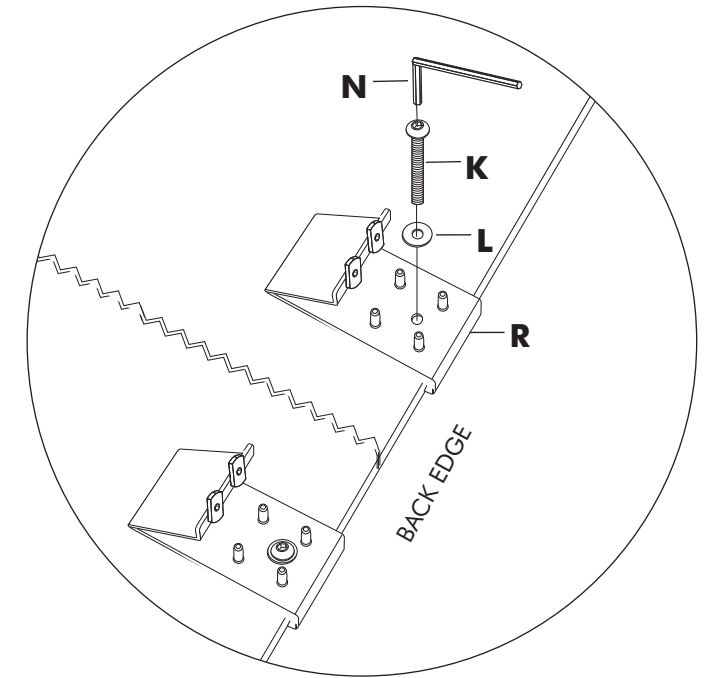
R (4x) 300-468  
Black Washer

## 1. INSTALL BASE PLATES

A. Loosely assemble 2 flat nuts (G) with 2 button head screws (F) through each base plate (R).

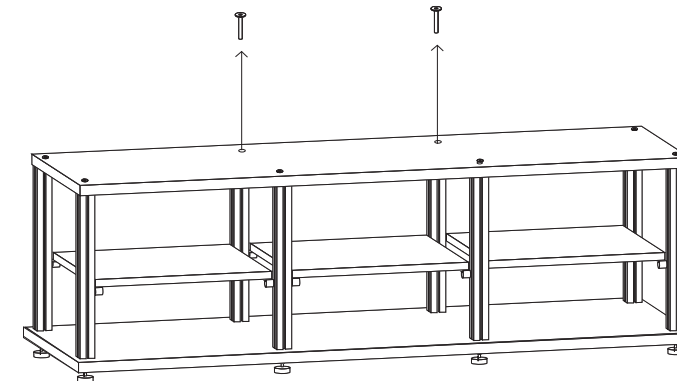


B. Secure the base plates (R) to the two rear center posts with the 2" button head screws (K) and washers (L). Tighten firmly with hex key (J).



### NOTE:

If installing mount to an assembled triple unit, remove the two rear center connector bolts. Replace with base plates (R).



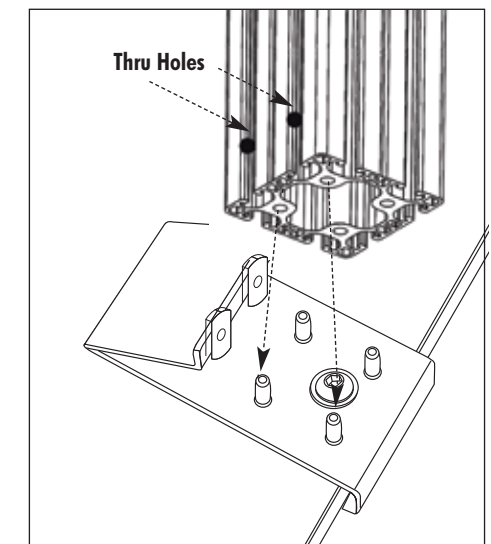
## 2. INSTALL POSTS

A. Align thru holes in posts over the pins in the base plates.

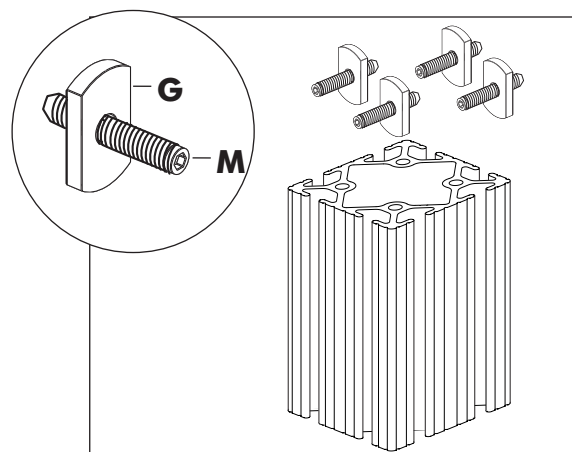
Guide the flat nuts (G) through the front of the posts.

If necessary, use rubber mallet or other device to ensure the posts fits snugly against the top surface.

**Tighten the screws (F) with hex key (H).**

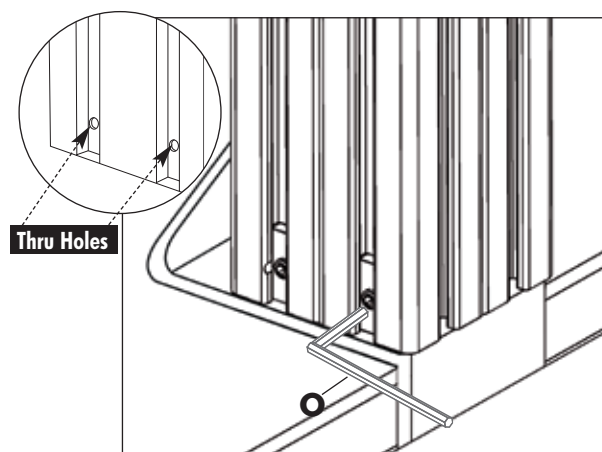


B. Assemble 8 flat nuts (G) with 8 set screws (M) and drop into the left and right sides of each post.



C. Position the set screws (M) into the thru holes and tighten through to the base plate pins. This will lock the posts to the top of your Synergy cabinet.

**Tighten firmly with hex key (O).**



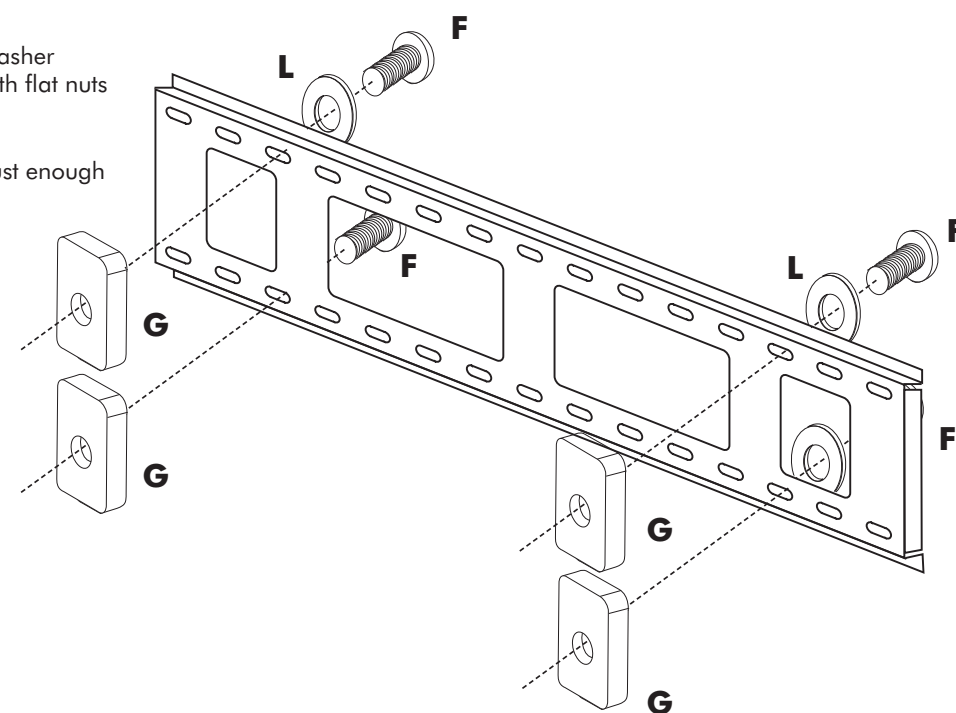
### 3. ATTACH TV BRACKETS TO TV

Refer to Step 2 of the Flexo 100/L Manual.

### 4. ASSEMBLE POST BRACKET

Assemble 1 Button Head Screw with Washer through the indicated slot (4 places) with flat nuts loosely on each.

Thread the screws loosely to the nuts just enough to ensure the nut does not fall off.

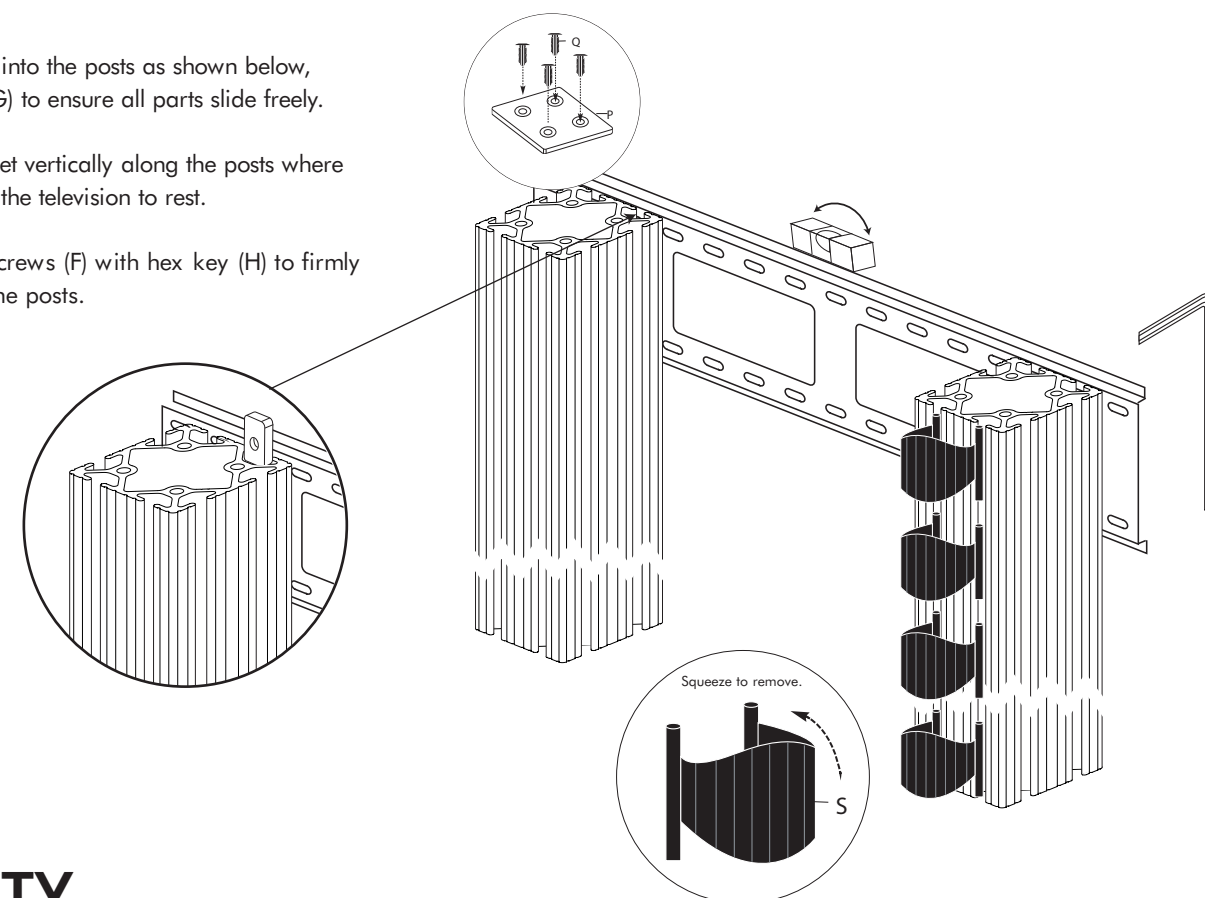


### 5. INSTALL POST BRACKET WIRE MANAGERS & CAPS

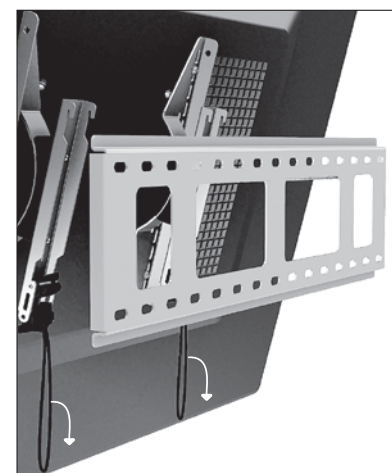
Slide the post bracket into the posts as shown below, guiding the flat nuts (G) to ensure all parts slide freely.

Position the post bracket vertically along the posts where you wish the center of the television to rest.

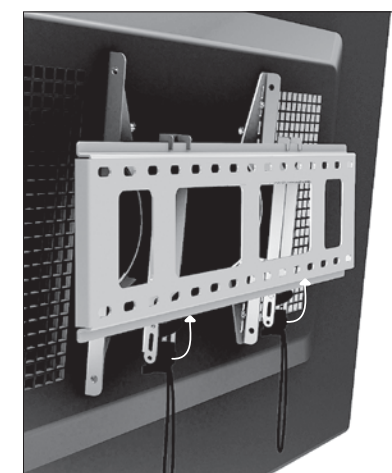
Tighten button head screws (F) with hex key (H) to firmly set the bracket onto the posts.



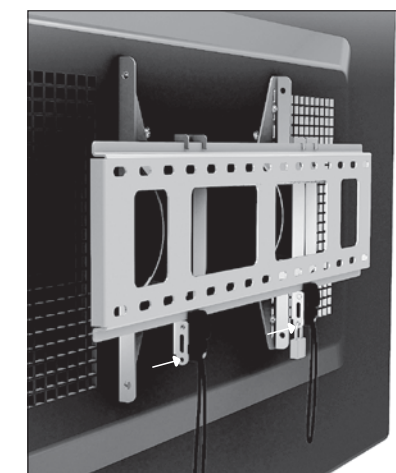
### 6. HANG TV



**A**  
Pull on black cord to unlock Click Fasteners and hook TV Brackets (II) onto Wall Bracket (I) from top.



**B**  
Center TV Brackets (II) on Wall Bracket (I) and push black Click Fasteners up into lock position.



**C**  
Install Pad Lock (IV).

**LIMITED WARRANTY-** For five full years Salamander Designs Ltd. will repair or replace, at our option, any product defective in materials or craftsmanship. Salamander Designs Ltd. will not be responsible for any damage to or destruction of other equipment consequential to our equipment failure. Defective product must be given Return Authorization and is to be returned to the factory prepaid, in the original carton and packing material. Any damage incurred in a shipment not in original packaging shall be the responsibility of the owner. Warranty repairs will be returned prepaid, via UPS within the continental U.S.A. only.