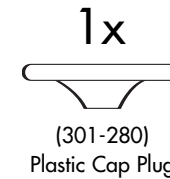
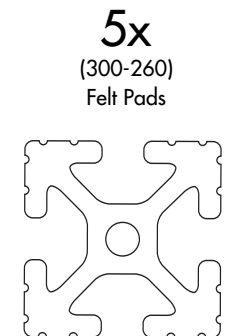
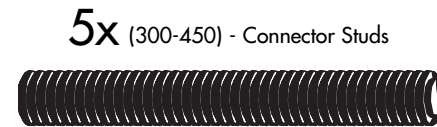
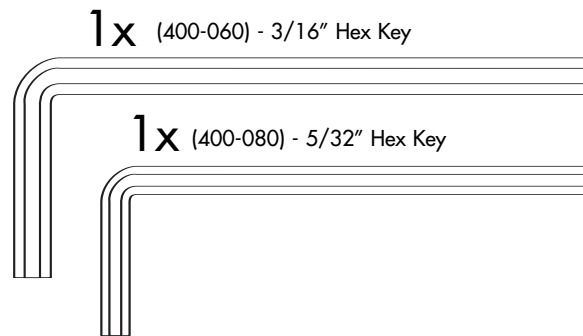


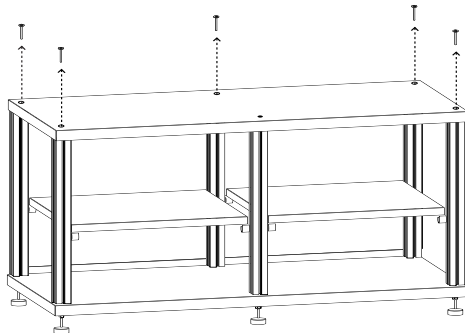
## Parts

- 5 - Aluminum Posts
- 1 - Top Shelf
- 2 - Rear Panels (8.5" Risers Only.  
Not available in custom sizes.)



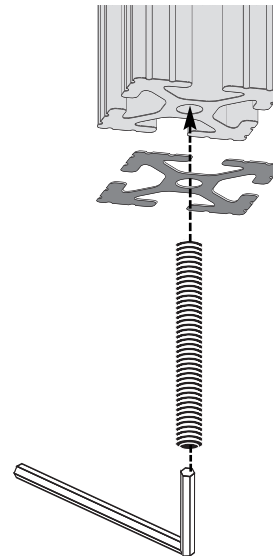
### 1 Remove Top Bolts

If assembled, remove the 5 connector bolts securing the top shelf. Set aside for Step 5.



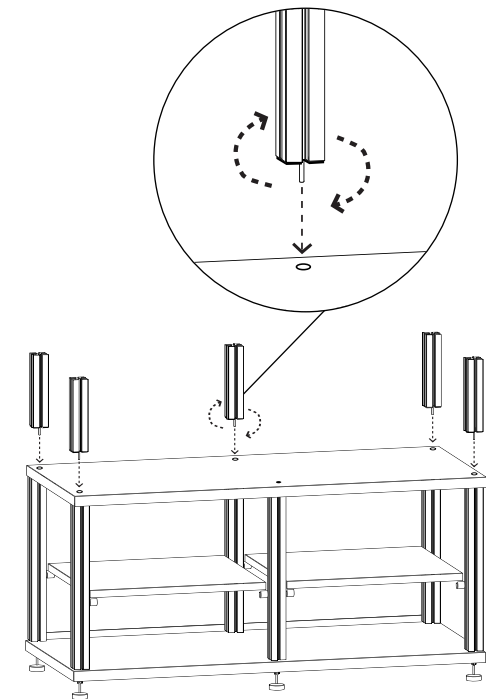
### 2 Install Connector Studs

- A. Screw threaded studs into the ends of the posts and tighten with hex key.
- B. Stick felt pads to underside of post, this will prevent marring the surface of the top shelf.



### 3 Attach Riser Posts

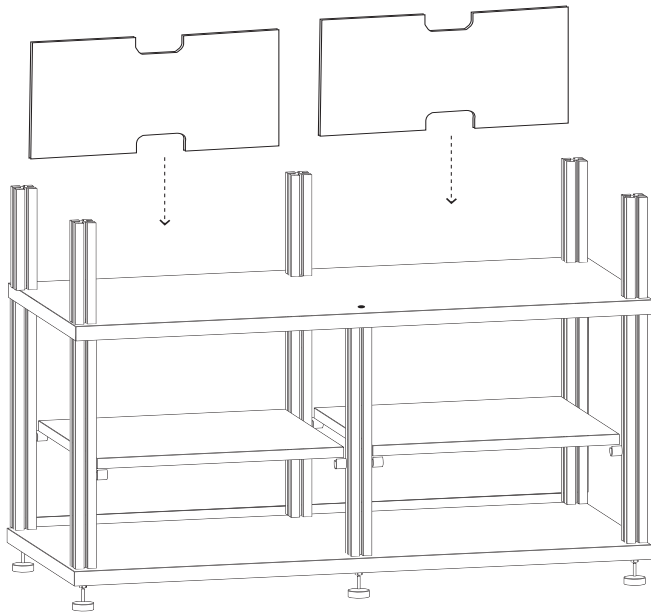
Screw the posts into the base unit. Be sure to square the post with the shelf.



## 4 Rear Panels

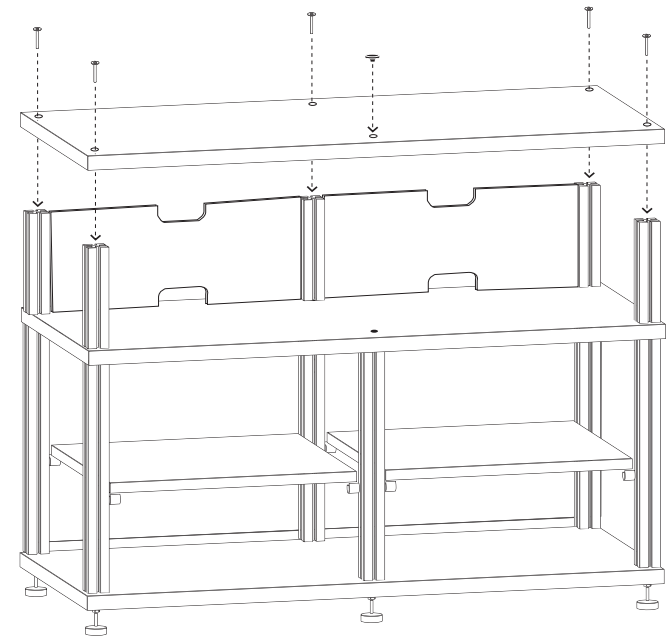
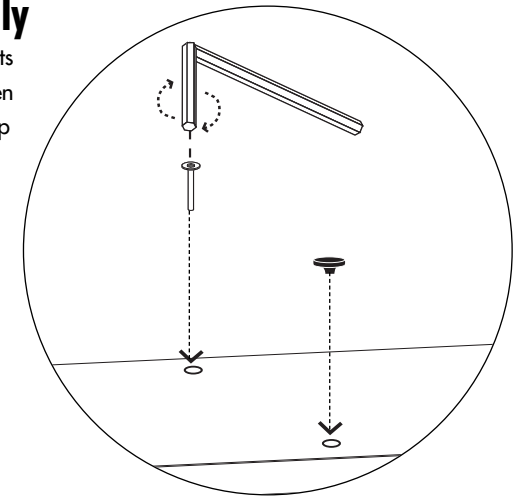
Slide the rear panels down the rear posts.

**NOTE:** Rears are only available for 8.5" Risers.  
Not included with custom sized posts (SNR10,  
SNR11 or SNR12).



## 5 Final Assembly

Insert 5 Connector bolts from Step 2 and tighten shelf down & place Cap Plug into center hole.



### Limited Warranty

For five full years Salamander Designs Ltd will repair or replace, at our option, any product defective in materials or craftsmanship. Salamander Designs Ltd. will not be responsible for any damage to or destruction of other equipment consequential to our equipment failure. Defective product must be given Return Authorization and is to be returned to the factory prepaid, in the original carton and packing material. Any damage incurred in a shipment not in original packaging shall be the responsibility of the owner. Warranty repairs will be returned prepaid, via UPS within the continental U.S.A. only.

**Salamander Designs Ltd. 800-535-5659 • [www.SalamanderDesigns.com](http://www.SalamanderDesigns.com)**

©2003 Salamander Designs Ltd. ® Synergy System, Patented.

Doc No. 500-770 / v7.05 / 2 of 2